



**A320**

**AIRCRAFT CHARACTERISTICS  
AIRPORT AND MAINTENANCE PLANNING**

**AC**

The content of this document is the property of Airbus.

It is supplied in confidence and commercial security on its contents must be maintained.

It must not be used for any purpose other than that for which it is supplied, nor may information contained in it be disclosed to unauthorized persons.

It must not be reproduced in whole or in part without permission in writing from the owners of the copyright. Requests for reproduction of any data in this document and the media authorized for it must be addressed to Airbus.

© AIRBUS S.A.S. 2005. All rights reserved.

*AIRBUS S.A.S.  
Customer Services  
Technical Data Support and Services  
31707 Blagnac Cedex  
FRANCE*

**HIGHLIGHTS**

**Revision No. 43 - Dec 01/23**

LOCATIONS	CHG CODE	DESCRIPTIONS OF CHANGE
<u>CHAPTER 1</u> Section 1-2 Subject 1-2-0  Glossary	R	
<u>CHAPTER 2</u> Section 2-9 Subject 2-9-0  Landing Gear	R	
<u>CHAPTER 5</u> Section 5-8 Subject 5-8-0  Ground Towing Requirements	R	
FIGURE Ground Towing Requirements	N	ILLUSTRATION ADDED
FIGURE Ground Towing Requirements - PW 1100G Engine	N	ILLUSTRATION ADDED

**LIST OF EFFECTIVE CONTENT**

**Revision No. 43 - Dec 01/23**

CONTENT	CHG CODE	LAST REVISION DATE
CHAPTER 1 Subject 1-1-0		
Purpose		Mar 01/22
Subject 1-2-0	R	Dec 01/23
Glossary		
CHAPTER 2 Subject 2-1-1		
General Aircraft Characteristics Data		May 01/23
Subject 2-2-0 General Aircraft Dimensions		May 01/14
FIGURE General Aircraft Dimensions - Wing Tip Fence		Feb 01/18
FIGURE General Aircraft Dimensions		May 01/15
Subject 2-3-0 Ground Clearances		May 01/15
FIGURE Ground Clearances - Wing Tip Fence		May 01/23
FIGURE Ground Clearances - Sharklet		May 01/23
FIGURE Ground Clearances		Dec 01/18
FIGURE Ground Clearances - Trailing Edge Flaps - Extended		May 01/15
FIGURE Ground Clearances - Flap Tracks - Extended		May 01/15

CONTENT	CHG CODE	LAST REVISION DATE
FIGURE Ground Clearances - Trailing Edge Flaps - Extended		May 01/15
FIGURE Ground Clearances - Flap Tracks - Extended		May 01/15
FIGURE Ground Clearances - Flap Tracks - Retracted		May 01/15
FIGURE Ground Clearances - Flap Tracks - 1 + F		May 01/15
FIGURE Ground Clearances - Aileron Down		May 01/15
FIGURE Ground Clearances - Aileron Up		May 01/15
FIGURE Ground Clearances - Spoilers - Extended		May 01/15
FIGURE Ground Clearances - Leading Edge Slats - Extended		May 01/15
Subject 2-4-1		
Interior Arrangements - Plan View		May 01/16
FIGURE Interior Arrangements - Plan View - Typical Configuration - Single-Class, High Density		May 01/16
FIGURE Interior Arrangements - Plan View - Typical Configuration - Two-Class		May 01/16
Subject 2-5-0		
Interior Arrangements - Cross Section		May 01/15
FIGURE Interior Arrangements - Cross Section - Economy Class, 6 Abreast - Wider Aisle		May 01/15
FIGURE Interior Arrangements - Cross Section - First-Class		May 01/15
Subject 2-6-0		

CONTENT	CHG CODE	LAST REVISION DATE
Cargo Compartments		May 01/15
FIGURE Cargo Compartments - Locations and Dimensions		May 01/15
FIGURE Cargo Compartments - Loading Combinations		May 01/15
Subject 2-7-0		
Door Clearances		Mar 01/22
FIGURE Door Identification and Location - Door Identification		Feb 01/18
FIGURE Doors Clearances - Forward Passenger/Crew Doors		May 01/15
FIGURE Doors Clearances - Emergency Exits		May 01/15
FIGURE Doors Clearances - Aft Passenger/Crew Doors		May 01/15
FIGURE Door Clearances - Forward Cargo Compartment Door		May 01/15
FIGURE Door Clearances - Forward Cargo Compartment Door		May 01/15
FIGURE Doors Clearances - Aft Cargo Compartment Door		May 01/15
FIGURE Doors Clearances - Bulk Cargo Compartment Door		May 01/15
FIGURE Doors Clearances - Main Landing Gear Doors		May 01/15
FIGURE Doors Clearances - Main Landing Gear Doors (Bogie)		May 01/15
FIGURE Doors Clearances - Radome		May 01/15
FIGURE Doors Clearances - APU and Nose Landing Gear Doors		May 01/15

CONTENT	CHG CODE	LAST REVISION DATE
FIGURE Doors Clearances - Airstairs - Location		Mar 01/22
FIGURE Doors Clearances - Airstairs - Dimensions		Mar 01/22
FIGURE Doors Clearances - Airstairs - Location for Operating the Airstairs		Mar 01/22
FIGURE Operation of the Airstairs		Mar 01/22
Subject 2-8-0		
Escape Slides		Dec 01/18
FIGURE Escape Slides - Location		Feb 01/18
FIGURE Escape Slides - Dimensions		Dec 01/15
Subject 2-9-0		
Landing Gear	R	Dec 01/23
FIGURE Landing Gear - Main Landing Gear - Twin-Wheel		May 01/14
FIGURE Landing Gear - Main Landing Gear Dimensions - Twin-Wheel		May 01/14
FIGURE Landing Gear - Nose Landing Gear		Mar 01/22
FIGURE Operation of Airstairs for ACJ		Mar 01/22
FIGURE Landing Gear - Nose Landing Gear Dimensions		May 01/14
Landing Gear Maintenance Pits		May 01/14
FIGURE Landing Gear Maintenance Pits - Maintenance Pit Envelopes		May 01/14

CONTENT	CHG CODE	LAST REVISION DATE
FIGURE Landing Gear Maintenance Pits - Maintenance Pit Envelopes Subject 2-10-0		May 01/14
Exterior Lighting		May 01/23
FIGURE Exterior Lighting		May 01/14
FIGURE Exterior Lighting		May 01/23
FIGURE Exterior Lighting		May 01/14
FIGURE Exterior Lighting		May 01/14
FIGURE Exterior Lighting		May 01/14
FIGURE Exterior Lighting		May 01/23
Subject 2-11-0		May 01/14
Antennas and Probes Location		May 01/14
FIGURE Antennas and Probes - Location		May 01/14
Subject 2-12-0		Dec 01/15
Auxiliary Power Unit		Dec 01/15
FIGURE Auxiliary Power Unit - Access Doors		Dec 01/15
FIGURE Auxiliary Power Unit - General Layout		Dec 01/15
Engine and Nacelle		May 01/23
FIGURE Power Plant Handling - Major Dimensions - CFM56 Series Engine		May 01/14

CONTENT	CHG CODE	LAST REVISION DATE
FIGURE Power Plant Handling - Major Dimensions - CFM56 Series Engine		May 01/14
FIGURE Power Plant Handling - Fan Cowls - CFM56 Series Engine		May 01/17
FIGURE Power Plant Handling - Thrust Reverser Cowls - CFM56 Series Engine		May 01/17
FIGURE Power Plant Handling - Major Dimensions - IAE V2500 Series Engine		May 01/14
FIGURE Power Plant Handling - Major Dimensions - IAE V2500 Series Engine		May 01/14
FIGURE Power Plant Handling - Fan Cowls - IAE V2500 Series Engine		May 01/17
FIGURE Power Plant Handling - Thrust Reverser Halves - IAE V2500 Series Engine		May 01/17
FIGURE Power Plant Handling - Major Dimensions - PW 1100G Engine		May 01/17
FIGURE Power Plant Handling - Fan Cowls - PW 1100G Engine		May 01/17
FIGURE Power Plant Handling - Thrust Reverser Halves - PW 1100G Engine		May 01/14
FIGURE Power Plant Handling - Major Dimensions - CFM LEAP-1A Engine		May 01/15
FIGURE Power Plant Handling - Major Dimensions - CFM LEAP-1A Engine		May 01/17
Subject 2-13-0		
Leveling, Symmetry and Alignment		May 01/14



CONTENT	CHG CODE	LAST REVISION DATE
FIGURE Location of the Leveling Points Subject 2-14-0		May 01/14
Jacking for Maintenance		Mar 01/22
FIGURE Jacking for Maintenance - Jacking Point Locations		Mar 01/22
FIGURE Jacking for Maintenance - Jacking Point Locations		Mar 01/22
FIGURE Jacking for Maintenance - Forward Jacking Point		May 01/14
FIGURE Jacking for Maintenance - Wing Jacking Points		May 01/15
FIGURE Jacking for Maintenance - Safety Stay		May 01/15
FIGURE Jacking for Maintenance - Jacking Design		Mar 01/22
FIGURE Jacking for Maintenance - Jacking Design		May 01/23
FIGURE Jacking for Maintenance - Location of Shoring Cradles		May 01/14
Jacking of the Landing Gear		May 01/17
FIGURE Jacking of the Landing Gear - MLG Jacking Point Location - Twin Wheels		May 01/14
FIGURE Jacking of the Landing Gear - MLG Jacking with Cantilever Jack - Twin Wheels		May 01/14
FIGURE Jacking of the Landing Gear - MLG Jacking Point Location Bogie		May 01/14
FIGURE Jacking of the Landing Gear - MLG Jacking Point Location Bogie		May 01/14

CONTENT	CHG CODE	LAST REVISION DATE
FIGURE Jacking of the Landing Gear - MLG Jacking Point Location Bogie		May 01/14
FIGURE Jacking of the Landing Gear - NLG Jacking - Point Location		May 01/14
FIGURE Jacking of the Landing Gear - Maximum Load Capacity to Lift Each Jacking Point		May 01/17
FIGURE Jacking of the Landing Gear - Maximum Load Capacity to Lift Each Jacking Point		May 01/17
<u>CHAPTER 3</u> Subject 3-1-0		
General Information		May 01/14
Subject 3-2-1		
Payload/Range - ISA Conditions		May 01/15
FIGURE Payload/Range - ISA Conditions		May 01/15
FIGURE Payload/Range - ISA Conditions - Sharklet		May 01/15
FIGURE Payload/Range - ISA Conditions		Dec 01/18
Subject 3-3-1		
Take-Off Weight Limitation - ISA Conditions		Dec 01/21
FIGURE Take-Off Weight Limitation - ISA Conditions - CFM56 Series Engine		May 01/14
FIGURE Take-Off Weight Limitation - ISA Conditions - IAE V2500 Series Engine		May 01/14
FIGURE Take-Off Weight Limitation - ISA Conditions - LEAP-1A Series Engine		Dec 01/18

CONTENT	CHG CODE	LAST REVISION DATE
FIGURE Take-Off Weight Limitation - ISA Conditions - PW Engines Subject 3-3-2		Dec 01/21
Take-Off Weight Limitation - ISA +15°C (+27°F) Conditions		Dec 01/21
FIGURE Take-Off Weight Limitation - ISA +15°C (+27°F) Conditions - CFM56 Series Engine		Dec 01/18
FIGURE Take-Off Weight Limitation - ISA +15°C (+27°F) Conditions - IAE V2500 Series Engine		Dec 01/18
FIGURE Take-Off Weight Limitation - ISA +15°C (+27°F) Conditions - LEAP-1A Series Engine		Dec 01/18
FIGURE Take-Off Weight Limitation - ISA +15°C (+27°F) Conditions - PW Engines Subject 3-3-3		Dec 01/21
Aerodrome Reference Code Subject 3-4-1		Nov 01/19
Landing Field Length - ISA Conditions		Dec 01/21
FIGURE Landing Field Length - ISA Conditions - CFM56 Series Engine		May 01/14
FIGURE Landing Field Length - ISA Conditions - IAE V2500 Series Engine		May 01/14
FIGURE Landing Field Length - ISA Conditions - Leap Engines		Dec 01/21
FIGURE Landing Field Length - ISA Conditions - PW Engines Subject 3-5-0		Dec 01/21
Final Approach Speed		May 01/17
CHAPTER 4		

CONTENT	CHG CODE	LAST REVISION DATE
Subject 4-1-0 General Information		May 01/14
Subject 4-2-0 Turning Radii		Dec 01/15
FIGURE Turning Radii, No Slip Angle - Dual Landing Gear (Sheet 1)		Dec 01/15
FIGURE Turning Radii, No Slip Angle - Dual Landing Gear (Sheet 2)		Dec 01/15
FIGURE Turning Radii, No Slip Angle - Bogie Landing Gear (Sheet 1)		Dec 01/15
FIGURE Turning Radii, No Slip Angle - Bogie Landing Gear (Sheet 2)		Dec 01/15
Subject 4-3-0 Minimum Turning Radii		Dec 01/15
FIGURE Minimum Turning Radii		May 01/14
Subject 4-4-0 Visibility from Cockpit in Static Position		May 01/14
FIGURE Visibility from Cockpit in Static Position		Dec 01/18
FIGURE Binocular Visibility Through Windows from Captain Eye Position		May 01/14
Subject 4-5-0 Runway and Taxiway Turn Paths		May 01/14
Subject 4-5-1 135° Turn - Runway to Taxiway		May 01/14

CONTENT	CHG CODE	LAST REVISION DATE
FIGURE 135° Turn - Runway to Taxiway - Cockpit Over Centerline Method		Dec 01/18
FIGURE 135° Turn - Runway to Taxiway - Judgemental Oversteering Method		Dec 01/18
Subject 4-5-2		
90° Turn - Runway to Taxiway		May 01/14
FIGURE 90° Turn - Runway to Taxiway - Cockpit Over Centerline Method		Dec 01/18
FIGURE 90° Turn - Runway to Taxiway - Judgemental Oversteering Method		Dec 01/18
Subject 4-5-3		
180° Turn on a Runway		Dec 01/18
FIGURE 180° Turn on a Runway - Edge of Runway Method		Dec 01/18
FIGURE 180° Turn on a Runway - Edge of Runway Method		Dec 01/18
Subject 4-5-4		
135° Turn - Taxiway to Taxiway		May 01/14
FIGURE 135° Turn - Taxiway to Taxiway - Cockpit Over Centerline Method		Dec 01/18
Subject 4-5-5		
90° Turn - Taxiway to Taxiway		May 01/14
FIGURE 90° Turn - Taxiway to Taxiway - Cockpit Over Centerline Method		Dec 01/18
Subject 4-6-0		

CONTENT	CHG CODE	LAST REVISION DATE
Runway Holding Bay (Apron)		May 01/14
FIGURE Runway Holding Bay (Apron)		May 01/14
Subject 4-7-0		
Minimum Line-Up Distance Corrections		May 01/14
FIGURE Minimum Line-Up Distance Corrections - 90° Turn on Runway Entry		May 01/14
FIGURE Minimum Line-Up Distance Corrections - 180° Turn on Runway Turn Pad		May 01/14
FIGURE Minimum Line-Up Distance Corrections - 180° Turn on Runway Width		May 01/14
Subject 4-8-0		
Aircraft Mooring		May 01/14
FIGURE Aircraft Mooring		May 01/14
<u>CHAPTER 5</u>		
Subject 5-1-1		
Aircraft Servicing Arrangements		May 01/14
Subject 5-1-2		
Typical Ramp Layout - Open Apron		May 01/14
FIGURE Typical Ramp Layout - Open Apron - Bulk Loading		May 01/14
FIGURE Typical Ramp Layout - Open Apron - ULD Loading		May 01/14
Subject 5-1-3		
Typical Ramp Layout - Gate		May 01/14

CONTENT	CHG CODE	LAST REVISION DATE
FIGURE Typical Ramp Layout - Gate Subject 5-2-0		May 01/14
Terminal Operations - Full Servicing Turn Round Time		Feb 01/18
FIGURE Full Servicing Turn Round Time Chart Subject 5-3-0		Dec 01/18
Terminal Operations - Outstation Turn Round Time		Feb 01/18
FIGURE Outstation Turn Round Time Chart Subject 5-4-1		Dec 01/18
Ground Service Connections Layout		May 01/14
FIGURE Ground Service Connections Layout Subject 5-4-2		May 01/14
Grounding (Earthing) Points		May 01/14
FIGURE Ground Service Connections - Grounding (Earthing) Points - Landing Gear		May 01/14
FIGURE Ground Service Connections - Grounding (Earthing) Points - Wing (If Installed)		May 01/14
FIGURE Ground Service Connections - Grounding (Earthing) Point - Avionics Compartment Door-Frame		May 01/14
FIGURE Ground Service Connections - Grounding (Earthing) Point - High-Pressure Connector (If Installed)		May 01/14
FIGURE Ground Service Connections - Grounding (Earthing) Point - Engine Air Intake (If Installed) Subject 5-4-3		May 01/14

CONTENT	CHG CODE	LAST REVISION DATE
Hydraulic Servicing		May 01/16
FIGURE Ground Service Connections - Green System Ground Service Panel		May 01/16
FIGURE Ground Service Connections - Blue System Ground Service Panel		May 01/16
FIGURE Ground Service Connections - Yellow System Ground Service Panel		May 01/16
FIGURE Ground Service Connections - RAT		May 01/16
Subject 5-4-4 Electrical System		May 01/15
FIGURE Ground Service Connections - External Power Receptacles		May 01/14
Subject 5-4-5 Oxygen System		May 01/14
FIGURE Ground Service Connections - Oxygen System		May 01/14
Subject 5-4-6 Fuel System		May 01/14
FIGURE Ground Service Connections - Refuel/Defuel Control Panel		May 01/14
FIGURE Ground Service Connections - Refuel/Defuel Couplings		May 01/14
FIGURE Ground Service Connections - Overwing Gravity-Refuel Cap (If Installed)		May 01/14



CONTENT	CHG CODE	LAST REVISION DATE
FIGURE Ground Service Connections - Overpressure Protectors and NACA Vent Intake		May 01/14
Subject 5-4-7		
Pneumatic System		May 01/14
FIGURE Ground Service Connections - LP and HP Ground Connectors		May 01/14
Subject 5-4-8		
Oil System		Dec 01/21
FIGURE Ground Service Connections - Engine Oil Tank – CFM56 Series Engine		May 01/14
FIGURE Ground Service Connections - IDG Oil Tank – CFM56 Series Engine		May 01/14
FIGURE Ground Service Connections - Starter Oil Tank – CFM56 Series Engine		May 01/14
FIGURE Ground Service Connections - Engine Oil Tank – IAE V2500 Series Engine		May 01/14
FIGURE Ground Service Connections - IDG Oil Tank – IAE V2500 Series Engine		May 01/14
FIGURE Ground Service Connections - Starter Oil Tank – IAE V2500 Series Engine		May 01/14
FIGURE Ground Service Connections - APU Oil Tank		May 01/14
FIGURE Ground Service Connections - Engine Oil Tank – CFM LEAP-1A Series Engine		Dec 01/21

CONTENT	CHG CODE	LAST REVISION DATE
FIGURE Ground Service Connections - IDG Oil Tank – CFM LEAP-1A Series Engine		Dec 01/21
FIGURE Ground Service Connections - Starter Oil Tank – CFM LEAP-1A Series Engine		Dec 01/21
FIGURE Ground Service Connections - Engine Oil Tank – PW 1100G Series Engine		Dec 01/21
FIGURE Ground Service Connections - IDG Oil Tank – PW 1100G Series Engine		Dec 01/21
FIGURE Ground Service Connections - Starter Oil Tank – PW 1100G Series Engine		Dec 01/21
Subject 5-4-9 Potable Water System		May 01/14
FIGURE Ground Service Connections - Potable Water Ground Service Panels		May 01/14
FIGURE Ground Service Connections - Potable Water Tank Location Subject 5-4-10		May 01/14
Waste Water System		Nov 01/19
FIGURE Ground Service Connections - Waste Water Ground Service Panel		May 01/14
FIGURE Ground Service Connections - Waste Tank Location Subject 5-5-0		May 01/14
Subject 5-6-0 Engine Starting Pneumatic Requirements		Dec 01/21

CONTENT	CHG CODE	LAST REVISION DATE
Ground Pneumatic Power Requirements		May 01/15
FIGURE Ground Pneumatic Power Requirements - Heating		May 01/14
FIGURE Ground Pneumatic Power Requirements - Cooling		May 01/14
Subject 5-7-0		
Preconditioned Airflow Requirements		May 01/15
FIGURE Preconditioned Airflow Requirements		May 01/16
Subject 5-8-0		
Ground Towing Requirements	R	Dec 01/23
FIGURE Ground Towing Requirements	N	Dec 01/23
FIGURE Ground Towing Requirements - PW 1100G Engine	N	Dec 01/23
Subject 5-9-0		
De-Icing and External Cleaning		May 01/14
<u>CHAPTER 6</u>		
Subject 6-1-0		
Engine Exhaust Velocities and Temperatures		Dec 01/15
Subject 6-1-1		
Engine Exhaust Velocities Contours - Ground Idle Power		Dec 01/15
FIGURE Engine Exhaust Velocities - Ground Idle Power – CFM56 Series Engine		Dec 01/15
FIGURE Engine Exhaust Velocities - Ground Idle Power – IAE V2500 Series Engine		Dec 01/15

CONTENT	CHG CODE	LAST REVISION DATE
FIGURE Engine Exhaust Velocities - Ground Idle Power – CFM LEAP-1A Engine		Dec 01/15
FIGURE Engine Exhaust Velocities - Ground Idle Power – PW 1100G Engine		Dec 01/15
Subject 6-1-2		
Engine Exhaust Temperatures Contours - Ground Idle Power		Dec 01/15
FIGURE Engine Exhaust Temperatures - Ground Idle Power – CFM56 Series Engine		Dec 01/15
FIGURE Engine Exhaust Temperatures - Ground Idle Power – IAE V2500 Series Engine		Dec 01/15
FIGURE Engine Exhaust Temperatures - Ground Idle Power – CFM LEAP-1A Engine		Dec 01/15
FIGURE Engine Exhaust Temperatures - Ground Idle Power – PW 1100G Engine		Dec 01/15
Subject 6-1-3		
Engine Exhaust Velocities Contours - Breakaway Power		Dec 01/15
FIGURE Engine Exhaust Velocities - Breakaway Power – CFM56 Series Engine		Dec 01/15
FIGURE Engine Exhaust Velocities - Breakaway Power – IAE V2500 Series Engine		Dec 01/15
FIGURE Engine Exhaust Velocities - Breakaway Power 12% MTO – CFM LEAP-1A Engine		Dec 01/15
FIGURE Engine Exhaust Velocities - Breakaway Power 12% MTO – PW 1100G Engine		Dec 01/15

CONTENT	CHG CODE	LAST REVISION DATE
FIGURE Engine Exhaust Velocities - Breakaway Power 24% MTO – CFM LEAP-1A Engine		Dec 01/15
FIGURE Engine Exhaust Velocities - Breakaway Power 24% MTO – PW 1100G Engine		Dec 01/15
Subject 6-1-4 Engine Exhaust Temperatures Contours - Breakaway Power		Dec 01/15
FIGURE Engine Exhaust Temperatures - Breakaway Power – CFM56 Series Engine		Dec 01/15
FIGURE Engine Exhaust Temperatures - Breakaway Power – IAE V2500 Series Engine		Dec 01/15
FIGURE Engine Exhaust Temperatures - Breakaway Power 12% MTO - CFM LEAP-1A Engine		Dec 01/15
FIGURE Engine Exhaust Temperatures - Breakaway Power 12% MTO - PW 1100G Engine		Dec 01/15
FIGURE Engine Exhaust Temperatures - Breakaway Power 24% MTO - CFM LEAP-1A Engine		Dec 01/15
FIGURE Engine Exhaust Temperatures - Breakaway Power 24% MTO - PW 1100G Engine		Dec 01/15
Subject 6-1-5 Engine Exhaust Velocities Contours - Takeoff Power		Dec 01/15
FIGURE Engine Exhaust Velocities - Takeoff Power – CFM56 Series Engine		Dec 01/15
FIGURE Engine Exhaust Velocities - Takeoff Power – IAE V2500 Series Engine		Dec 01/15

CONTENT	CHG CODE	LAST REVISION DATE
FIGURE Engine Exhaust Velocities - Takeoff Power – CFM LEAP-1A Engine		Dec 01/15
FIGURE Engine Exhaust Velocities - Takeoff Power – PW 1100G Engine		Dec 01/15
Subject 6-1-6 Engine Exhaust Temperatures Contours - Takeoff Power		Dec 01/15
FIGURE Engine Exhaust Temperatures - Takeoff Power – CFM56 Series Engine		Dec 01/15
FIGURE Engine Exhaust Temperatures - Takeoff Power – IAE V2500 Series Engine		Dec 01/15
FIGURE Engine Exhaust Temperatures - Takeoff Power - CFM LEAP-1A Engine		Dec 01/15
FIGURE Engine Exhaust Temperatures - Takeoff Power - PW 1100G Engine		Dec 01/15
Subject 6-3-0 Danger Areas of Engines		Dec 01/18
Subject 6-3-1 Ground Idle Power		Dec 01/15
FIGURE Danger Areas of the Engines - CFM56 Series Engine		Dec 01/18
FIGURE Danger Areas of the Engines - IAE V2500 Series Engine		Dec 01/18
FIGURE Danger Areas of the Engines - CFM LEAP-1A Engine		Dec 01/18
FIGURE Danger Areas of the Engines - PW 1100G Engine Subject 6-3-2		Dec 01/18

CONTENT	CHG CODE	LAST REVISION DATE
Breakaway Power		Feb 01/18
FIGURE Danger Areas of the Engines - CFM56 Series Engine		Nov 01/19
FIGURE Danger Areas of the Engines - IAE V2500 Series Engine		Nov 01/19
FIGURE Danger Areas of the Engines - CFM LEAP-1A Engine		Nov 01/19
FIGURE Danger Areas of the Engines - PW 1100G Engine		Nov 01/19
Subject 6-3-3		Feb 01/18
Take Off Power		Dec 01/18
FIGURE Danger Areas of the Engine - CFM56 Series Engine		Dec 01/18
FIGURE Danger Areas of the Engine - IAE V2500 Series Engine		Dec 01/18
FIGURE Danger Areas of the Engine - CFM LEAP-1A Engine		Dec 01/18
FIGURE Danger Areas of the Engine - PW 1100G Engine		Dec 01/18
Subject 6-4-1		May 01/14
APU - APIC & GARRETT		May 01/14
FIGURE Exhaust Velocities and Temperatures - APU – APIC & GARRETT		Mar 01/22
<u>CHAPTER 7</u>		
Subject 7-1-0		Mar 01/22
General Information		
Subject 7-2-0		Mar 01/22
Landing Gear Footprint		

CONTENT	CHG CODE	LAST REVISION DATE
FIGURE Landing Gear Footprint		Mar 01/22
FIGURE Landing Gear Footprint		May 01/23
FIGURE Landing Gear Footprint for ACJ320NEO		May 01/23
Subject 7-3-0		Mar 01/22
Maximum Pavement Loads		Mar 01/22
FIGURE Maximum Pavement Loads for A320-200		May 01/23
FIGURE Maximum Pavement Loads for A320NEO		Mar 01/22
Subject 7-4-0		Mar 01/22
Landing Gear Loading on Pavement		Mar 01/22
Subject 7-5-0		Mar 01/22
Flexible Pavement Requirements - US Army Corps of Engineers Design Method		Mar 01/22
Subject 7-6-0		Mar 01/22
Flexible Pavement Requirements - LCN Conversion		Mar 01/22
Subject 7-7-0		Mar 01/22
Rigid Pavement Requirements - Portland Cement Association Design Method		Mar 01/22
Subject 7-8-0		Mar 01/22
Rigid Pavement Requirements - LCN Conversion		Mar 01/22
Subject 7-9-0		Mar 01/22
Aircraft Classification Number - Flexible and Rigid Pavements		Mar 01/22
FIGURE ACN Table for A320-200		Mar 01/22



CONTENT	CHG CODE	LAST REVISION DATE
FIGURE ACN Table for A320NEO and ACJ320NEO - ACN Table for A320NEO		May 01/23
Subject 7-10-0		
ACR/PCR Reporting System - Flexible and Rigid Pavements		Mar 01/22
FIGURE ACR Table		Mar 01/22
FIGURE ACR Table		May 01/23
FIGURE ACR Table for ACJ320NEO		May 01/23
CHAPTER 8		
Subject 8-0-0		
Scaled Drawings		Dec 01/15
FIGURE Scaled Drawing		Dec 01/15
FIGURE Scaled Drawing		Dec 01/15
CHAPTER 10		
Subject 10-0-0		
Aircraft Rescue and Fire Fighting		May 01/15
FIGURE Front Page		Nov 01/19
FIGURE Highly Flammable and Hazardous Materials and Components		Nov 01/19
FIGURE Batteries Location and Access		Nov 01/19
FIGURE Wheel/Brake Overheat - Wheel Safety Area		Nov 01/19
FIGURE Composite Materials		May 01/14

CONTENT	CHG CODE	LAST REVISION DATE
FIGURE L/G Ground Lock Safety Devices		Nov 01/19
FIGURE Emergency Evacuation Devices		Nov 01/19
FIGURE Pax/Crew Doors		Nov 01/19
FIGURE Emergency Exit Hatch		Nov 01/19
FIGURE FWD and AFT Lower Deck Cargo Doors		Nov 01/19
FIGURE Control Panels		Nov 01/19
FIGURE APU Access Door		Nov 01/19
FIGURE Aircraft Ground Clearances		Nov 01/19
FIGURE Structural Break-in Points		Nov 01/19

**TABLE OF CONTENTS**

1	SCOPE
1-1-0	Introduction
1-2-0	Glossary
2	AIRCRAFT DESCRIPTION
2-1-1	General Aircraft Characteristics Data
2-2-0	General Aircraft Dimensions
2-3-0	Ground Clearances
2-4-1	Interior Arrangements - Plan View
2-5-0	Interior Arrangements - Cross Section
2-6-0	Cargo Compartments
2-7-0	Door Clearances and Location
2-8-0	Escape Slides
2-9-0	Landing Gear
2-10-0	Exterior Lighting
2-11-0	Antennas and Probes Location
2-12-0	Power Plant
2-13-0	Leveling, Symmetry and Alignment
2-14-0	Jacking
3	AIRCRAFT PERFORMANCE
3-1-0	General Information
3-2-1	Payload / Range - ISA Conditions
3-3-1	Take-off Weight Limitation - ISA Conditions
3-3-2	Take-off Weight Limitation - ISA +15°C (+59°F) Conditions
3-3-3	Aerodrome Reference Code
3-4-1	Landing Field Length - ISA Conditions
3-5-0	Final Approach Speed
4	GROUND MANEUVERING
4-1-0	General Information
4-2-0	Turning Radii
4-3-0	Minimum Turning Radii
4-4-0	Visibility from Cockpit in Static Position
4-5-0	Runway and Taxiway Turn Paths
4-5-1	135° Turn - Runway to Taxiway

4-5-2	90° Turn - Runway to Taxiway
4-5-3	180° Turn on a Runway
4-5-4	135° Turn - Taxiway to Taxiway
4-5-5	90° Turn - Taxiway to Taxiway
4-6-0	Runway Holding Bay (Apron)
4-7-0	Minimum Line-Up Distance Corrections
4-8-0	Aircraft Mooring
5	TERMINAL SERVICING
5-1-1	Aircraft Servicing Arrangements
5-1-2	Typical Ramp Layout - Open Apron
5-1-3	Typical Ramp Layout - Gate
5-2-0	Terminal Operations - Full Servicing Turn Round Time Chart
5-3-0	Terminal Operation - Outstation Turn Round Time Chart
5-4-1	Ground Service Connections
5-4-2	Grounding Points
5-4-3	Hydraulic System
5-4-4	Electrical System
5-4-5	Oxygen System
5-4-6	Fuel System
5-4-7	Pneumatic System
5-4-8	Oil System
5-4-9	Potable Water System
5-4-10	Waste Water System
5-5-0	Engine Starting Pneumatic Requirements
5-6-0	Ground Pneumatic Power Requirements
5-7-0	Preconditioned Airflow Requirements
5-8-0	Ground Towing Requirements
5-9-0	De-Icing and External Cleaning
6	OPERATING CONDITIONS
6-1-0	Engine Exhaust Velocities and Temperatures
6-1-1	Engine Exhaust Velocities Contours - Ground Idle Power
6-1-2	Engine Exhaust Temperatures Contours - Ground Idle Power
6-1-3	Engine Exhaust Velocities Contours - Breakaway Power
6-1-4	Engine Exhaust Temperatures Contours - Breakaway Power
6-1-5	Engine Exhaust Velocities Contours - Takeoff Power
6-1-6	Engine Exhaust Temperatures Contours - Takeoff Power
6-3-0	Danger Areas of Engines

6-3-1	Ground Idle Power
6-3-2	Breakaway Power
6-3-3	Max Take Off Power
6-4-1	APU
7	PAVEMENT DATA
7-1-0	General Information
7-2-0	Landing Gear Footprint
7-3-0	Maximum Pavement Loads
7-4-0	Landing Gear Loading on Pavement
7-5-0	Flexible Pavement Requirements - U.S. Army Corps of Engineers Design Method
7-6-0	Flexible Pavement Requirements - LCN Conversion
7-7-0	Rigid Pavement Requirements - Portland Cement Association Design Method
7-8-0	Rigid Pavement Requirements - LCN Conversion
7-9-0	ACN/PCN Reporting System - Flexible and Rigid Pavements
7-10-0	ACR/PCR Reporting System - Flexible And Rigid Pavements
8	SCALED DRAWINGS
8-0-0	SCALED DRAWINGS
10	AIRCRAFT RESCUE AND FIRE FIGHTING
10-0-0	AIRCRAFT RESCUE AND FIRE FIGHTING

## SCOPE

### **1-1-0 Introduction**

#### **\*\*ON A/C A320-200 A320neo**

##### Purpose

#### 1. General

The A320 AIRCRAFT CHARACTERISTICS – AIRPORT AND MAINTENANCE PLANNING (AC) manual is issued for the A320-200 series aircraft that have the wing-tip fences or sharklets, to give necessary data to the airport operators, airlines and Maintenance/Repair Organizations (MRO) for airport and maintenance facilities planning.

The A320 Family is the world's best-selling single-aisle aircraft. An A320 takes off or lands in the world each 1.5 seconds for each day, the family recorded more than 117 million cycles since the entry-into-service and records the best-in-class dispatch reliability of 99.7%.

To make sure this true market leadership, Airbus continues to invest in improvements in the A320 Family: enhancements to the aerodynamics for example the sharklet wingtip devices, upgrades to the widest passenger cabin in its class, the A320 Family neo. The latter mixes top-of-class engine efficiency offered with two new engine options: the PW1100G PurePower from Pratt&Whitney and the LEAP-1A from CFM International offered the new sharklet devices with superior aerodynamics.

The A320neo family offers a minimum of 15% fuel savings and an additional flight range of about 500 nm (926 km) and up to 20% fuel savings got through the cabin innovations and efficiency improvements. For the environment, the A320neo family is also more eco-friendly, with 5 000 t (11 023 113 lb) less CO<sub>2</sub> emissions each year for each aircraft and almost 50% reduction in noise footprint compared to before generation aircraft.

When you fly the ACJ family member, we pride ourselves on four key intertwined DNA strands that are behind everything. We give the ultimate comfort, intercontinental freedom, pioneering technology and reliability. An ACJ is not only a plane but a home where you can experience space like no other jet, crafted ambience and artisanal quality materials you can connect with. We have selected the space and technology to let you do fine dining, pampering, movie night, working from the sky to make strategic business decisions or simply relaxing with your loved ones and guests, uncompromisingly.

**1-2-0 Glossary****\*\*ON A/C A320-200 A320neo**Glossary

## 1. List of Abbreviations

A/C	Aircraft
ACF	Aircraft Cabin Flex
ACN	Aircraft Classification Number
ACR	Aircraft Classification Rating
AMM	Aircraft Maintenance Manual
APU	Auxiliary Power Unit
B/C	Business Class
CBR	California Bearing Ratio
CC	Cargo Compartment
CG	Center of Gravity
CKPT	Cockpit
E	Young's Modulus
ELEC	Electric, Electrical, Electricity
ESWL	Equivalent Single Wheel Load
FAA	Federal Aviation Administration
F/C	First Class
FDL	Fuselage Datum Line
FR	Frame
FSTE	Full Size Trolley Equivalent
FWD	Forward
GPU	Ground Power Unit
GSE	Ground Support Equipment
HYD	Hydraulic
ICAO	International Civil Aviation Organisation
IDG	Integrated Drive Generator
ISA	International Standard Atmosphere
L	Left
L	Radius of relative stiffness
LCN	Load Classification Number
LD	Lower Deck
L/G	Landing Gear
LH	Left Hand
LPS	Last Pax Seating
MAC	Mean Aerodynamic Chord

MAX	Maximum
MIN	Minimum
MLG	Main Landing Gear
NLG	Nose Landing Gear
OAT	Outside Air Temperature
PAX	Passenger
PBB	Passenger Boarding Bridge
PCA	Portland Cement Association
PCN	Pavement Classification Number
PCR	Pavement Classification Rating
PRM	Passenger with Reduced Mobility
R	Right
RH	Right Hand
ULD	Unit Load Device
US	United States
WV	Weight Variant
Y/C	Tourist Class

## 2. Design Weight Terminology

- Maximum Design Ramp Weight (MRW):  
Maximum weight for ground maneuver (including weight of taxi and run-up fuel) as limited by aircraft strength and airworthiness requirements. It is also called Maximum Design Taxi Weight (MTW).
- Maximum Design Landing Weight (MLW):  
Maximum weight for landing as limited by aircraft strength and airworthiness requirements.
- Maximum Design Takeoff Weight (MTOW):  
Maximum weight for takeoff as limited by aircraft strength and airworthiness requirements. (This is the maximum weight at start of the take-off run).
- Maximum Design Zero Fuel Weight (MZFW):  
Maximum permissible weight of the aircraft without usable fuel.
- Maximum Seating Capacity:  
Maximum number of passengers specifically certified or anticipated for certification.
- Usable Volume:  
Usable volume available for cargo, pressurized fuselage, passenger compartment and cockpit.
- Water Volume:  
Maximum volume of cargo compartment.
- Usable Fuel:  
Fuel available for aircraft propulsion.



**AIRCRAFT DESCRIPTION**

**2-1-1 General Aircraft Characteristics Data**

**\*\*ON A/C A320-200 A320neo**

General Aircraft Characteristics Data

**\*\*ON A/C A320-200**

1. The following table gives characteristics of A320-200 models, these data are specific to each weight variant:

Aircraft Characteristics				
	WV000	WV001	WV002	WV003
Maximum Ramp Weight (MRW)	73 900 kg	68 400 kg	70 400 kg	75 900 kg
Maximum Taxi Weight (MTW)	(162 922 lb)	(150 796 lb)	(155 205 lb)	(167 331 lb)
Maximum Take-Off Weight (MTOW)	73 500 kg	68 000 kg	70 000 kg	75 500 kg
	(162 040 lb)	(149 914 lb)	(154 324 lb)	(166 449 lb)
Maximum Landing Weight (MLW)	64 500 kg	64 500 kg	64 500 kg	64 500 kg
	(142 198 lb)	(142 198 lb)	(142 198 lb)	(142 198 lb)
Maximum Zero Fuel Weight (MZFW)	60 500 kg	60 500 kg	60 500 kg	60 500 kg
	(133 380 lb)	(133 380 lb)	(133 380 lb)	(133 380 lb)

Aircraft Characteristics				
	WV004	WV005	WV006	WV007
Maximum Ramp Weight (MRW)	71 900 kg	67 400 kg	66 400 kg	77 400 kg
Maximum Taxi Weight (MTW)	(158 512 lb)	(148 592 lb)	(146 387 lb)	(170 638 lb)
Maximum Take-Off Weight (MTOW)	71 500 kg	67 000 kg	66 000 kg	77 000 kg
	(157 630 lb)	(147 710 lb)	(145 505 lb)	(169 756 lb)
Maximum Landing Weight (MLW)	64 500 kg	64 500 kg	64 500 kg	64 500 kg
	(142 198 lb)	(142 198 lb)	(142 198 lb)	(142 198 lb)
Maximum Zero Fuel Weight (MZFW)	60 500 kg	60 500 kg	60 500 kg	60 500 kg
	(133 380 lb)	(133 380 lb)	(133 380 lb)	(133 380 lb)

Aircraft Characteristics			
	WV008	WV009	WV010
Maximum Ramp Weight (MRW)	73 900 kg	75 900 kg	77 400 kg
Maximum Taxi Weight (MTW)	(162 922 lb)	(167 331 lb)	(170 638 lb)

Aircraft Characteristics			
	WV008	WV009	WV010
Maximum Take-Off Weight (MTOW)	73 500 kg (162 040 lb)	75 500 kg (166 449 lb)	77 000 kg (169 756 lb)
Maximum Landing Weight (MLW)	64 500 kg (142 198 lb)	64 500 kg (142 198 lb)	64 500 kg (142 198 lb)
Maximum Zero Fuel Weight (MZFW)	61 000 kg (134 482 lb)	61 000 kg (134 482 lb)	61 000 kg (134 482 lb)

Aircraft Characteristics			
	WV011	WV012	WV013
Maximum Ramp Weight (MRW)	75 900 kg (167 331 lb)	77 400 kg (170 638 lb)	71 900 kg (158 512 lb)
Maximum Taxi Weight (MTW)	75 500 kg (166 449 lb)	77 000 kg (169 756 lb)	71 500 kg (157 630 lb)
Maximum Take-Off Weight (MTOW)	66 000 kg (145 505 lb)	66 000 kg (145 505 lb)	71 500 kg (157 630 lb)
Maximum Landing Weight (MLW)	62 500 kg (137 789 lb)	62 500 kg (137 789 lb)	61 000 kg (134 482 lb)
Maximum Zero Fuel Weight (MZFW)			

Aircraft Characteristics				
	WV014	WV015	WV016	WV017
Maximum Ramp Weight (MRW)	73 900 kg (162 922 lb)	78 400 kg (172 842 lb)	73 900 kg (162 922 lb)	78 400 kg (172 482 lb)
Maximum Taxi Weight (MTW)	73 500 kg (162 040 lb)	78 000 kg (171 961 lb)	73 500 kg (162 040 lb)	78 000 kg (171 961 lb)
Maximum Take-Off Weight (MTOW)	64 500 kg (142 198 lb)	64 500 kg (142 198 lb)	66 000 kg (145 505 lb)	66 000 kg (145 505 lb)
Maximum Landing Weight (MLW)	61 500 kg (135 584 lb)	61 000 kg (134 482 lb)	62 500 kg (137 789 lb)	62 500 kg (137 789 lb)
Maximum Zero Fuel Weight (MZFW)				

Aircraft Characteristics		
	WV018	WV019
Maximum Ramp Weight (MRW)	71 900 kg (158 512 lb)	70 400 kg (155 205 lb)
Maximum Taxi Weight (MTW)	71 500 kg (157 630 lb)	70 000 kg (154 324 lb)
Maximum Take-Off Weight (MTOW)	66 000 kg (145 505 lb)	64 500 kg (142 198 lb)
Maximum Landing Weight (MLW)	62 500 kg	61 000 kg
Maximum Zero Fuel Weight (MZFW)		

Aircraft Characteristics		
	WV018	WV019
	(137 789 lb)	(134 482 lb)

**\*\*ON A/C A320neo**

2. The following table gives characteristics of A320neo and ACJA320neo Models, these data are specific to each Weight Variant:

Aircraft Characteristics			
	WV050	WV051	WV052
Maximum Ramp Weight (MRW)	73 900 kg	73 900 kg	77 400 kg
Maximum Taxi Weight (MTW)	(162 921 lb)	(162 921 lb)	(170 638 lb)
Maximum Take-Off Weight (MTOW)	73 500 kg	73 500 kg	77 000 kg
	(162 040 lb)	(162 040 lb)	(169 756 lb)
Maximum Landing Weight (MLW)	66 300 kg	67 400 kg	66 300 kg
	(146 166 lb)	(148 591 lb)	(146 166 lb)
Maximum Zero Fuel Weight (MZFW)	62 800 kg	64 300 kg	62 800 kg
	(138 450 lb)	(141 757 lb)	(138 450 lb)

Aircraft Characteristics				
	WV053	WV054	WV055	WV055 ACJ
Maximum Ramp Weight (MRW)	77 400 kg	79 400 kg	79 400 kg	79 400 kg
Maximum Taxi Weight (MTW)	(170 638 lb)	(175 047 lb)	(175 047 lb)	(175 047 lb)
Maximum Take-Off Weight (MTOW)	77 000 kg	79 000 kg	79 000 kg	79 000 kg
	(169 756 lb)	(174 165 lb)	(174 165 lb)	(174 165 lb)
Maximum Landing Weight (MLW)	67 400 kg	66 300 kg	67 400 kg	67 400 kg
	(148 591 lb)	(146 166 lb)	(148 591 lb)	(148 591 lb)
Maximum Zero Fuel Weight (MZFW)	64 300 kg	62 800 kg	64 300 kg	64 300 kg
	(141 757 lb)	(138 450 lb)	(141 757 lb)	(141 757 lb)

Aircraft Characteristics			
	WV056	WV057	WV068
Maximum Ramp Weight (MRW)	70 400 kg	70 400 kg	75 900 kg
Maximum Taxi Weight (MTW)	(155 205 lb)	(155 205 lb)	(167 331 lb)
Maximum Take-Off Weight (MTOW)	70 000 kg	70 000 kg	75 500 kg
	(154 324 lb)	(154 324 lb)	(166 449 lb)
Maximum Landing Weight (MLW)	66 300 kg	66 300 kg	66 300 kg
	(146 166 lb)	(146 166 lb)	(146 166 lb)
Maximum Zero Fuel Weight (MZFW)	62 800 kg	62 800 kg	62 800 kg

Aircraft Characteristics			
	WV056	WV057	WV068
	(138 450 lb)	(138 450 lb)	(138 450 lb)

Aircraft Characteristics		
	WV069	WV071
Maximum Ramp Weight (MRW)	75 900 kg	75 400 kg
Maximum Taxi Weight (MTW)	(167 331 lb)	(166 228 lb)
Maximum Take-Off Weight (MTOW)	75 500 kg (166 449 lb)	75 000 kg (165 347 lb)
Maximum Landing Weight (MLW)	67 400 kg (148 591 lb)	67 400 kg (148 592 lb)
Maximum Zero Fuel Weight (MZFW)	64 300 kg (141 757 lb)	64 300 kg (141 757 lb)

Aircraft Characteristics			
	WV075	WV078	WV082
Maximum Ramp Weight (MRW)	74 400 kg	72 900 kg	71 900 kg
Maximum Taxi Weight (MTW)	(164 024 lb)	(160 717 lb)	(158 512 lb)
Maximum Take-Off Weight (MTOW)	74 000 kg (163 142 lb)	72 500 kg (159 835 lb)	71 500 kg (157 630 lb)
Maximum Landing Weight (MLW)	67 400 kg (148 592 lb)	66 300 kg (146 166 lb)	66 300 kg (146 166 lb)
Maximum Zero Fuel Weight (MZFW)	64 300 kg (141 757 lb)	62 800 kg (138 450 lb)	62 800 kg (138 450 lb)

Aircraft Characteristics						
	WV083	WV85	WV103	WV110 ACJ	WV111 ACJ	WV112 ACJ
Maximum Ramp Weight (MRW)	71 900 kg	71 400 kg	79 400 kg	79 400 kg	78 400 kg	77 400 kg
Maximum Taxi Weight (MTW)	(158 512 lb)	(157 410 lb)	(175 047 lb)	(175 047 lb)	(172 842 lb)	(170 638 lb)
Maximum Take-Off Weight (MTOW)	71 500 kg (157 630 lb)	71 000 kg (156 528 lb)	79 000 kg (174 165 lb)	79 000 kg (174 165 lb)	78 000 kg (171 961 lb)	77 000 kg (169 756 lb)
Maximum Landing Weight (MLW)	67 400 kg (148 592 lb)	67 400 kg (148 592 lb)	68 400 kg (150 796 lb)	67 400 kg (148 592 lb)	67 400 kg (148 592 lb)	67 400 kg (148 592 lb)
Maximum Zero Fuel Weight (MZFW)	64 300 kg (141 757 lb)	64 300 kg (141 757 lb)	65 300 kg (143 962 lb)	55 300 kg (121 916 lb)	55 300 kg (121 916 lb)	55 300 kg (121 916 lb)

**\*\*ON A/C A320-200 A320neo**

3. The following table gives characteristics of A320-200 and A320neo models, these data are common to each weight variant:

Aircraft Characteristics						
Standard Seating Capacity	180 (Single-Class)					
Usable Fuel Capacity (density = 0.785 kg/l)		A320CEO CFM Engine	A320CEO IAE Engine	ACJ3 20CEO	A320NEO	ACJA 320neo
	Total Wing Fuel	15 959 l (4 216 US gal)	15 609 l (4 123 US gal)	15 490 l (4 092 US gal)	15 490 l (4 092 US gal)	15 490 l (4 092 US gal)
	Center Tank Fuel	8 250 l (2 179 US gal)	8 250 l (2 179 US gal)	8 250 l (2 179 US gal)	8 250 l (2 179 US gal)	8 250 l (2 179 US gal)
	ACT 1	X	X	3 121 l (824 US gal)	X	3 121 l (824 US gal)
	ACT 2	X	X	3 121 l (824 US gal)	X	3 121 l (824 US gal)
	ACT 4 / 4.1 / FWD	X	X	2 186 l (577 US gal)	X	2 186 l (577 US gal)
	Maximum Total Aircraft-Fuel	24 209 l (6 395 US gal)	23 859 l (6 303 US gal)	32 168 l (8 498 US gal)	23 740 l (6 271 US gal)	32 168 l (8 498 US gal)
	Pressurized Fuselage Volume (A/C non equipped)	330 m <sup>3</sup> (11 654 ft <sup>3</sup> )				
Passenger Compartment Volume	139 m <sup>3</sup> (4 909 ft <sup>3</sup> )					
Cockpit Volume	9 m <sup>3</sup> (318 ft <sup>3</sup> )					
Usable Volume, FWD CC	13.28 m <sup>3</sup> (469 ft <sup>3</sup> )					
Usable Volume, AFT CC	18.26 m <sup>3</sup> (645 ft <sup>3</sup> )					
Usable Volume, Bulk CC	5.88 m <sup>3</sup> (208 ft <sup>3</sup> )					
Water Volume, FWD CC	15.56 m <sup>3</sup> (549 ft <sup>3</sup> )					



AIRCRAFT CHARACTERISTICS - AIRPORT AND MAINTENANCE PLANNING

Aircraft Characteristics	
Water Volume, AFT CC	20.77 m <sup>3</sup> (733 ft <sup>3</sup> )
Water Volume, Bulk CC	7.76 m <sup>3</sup> (274 ft <sup>3</sup> )

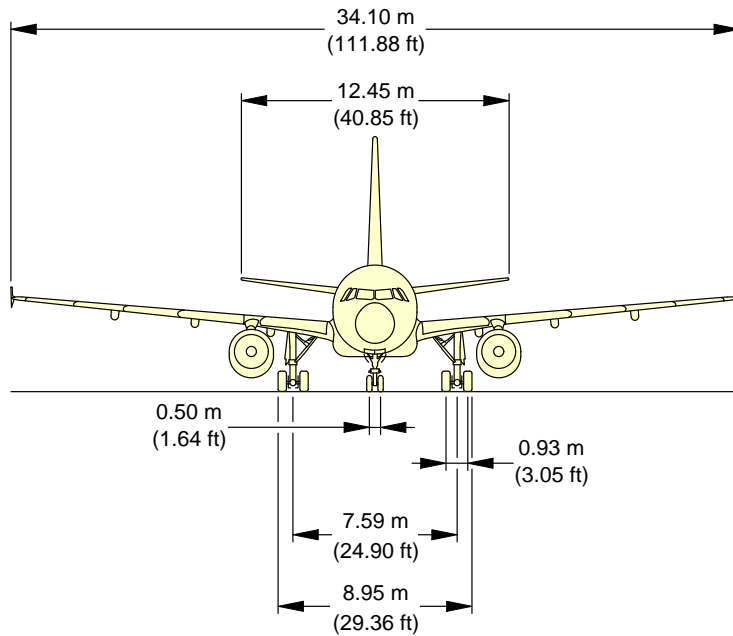
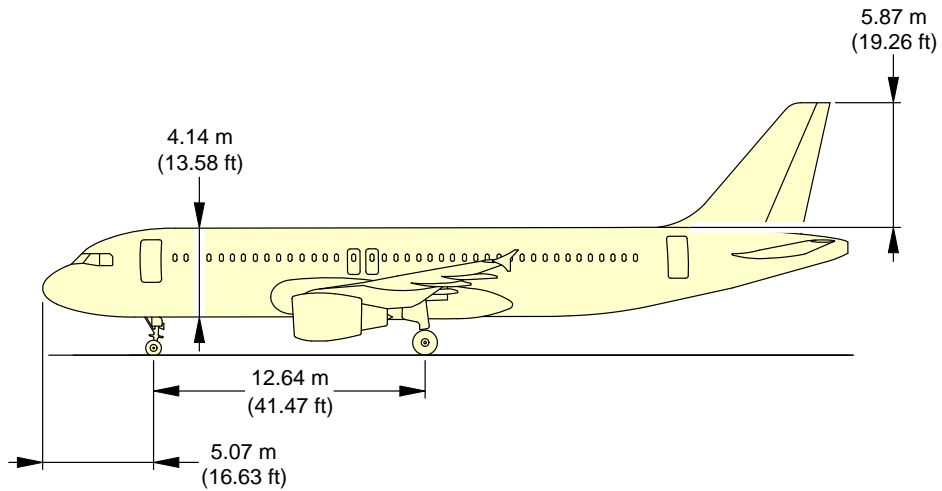
## **2-2-0 General Aircraft Dimensions**

**\*\*ON A/C A320-200 A320neo**

### General Aircraft Dimensions

1. This section provides general aircraft dimensions.

**\*\*ON A/C A320-200**



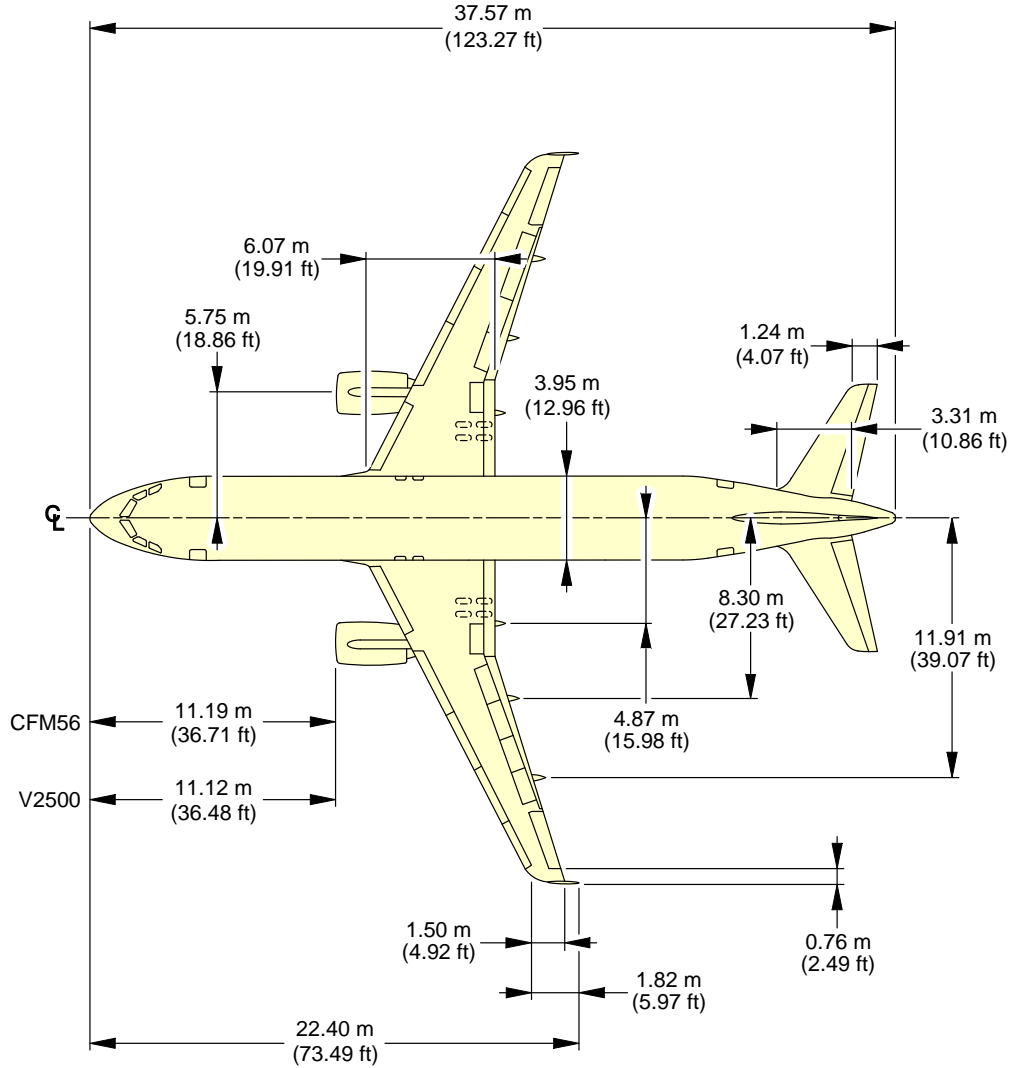
**NOTE:**  
RELATED TO AIRCRAFT ATTITUDE AND WEIGHT.

N\_AC\_020200\_1\_0040101\_01\_04

General Aircraft Dimensions  
Wing Tip Fence (Sheet 1 of 4)  
FIGURE-2-2-0-991-004-A01



**\*\*ON A/C A320-200**

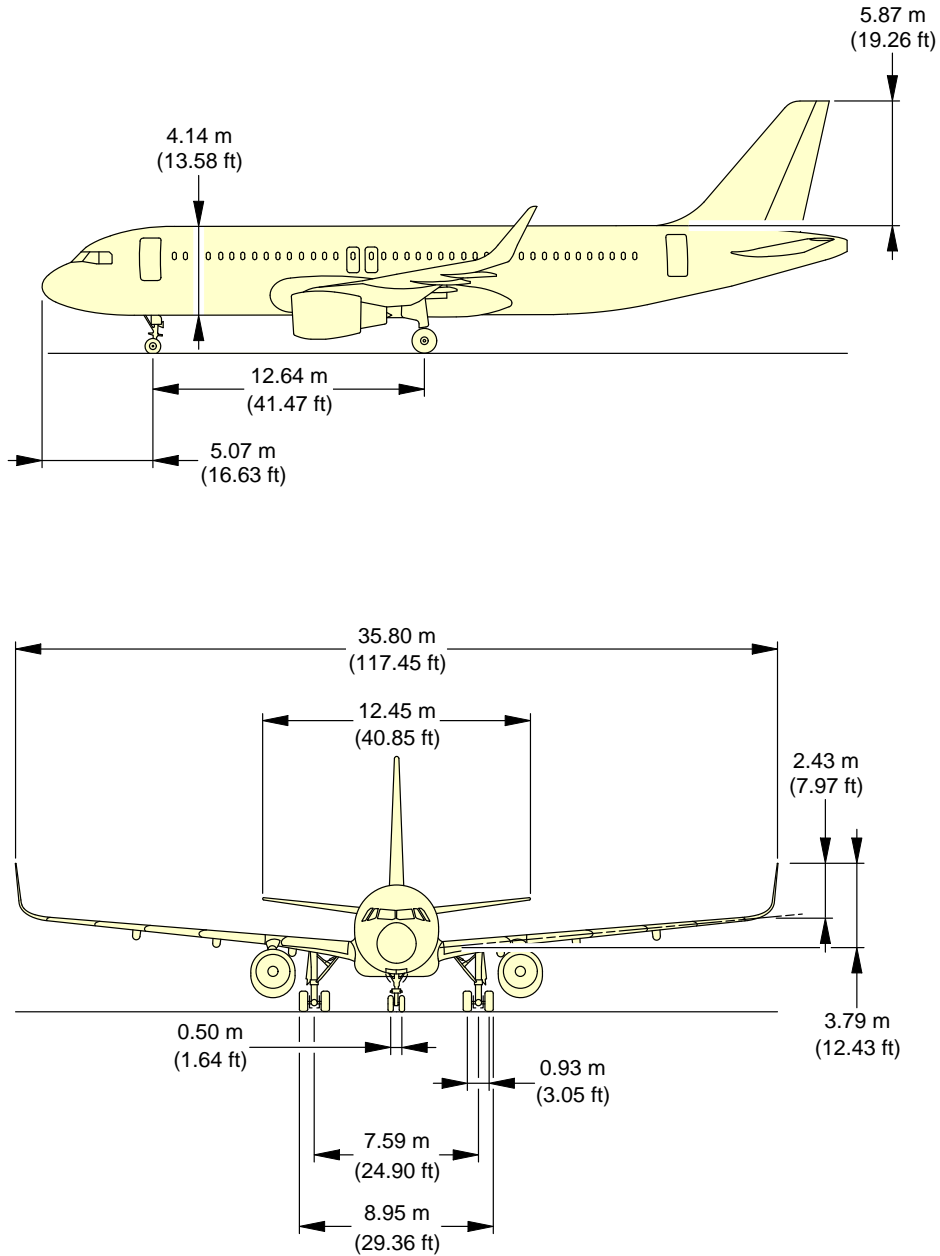


**NOTE:**  
RELATED TO AIRCRAFT ATTITUDE AND WEIGHT.

N\_AC\_020200\_1\_0040104\_01\_02

General Aircraft Dimensions  
Wing Tip Fence (Sheet 2 of 4)  
FIGURE-2-2-0-991-004-A01

**\*\*ON A/C A320-200**

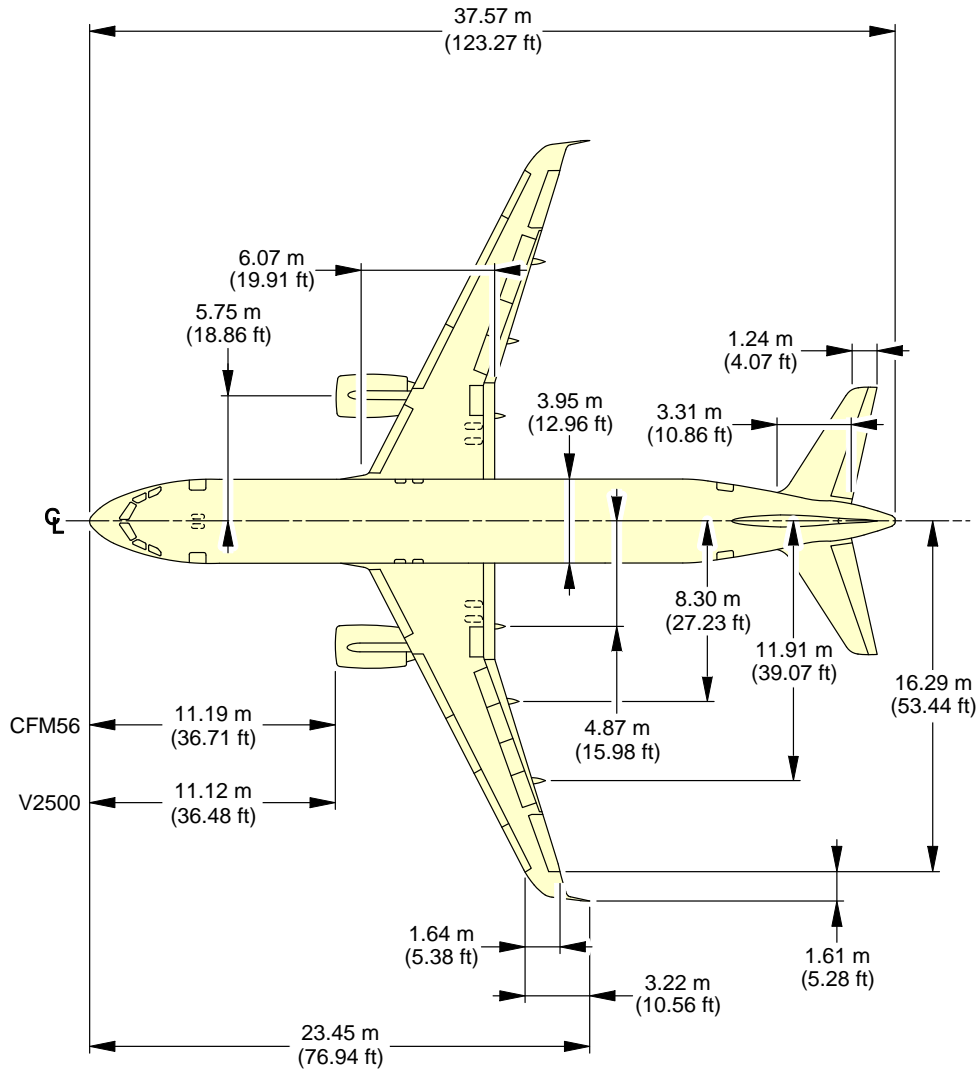


**NOTE:**  
RELATED TO AIRCRAFT ATTITUDE AND WEIGHT.

N\_AC\_020200\_1\_0040103\_01\_02

General Aircraft Dimensions  
Sharklet (Sheet 3 of 4)  
FIGURE-2-2-0-991-004-A01

**\*\*ON A/C A320-200**

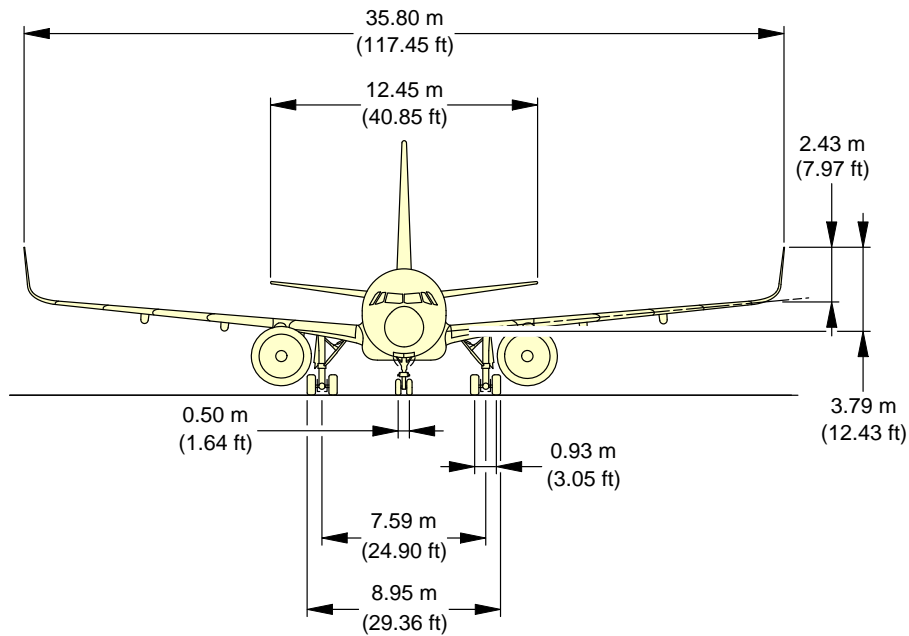
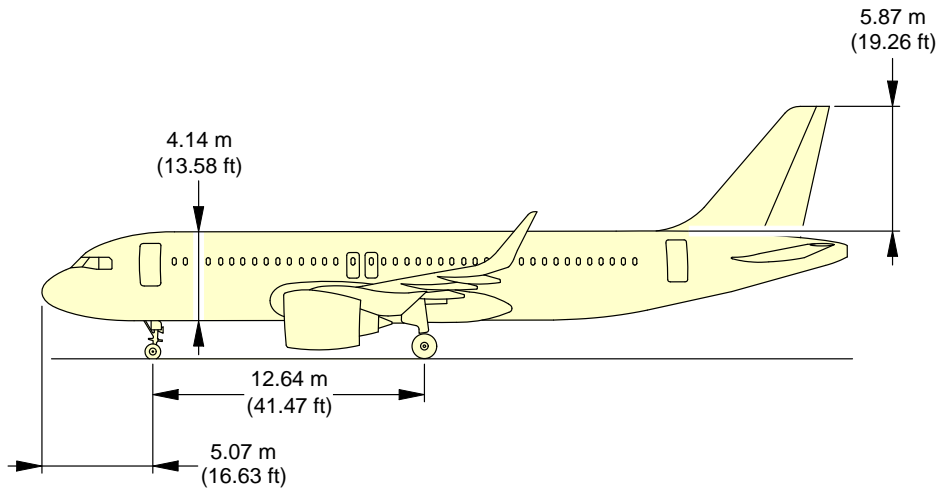


**NOTE:**  
RELATED TO AIRCRAFT ATTITUDE AND WEIGHT.

N\_AC\_020200\_1\_0040105\_01\_02

General Aircraft Dimensions  
Sharklet (Sheet 4 of 4)  
FIGURE-2-2-0-991-004-A01

**\*\*ON A/C A320neo**



**NOTE:**  
RELATED TO AIRCRAFT ATTITUDE AND WEIGHT.

N\_AC\_020200\_1\_0090101\_01\_01

General Aircraft Dimensions  
(Sheet 1 of 2)  
FIGURE-2-2-0-991-009-A01



**2-3-0 Ground Clearances****\*\*ON A/C A320-200 A320neo**Ground Clearances

1. This section provides the height of various points of the aircraft, above the ground, for different aircraft configurations.

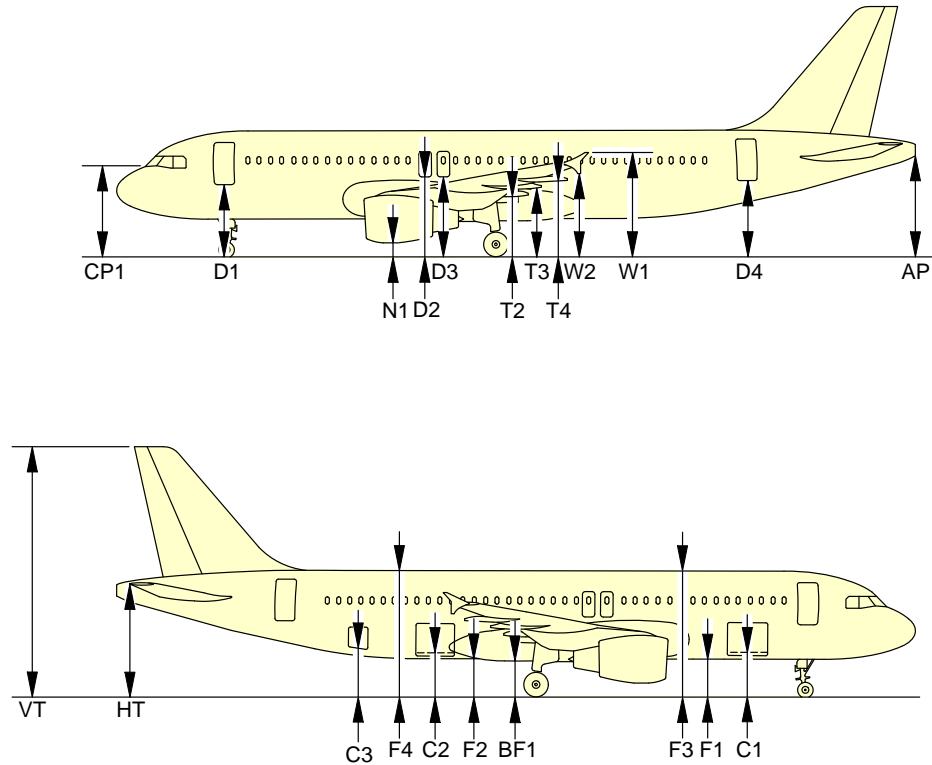
Dimensions in the tables are approximate and will vary with tire type, weight and balance and other special conditions.

The dimensions are given for:

- A light weight, for an A/C in maintenance configuration with a mid CG,
- An aircraft at Maximum Ramp Weight with a FWD CG and an AFT CG,
- Aircraft on jacks, FDL at 4.60 m (15.09 ft).

NOTE : Passenger and cargo door ground clearances are measured from the center of the door sill and from floor level.

**\*\*ON A/C A320-200**



N\_AC\_020300\_1\_0040101\_01\_09

Ground Clearances  
Wing Tip Fence (Sheet 1 of 2)  
FIGURE-2-3-0-991-004-A01

**\*\*ON A/C A320-200**

A/C CONFIGURATION	MRW (WV0) 73 900 kg (162 922 lb)			MRW (WV15) 78 400 kg (172 842 lb)			MRW (WV15) 78 400 kg (172 842 lb)			OEW 41 244 kg (90 927 lb)			A/C JACKED FDL = 4.60 m (15.09 ft)		
	FWD CG (17%)		AFT CG (40%)	FWD CG (17%)		AFT CG (36.8%)	FWD CG (17%)		AFT CG (36.8%)	CG (26.5%)		FDL = 4.60 m (15.09 ft)			
	m	ft	m	ft	m	ft	m	ft	m	ft	m	ft	m	ft	
PASSENGER DOORS	DOOR 1	D1	3.381	11.092	3.482	11.423	3.375	11.072	3.450	11.318	3.482	11.423	4.132	13.556	
	EMERGENCY HATCH 1	D2	3.874	12.709	3.888	12.755	3.864	12.677	3.874	12.709	3.969	13.021	4.535	14.878	
	EMERGENCY HATCH 2	D3	3.882	12.736	3.888	12.755	3.872	12.703	3.875	12.713	3.976	13.044	4.535	14.878	
	DOOR 2	D4	3.615	11.860	3.490	11.450	3.600	11.811	3.503	11.492	3.701	12.142	4.132	13.556	
CARGO DOORS	FWD CARGO DOOR	C1	1.811	5.941	1.883	6.177	1.804	5.918	1.857	6.092	1.910	6.266	2.532	8.307	
	AFT CARGO DOOR	C2	1.949	6.394	1.888	6.194	1.937	6.354	1.888	6.194	2.039	6.689	2.532	8.307	
	BULK CARGO DOOR	C3	2.200	7.217	2.106	6.909	2.187	7.175	2.113	6.932	2.288	7.506	2.749	9.019	
REFERENCE POINT	PILOT VIEW	CP1	4.173	13.690	4.308	14.133	4.169	13.677	4.269	14.005	4.276	14.028	4.959	16.269	
FUSELAGE	BOTTOM FWD	F1	1.727	5.666	1.786	5.859	1.719	5.639	1.762	5.780	1.825	5.987	2.434	7.985	
	BOTTOM AFT	F2	1.856	6.089	1.790	5.872	1.843	6.046	1.792	5.879	1.946	6.384	2.434	7.985	
	TOP FWD	F3	5.872	19.265	5.927	19.445	5.865	19.242	5.904	19.370	5.970	19.586	6.575	21.571	
	TOP AFT	F4	6.001	19.688	5.931	19.458	5.989	19.648	5.934	19.468	6.091	19.983	6.575	21.571	
	BELLY FAIRING	BF1	1.631	5.351	1.610	5.282	1.621	5.318	1.603	5.259	1.724	5.656	2.256	7.401	
	FLAP TRACK 2	T2	2.626	8.615	2.602	8.536	2.615	8.579	2.595	8.513	2.718	8.917	3.248	10.656	
WING	FLAP TRACK 3	T3	3.060	10.039	3.032	9.947	3.049	10.003	3.026	9.927	3.152	10.342	3.677	12.063	
	FLAP TRACK 4	T4	3.399	11.151	3.360	11.023	3.388	11.115	3.356	11.010	3.491	11.451	4.005	13.139	
	WING TIP FENCE TOP	W1	4.767	15.639	4.709	15.449	4.755	15.600	4.709	15.449	4.858	15.938	5.353	17.562	
	WING TIP FENCE BOTTOM	W2	3.795	12.450	3.739	12.267	3.783	12.411	3.738	12.263	3.886	12.749	4.383	14.379	
TAILPLANE	HORIZONTAL TAIL PLANE	HT	5.473	17.956	5.290	17.355	5.456	17.900	5.315	17.437	5.555	18.225	5.930	19.455	
	APU EXHAUST	AP	4.761	15.620	4.563	14.970	4.743	15.561	4.592	15.065	4.843	15.889	5.203	17.070	
	VERTICAL TAIL PLANE	VT	11.996	39.356	11.805	38.730	11.979	39.301	11.832	38.818	12.078	39.625	12.445	40.830	
ENGINE/NACELLE	CFM 5A NACELLE LOW POINT	N1	0.577	1.893	0.592	1.942	0.568	1.863	0.577	1.893	0.672	2.204	1.239	4.064	
	CFM 5B NACELLE LOW POINT	N1	0.577	1.893	0.592	1.942	0.568	1.863	0.577	1.893	0.672	2.204	1.239	4.064	
	V2500 NACELLE LOW POINT	N1	0.759	2.490	0.769	2.522	0.750	2.460	0.756	2.480	0.854	2.801	1.416	4.645	

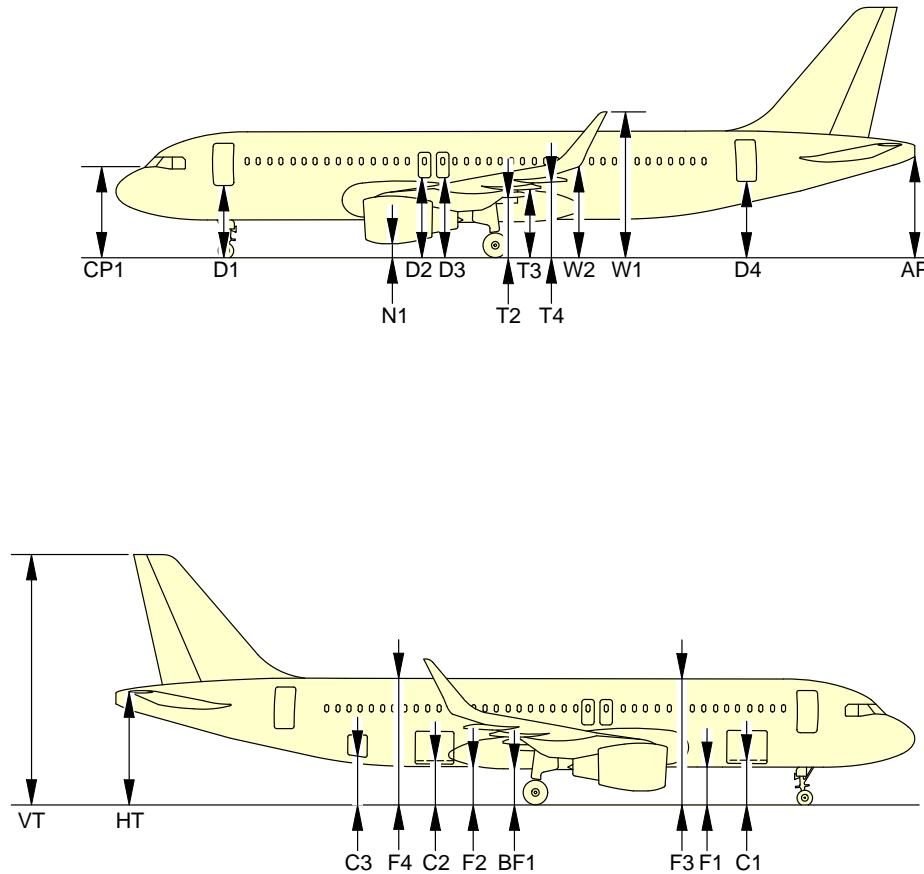
**NOTE:** PASSENGER AND CARGO DOOR GROUND CLEARANCES ARE MEASURED FROM THE CENTER OF THE DOOR SILL AND FROM FLOOR LEVEL.

N\_AC\_020300\_1\_0040103\_01\_01

Ground Clearances  
Wing Tip Fence (Sheet 2 of 2)  
FIGURE-2-3-0-991-004-A01



**\*\*ON A/C A320-200**

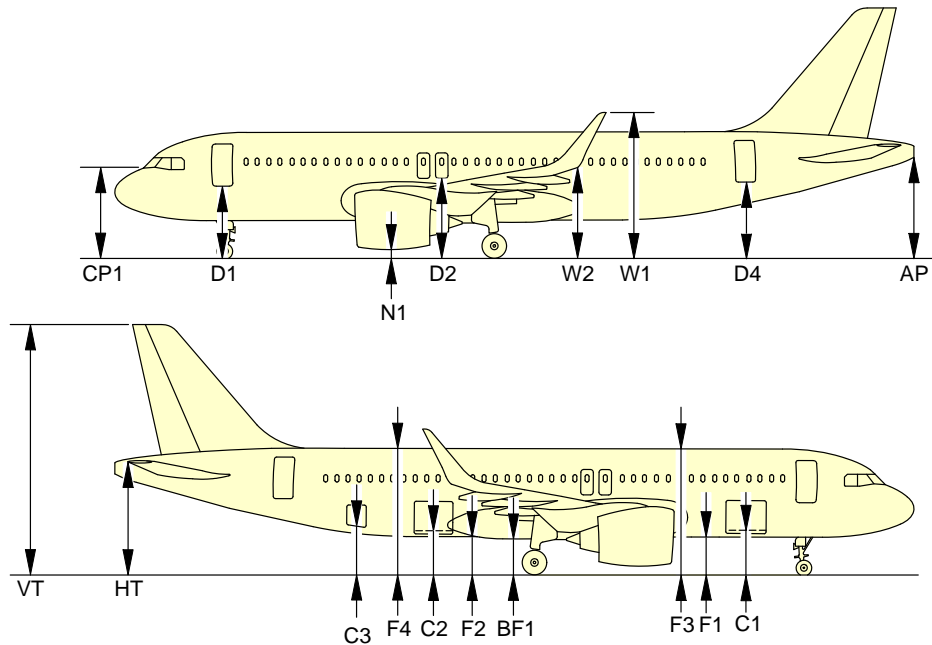


N\_AC\_020300\_1\_0290101\_01\_04

Ground Clearances  
Sharklet (Sheet 1 of 2)  
FIGURE-2-3-0-991-029-A01



**\*\*ON A/C A320neo**



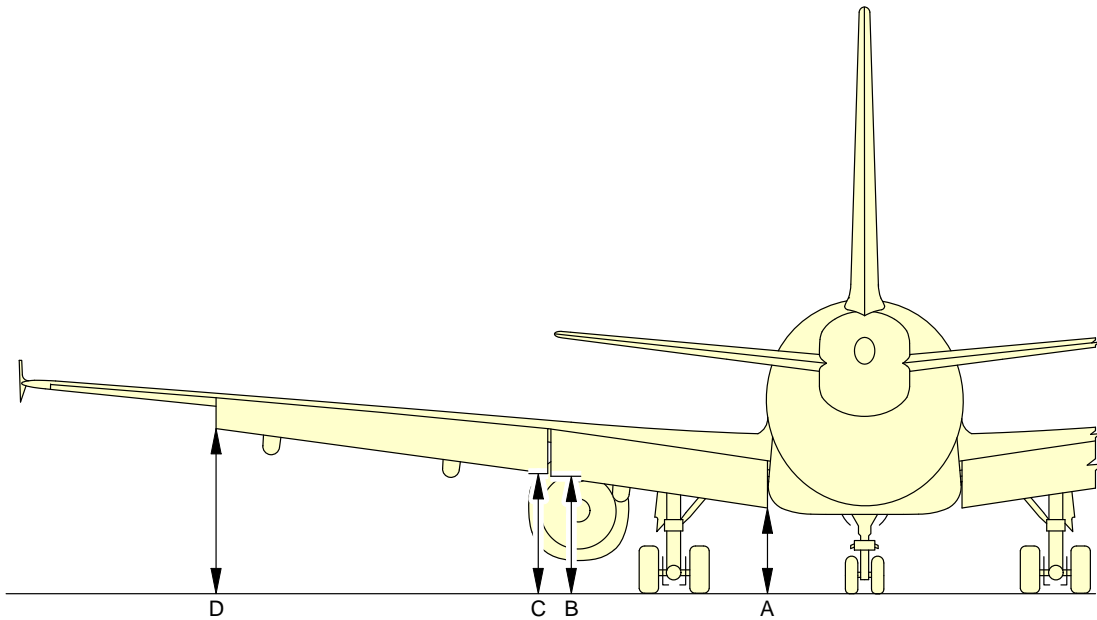
A/C CONFIGURATION		MRW				41 000 kg (90 389 lb)		A/C JACKED FDL = 4.60 m (15.09 ft)	
		FWD CG (17%)		AFT CG (36.8%)		CG (26.5%)		m	ft
		m	ft	m	ft	m	ft		
DOORS	D1	3.38	11.09	3.45	11.32	3.48	11.42	4.13	13.55
	D2	3.87	12.70	3.88	12.73	3.98	13.06	4.54	14.89
	D4	3.60	11.81	3.50	11.48	3.70	12.14	4.13	13.55
	C1	1.98	6.50	2.04	6.69	2.09	6.86	2.71	8.89
	C2	2.12	6.96	2.07	6.79	2.22	7.28	2.71	8.89
FUSELAGE	C3	2.19	7.19	2.11	6.92	2.29	7.51	2.75	9.02
	F1	1.72	5.64	1.76	5.77	1.82	5.97	2.43	7.97
	F2	1.84	6.04	1.79	5.87	1.95	6.40	2.43	7.97
	F3	5.86	19.23	5.90	19.36	5.97	19.59	6.58	21.59
	F4	5.99	19.65	5.93	19.46	6.09	19.98	6.58	21.59
WINGS	BF1	1.62	5.31	1.60	5.25	1.72	5.64	2.26	7.41
	CP1	4.17	13.68	4.27	14.01	4.28	14.04	4.96	16.27
TAILPLANE	W1	6.70	21.98	6.65	21.82	6.80	22.31	7.25	23.79
	W2	4.05	13.29	4.01	13.16	4.16	13.65	4.65	15.26
ENGINE/ NACELLE	HT	5.46	17.91	5.32	17.45	5.56	18.24	5.93	19.46
	AP	4.74	15.55	4.59	15.06	4.84	15.88	5.20	17.06
	VT	11.98	39.30	11.83	38.81	12.08	39.63	12.45	40.85
ENGINE/ NACELLE	N1 (CFM LEAP-1A)	0.46	1.51	0.47	1.54	0.56	1.84	1.13	3.71
	N1 (PW 1100G)	0.46	1.51	0.47	1.54	0.56	1.84	1.13	3.71

**NOTE:**  
PASSENGER AND CARGO DOOR GROUND CLEARANCES ARE MEASURED FROM THE CENTER  
OF THE DOOR SILL AND FROM FLOOR LEVEL.

N\_AC\_020300\_1\_0320101\_01\_02

**Ground Clearances**  
**FIGURE-2-3-0-991-032-A01**

**\*\*ON A/C A320-200**

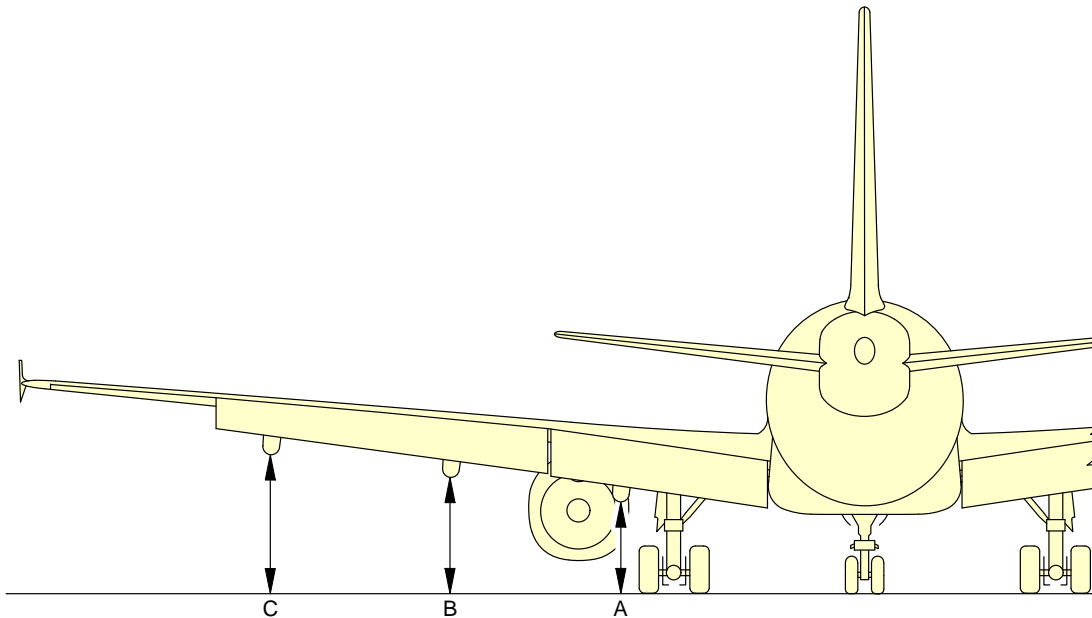


FLAPS EXTENDED CFM 56 ENGINE							
DESCRIPTION		A/C IN MAINTENANCE CONFIGURATION MID CG		MAXIMUM RAMP WEIGHT FWD CG		MAXIMUM RAMP WEIGHT AFT CG	
		m	ft	m	ft	m	ft
FLAP 1 INBD	A	2.09	6.86	1.99	6.53	1.96	6.43
FLAP 1 OUTBD	B	2.82	9.25	2.71	8.89	2.69	8.83
FLAP 2 INBD	C	2.86	9.38	2.75	9.02	2.72	8.92
FLAP 2 OUTBD	D	3.68	12.07	3.56	11.68	3.52	11.55

N\_AC\_020300\_1\_0160101\_01\_01

Ground Clearances  
Trailing Edge Flaps - Extended  
FIGURE-2-3-0-991-016-A01

**\*\*ON A/C A320-200**

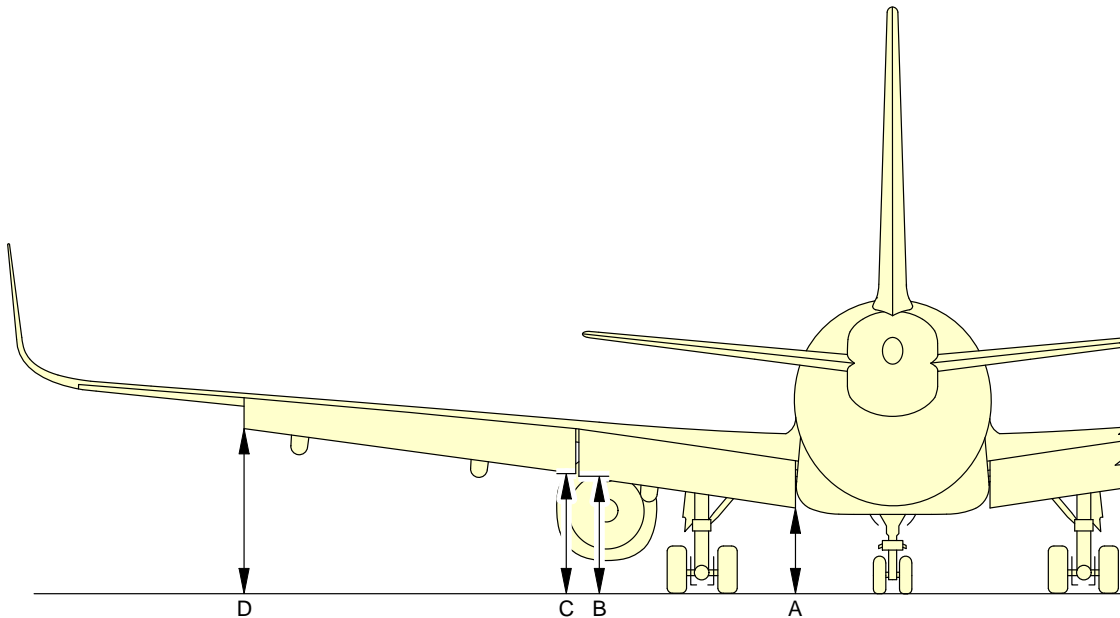


FLAP TRACKS EXTENDED CFM 56 ENGINE							
DESCRIPTION		A/C IN MAINTENANCE CONFIGURATION MID CG		MAXIMUM RAMP WEIGHT FWD CG		MAXIMUM RAMP WEIGHT AFT CG	
		m	ft	m	ft	m	ft
FLAP TRACK 2	A	2.18	7.15	2.08	6.82	2.05	6.73
FLAP TRACK 3	B	2.66	8.73	2.55	8.37	2.52	8.27
FLAP TRACK 4	C	3.10	10.17	2.99	9.81	2.95	9.68

N\_AC\_020300\_1\_0410101\_01\_00

Ground Clearances  
Flap Tracks - Extended  
FIGURE-2-3-0-991-041-A01

**\*\*ON A/C A320-200 A320neo**

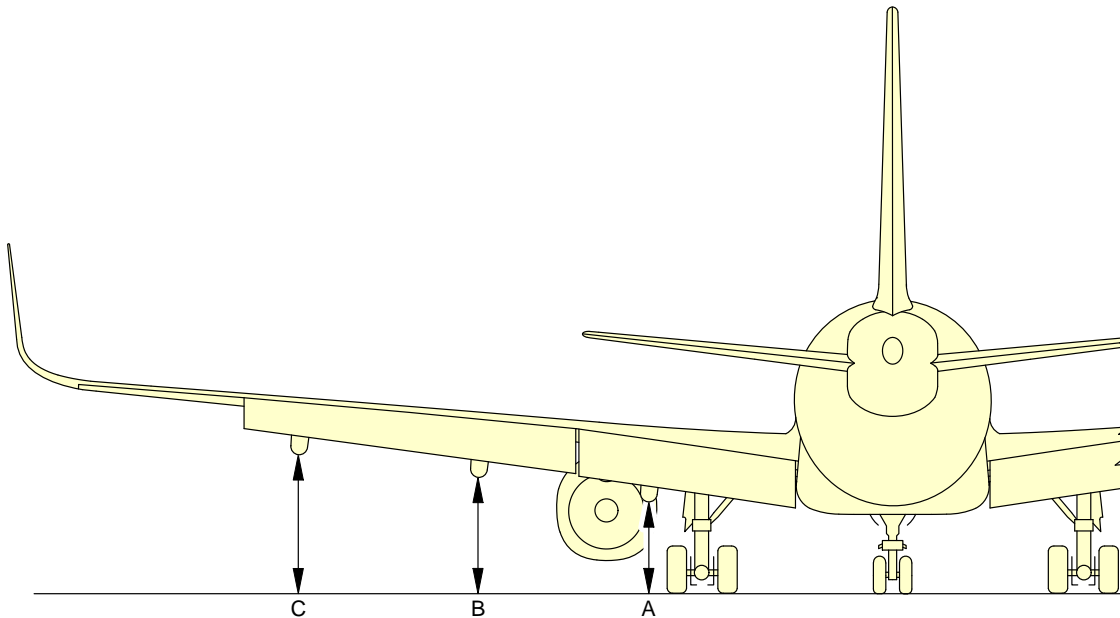


FLAPS EXTENDED IAE V2500, PW 1100G AND CFM LEAP-1A ENGINES							
DESCRIPTION		A/C IN MAINTENANCE CONFIGURATION MID CG		MAXIMUM RAMP WEIGHT FWD CG		MAXIMUM RAMP WEIGHT AFT CG	
		m	ft	m	ft	m	ft
FLAP 1 INBD	A	2.05	6.73	1.94	6.37	1.92	6.30
FLAP 1 OUTBD	B	2.77	9.09	2.66	8.73	2.64	8.66
FLAP 2 INBD	C	2.81	9.22	2.70	8.86	2.68	8.78
FLAP 2 OUTBD	D	3.64	11.94	3.53	11.58	3.49	11.45

N\_AC\_020300\_1\_0170101\_01\_02

Ground Clearances  
Trailing Edge Flaps - Extended  
FIGURE-2-3-0-991-017-A01

**\*\*ON A/C A320-200 A320neo**

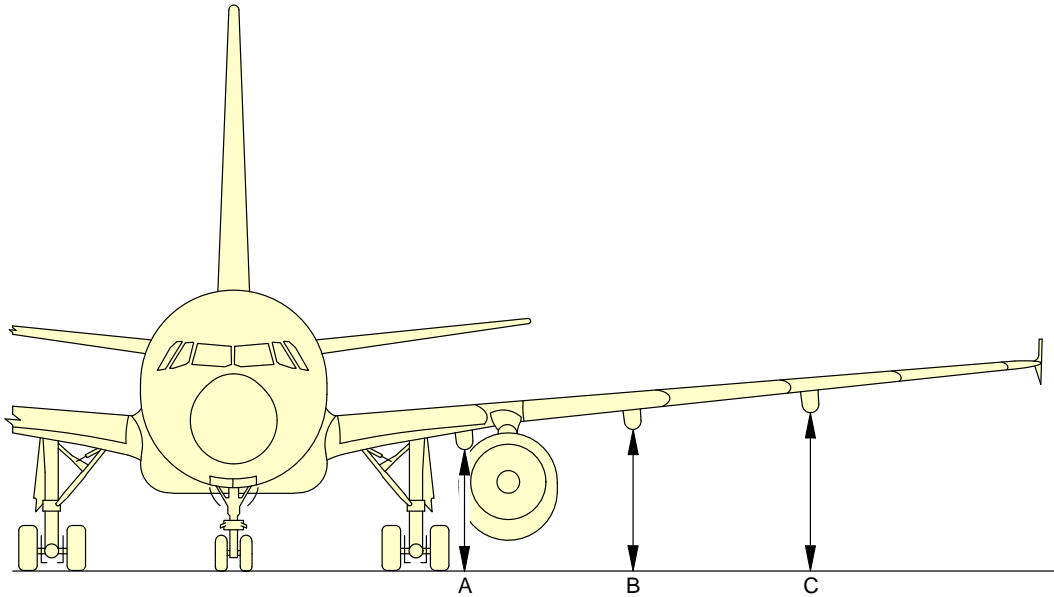


FLAP TRACKS EXTENDED IAE V2500, PW 1100G AND CFM LEAP-1A ENGINES							
DESCRIPTION		A/C IN MAINTENANCE CONFIGURATION MID CG		MAXIMUM RAMP WEIGHT FWD CG		MAXIMUM RAMP WEIGHT AFT CG	
		m	ft	m	ft	m	ft
FLAP TRACK 2	A	2.09	6.86	1.98	6.49	1.95	6.40
FLAP TRACK 3	B	2.59	8.50	2.48	8.14	2.44	8.01
FLAP TRACK 4	C	3.03	9.94	2.92	9.58	2.88	9.45

N\_AC\_020300\_1\_0420101\_01\_00

Ground Clearances  
Flap Tracks - Extended  
FIGURE-2-3-0-991-042-A01

**\*\*ON A/C A320-200 A320neo**



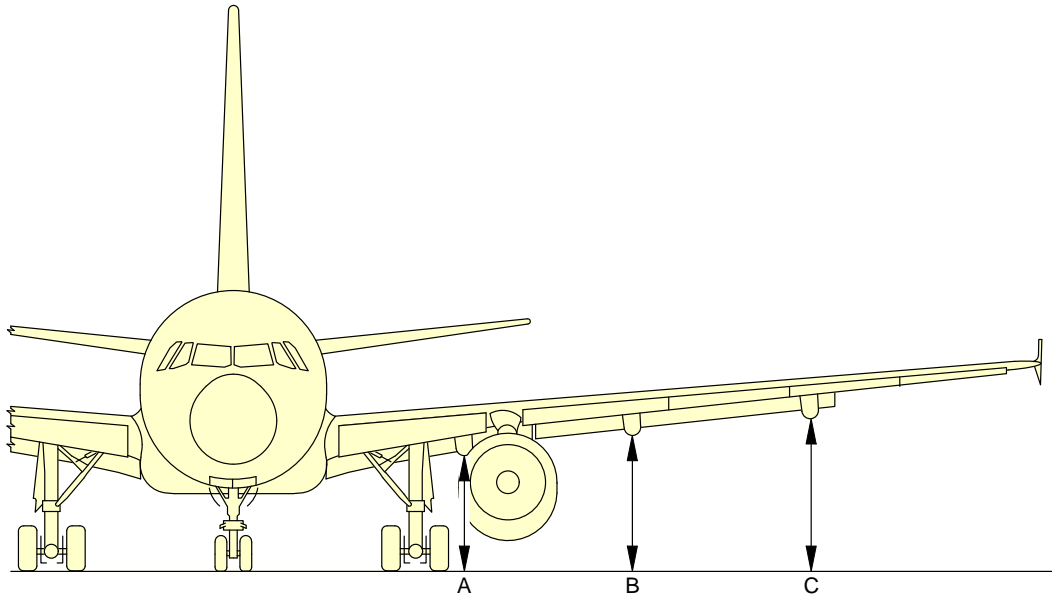
FLAP TRACKS RETRACTED							
DESCRIPTION		A/C IN MAINTENANCE CONFIGURATION MID CG		MAXIMUM RAMP WEIGHT FWD CG		MAXIMUM RAMP WEIGHT AFT CG	
		m	ft	m	ft	m	ft
FLAP TRACK 2	A	2.70	8.86	2.60	8.53	2.58	8.46
FLAP TRACK 3	B	3.10	10.17	3.00	9.84	2.97	9.74
FLAP TRACK 4	C	3.50	11.48	3.39	11.12	3.36	11.02

N\_AC\_020300\_1\_0180101\_01\_01

Ground Clearances  
Flap Tracks - Retracted  
FIGURE-2-3-0-991-018-A01



**\*\*ON A/C A320-200 A320neo**

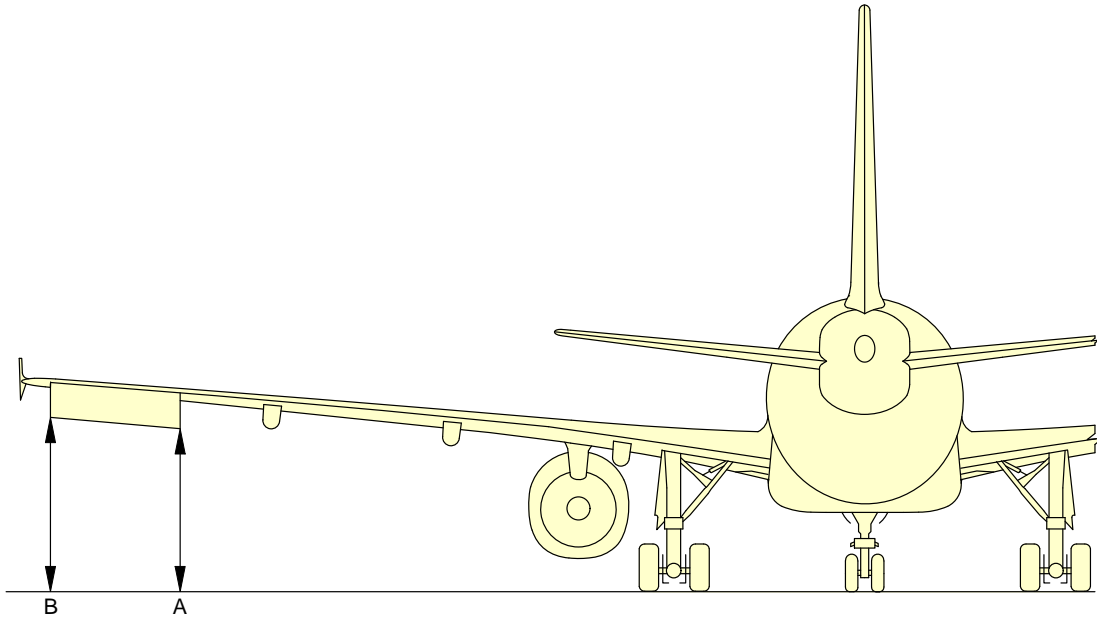


FLAP TRACKS 1+F							
DESCRIPTION		A/C IN MAINTENANCE CONFIGURATION MID CG		MAXIMUM RAMP WEIGHT FWD CG		MAXIMUM RAMP WEIGHT AFT CG	
		m	ft	m	ft	m	ft
FLAP TRACK 2	A	1.95	6.40	1.85	6.07	1.83	6.00
FLAP TRACK 3	B	2.31	7.58	2.21	7.25	2.18	7.15
FLAP TRACK 4	C	2.89	9.48	2.78	9.12	2.75	9.02

N\_AC\_020300\_1\_0430101\_01\_00

Ground Clearances  
Flap Tracks - 1 + F  
FIGURE-2-3-0-991-043-A01

**\*\*ON A/C A320-200 A320neo**

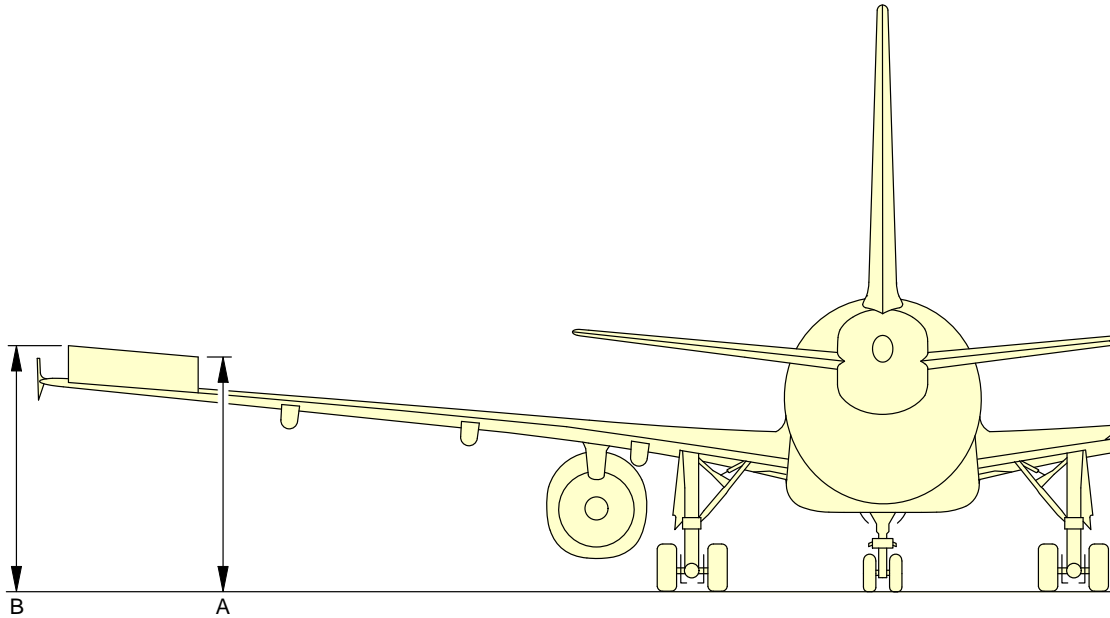


AILERON DOWN							
DESCRIPTION		A/C IN MAINTENANCE CONFIGURATION MID CG		MAXIMUM RAMP WEIGHT FWD CG		MAXIMUM RAMP WEIGHT AFT CG	
		m	ft	m	ft	m	ft
AILERON INBD	A	3.83	12.57	3.72	12.21	3.68	12.07
AILERON OUTBD	B	4.17	13.68	4.06	13.32	4.01	13.16

N\_AC\_020300\_1\_0190101\_01\_01

Ground Clearances  
Aileron Down  
FIGURE-2-3-0-991-019-A01

**\*\*ON A/C A320-200 A320neo**

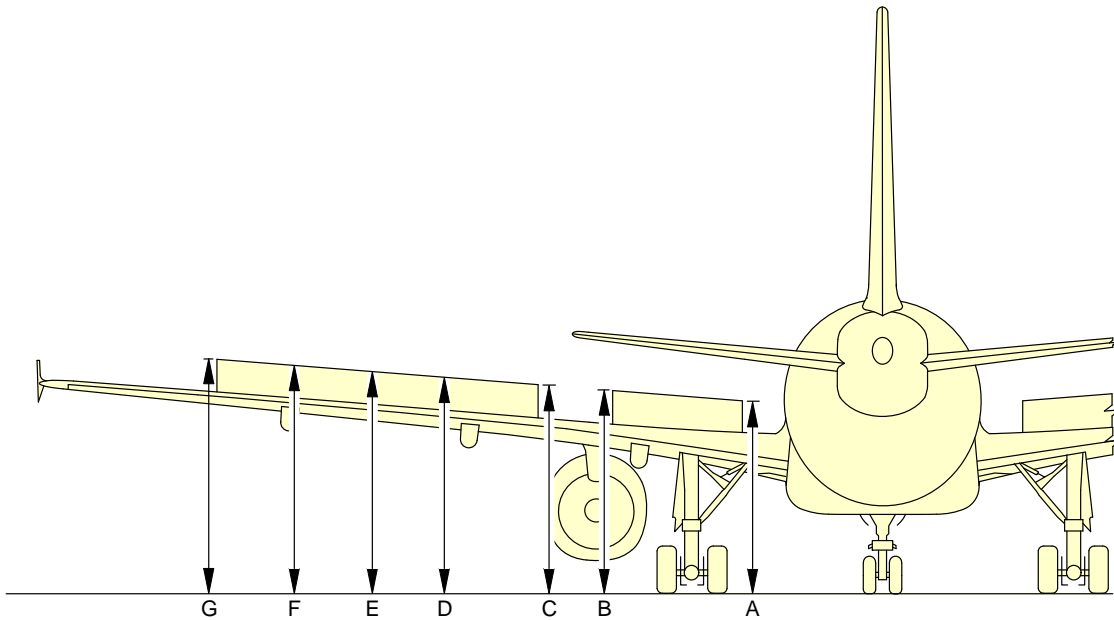


AILERON UP							
DESCRIPTION		A/C IN MAINTENANCE CONFIGURATION MID CG		MAXIMUM RAMP WEIGHT FWD CG		MAXIMUM RAMP WEIGHT AFT CG	
		m	ft	m	ft	m	ft
AILERON INBD	A	4.35	14.27	4.24	13.91	4.20	13.78
AILERON OUTBD	B	4.55	14.93	4.44	14.57	4.39	14.40

N\_AC\_020300\_1\_0440101\_01\_00

Ground Clearances  
Aileron Up  
FIGURE-2-3-0-991-044-A01

**\*\*ON A/C A320-200 A320neo**

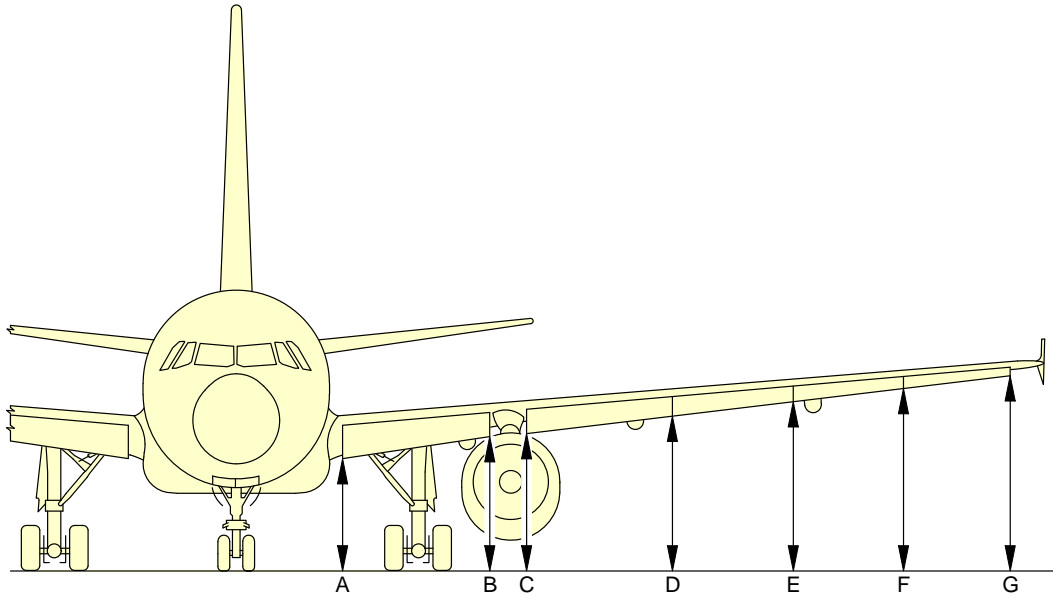


SPOILERS EXTENDED							
DESCRIPTION		A/C IN MAINTENANCE CONFIGURATION MID CG		MAXIMUM RAMP WEIGHT FWD CG		MAXIMUM RAMP WEIGHT AFT CG	
		m	ft	m	ft	m	ft
SPOILER 1 INBD	A	3.75	12.30	3.64	11.94	3.63	11.91
SPOILER 1 OUTBD	B	4.01	13.16	3.90	12.80	3.88	12.73
SPOILER 2 INBD	C	4.07	13.35	3.96	12.99	3.94	12.93
SPOILER 2/3	D	4.21	13.81	4.11	13.48	4.08	13.39
SPOILER 3/4	E	4.35	14.27	4.24	13.91	4.21	13.81
SPOILER 4/5	F	4.47	14.67	4.36	14.31	4.33	14.21
SPOILER 5 OUTBD	G	4.59	15.06	4.48	14.70	4.45	14.60

N\_AC\_020300\_1\_0200101\_01\_01

Ground Clearances  
Spoilers - Extended  
FIGURE-2-3-0-991-020-A01

**\*\*ON A/C A320-200 A320neo**



LEADING EDGE SLATS EXTENDED							
DESCRIPTION		A/C IN MAINTENANCE CONFIGURATION MID CG		MAXIMUM RAMP WEIGHT FWD CG		MAXIMUM RAMP WEIGHT AFT CG	
		m	ft	m	ft	m	ft
SLAT 1 INBD	A	2.57	8.43	2.48	8.14	2.50	8.20
SLAT 1 OUTBD	B	2.98	9.78	2.88	9.45	2.90	9.51
SLAT 2 INBD	C	3.07	10.07	2.97	9.74	2.98	9.78
SLAT 2/3	D	3.36	11.02	3.26	10.70	3.26	10.70
SLAT 3/4	E	3.61	11.84	3.51	11.52	3.50	11.48
SLAT 4/5	F	3.86	12.66	3.76	12.34	3.73	12.24
SLAT 5 OUTBD	G	4.09	13.42	3.98	13.06	3.95	12.96

N\_AC\_020300\_1\_0210101\_01\_01

Ground Clearances  
Leading Edge Slats - Extended  
FIGURE-2-3-0-991-021-A01

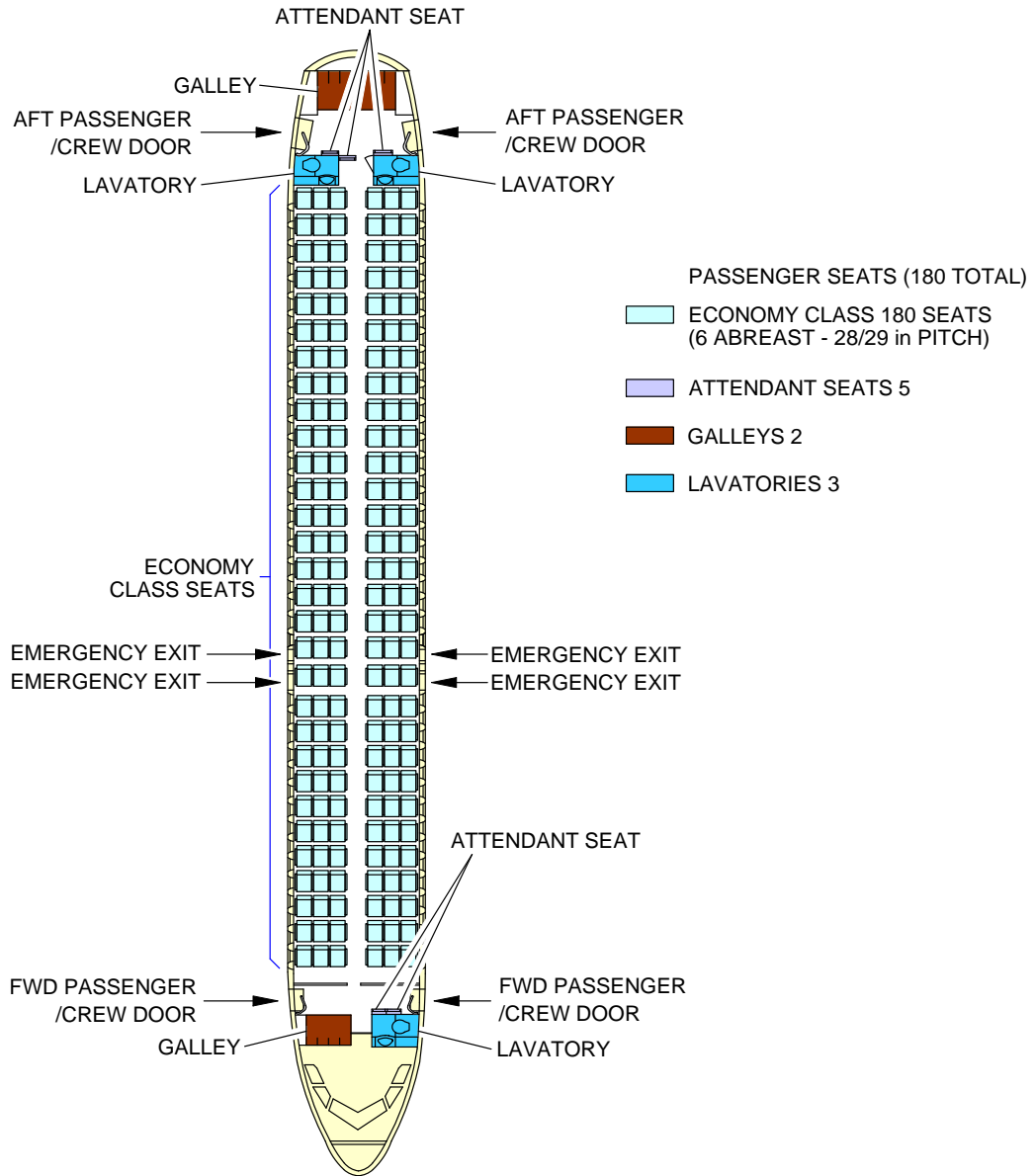
## 2-4-1 Interior Arrangements - Plan View

**\*\*ON A/C A320-200 A320neo**

Interior Arrangements - Plan View

1. This section provides the typical interior configuration.

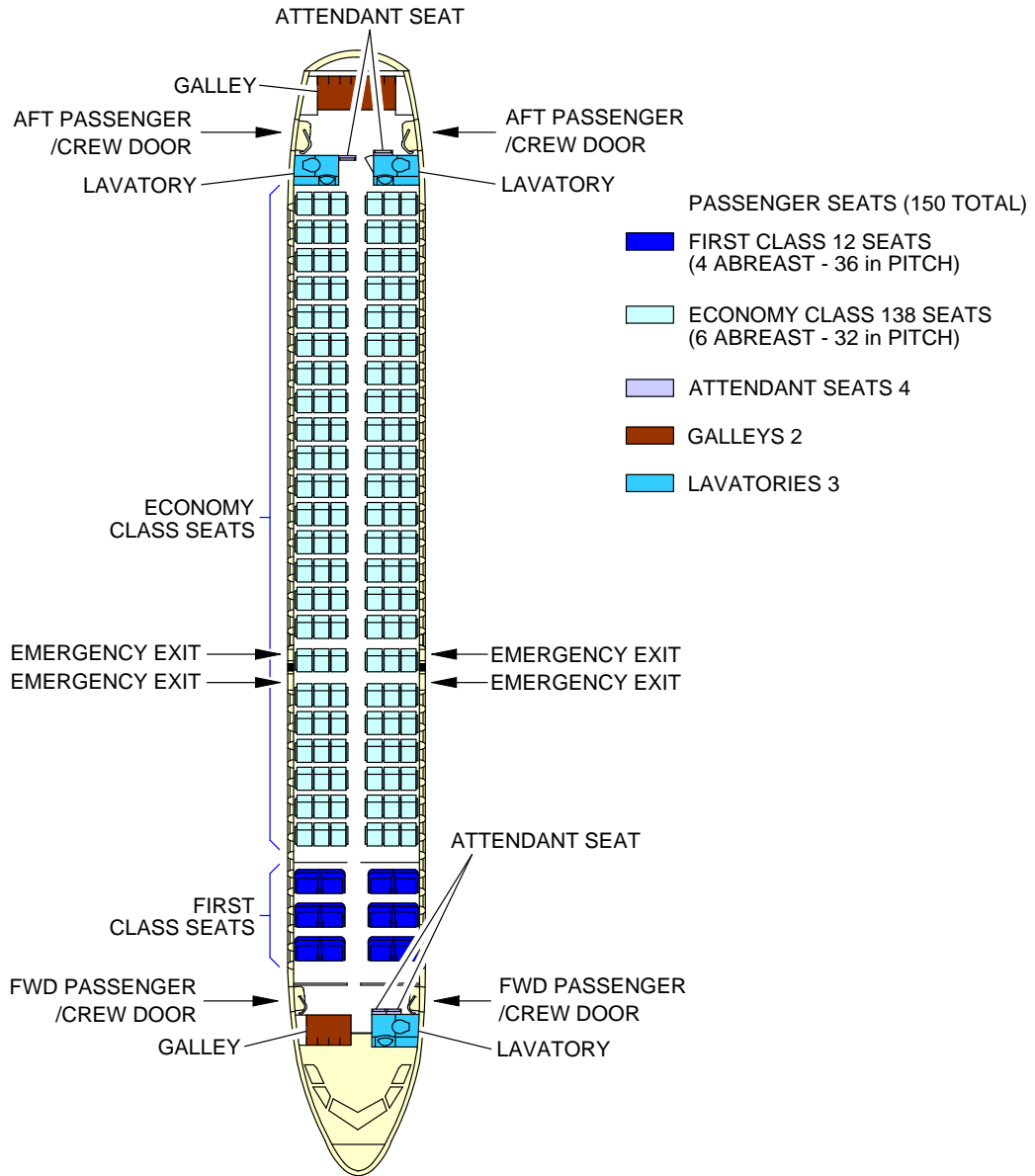
**\*\*ON A/C A320-200 A320neo**



N\_AC\_020401\_1\_0030101\_01\_03

Interior Arrangements - Plan View  
Typical Configuration - Single-Class, High Density  
FIGURE-2-4-1-991-003-A01

**\*\*ON A/C A320-200 A320neo**



N\_AC\_020401\_1\_0090101\_01\_01

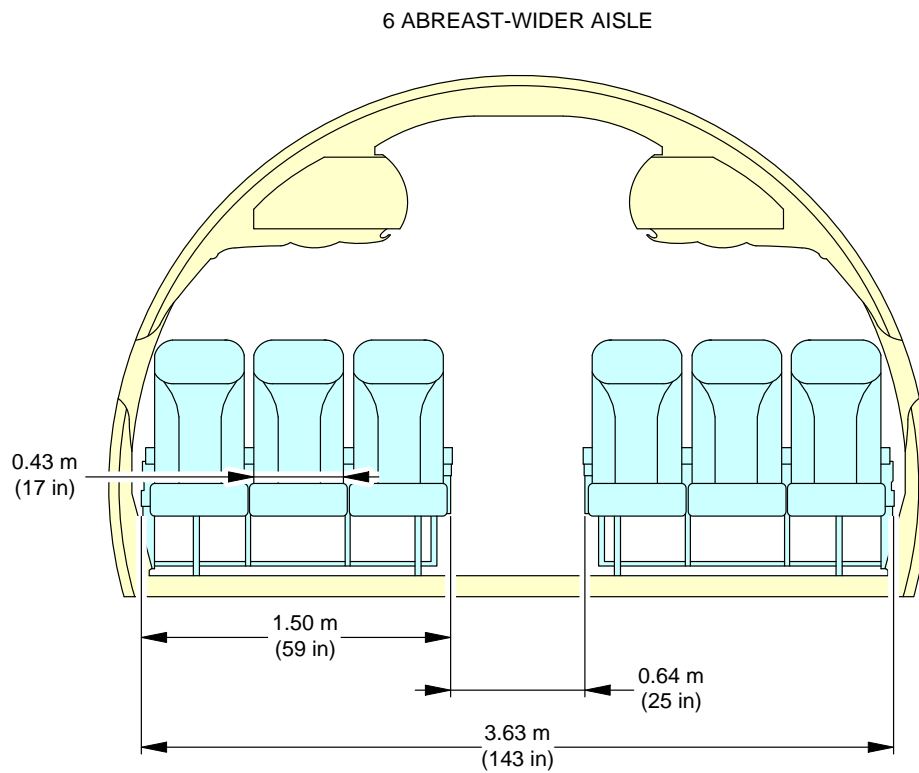
Interior Arrangements - Plan View  
Typical Configuration - Two-Class  
FIGURE-2-4-1-991-009-A01



**2-5-0 Interior Arrangements - Cross Section****\*\*ON A/C A320-200 A320neo**Interior Arrangements - Cross Section

1. This section provides the typical configuration.

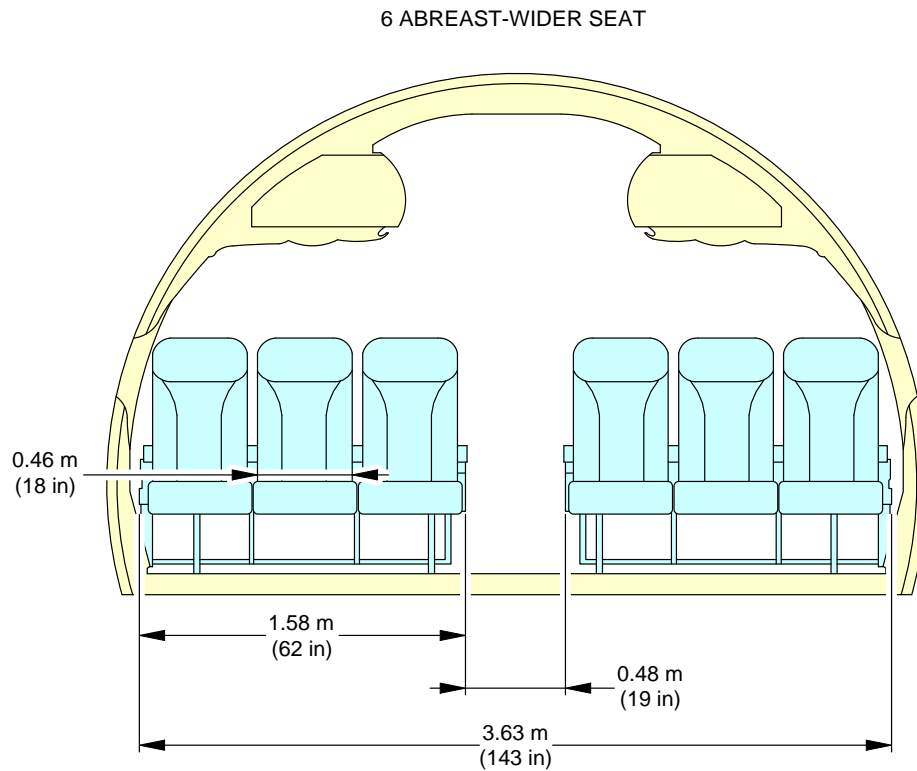
**\*\*ON A/C A320-200 A320neo**



N\_AC\_020500\_1\_0050101\_01\_01

Interior Arrangements - Cross Section  
Economy Class, 6 Abreast - Wider Aisle (Sheet 1 of 2)  
FIGURE-2-5-0-991-005-A01

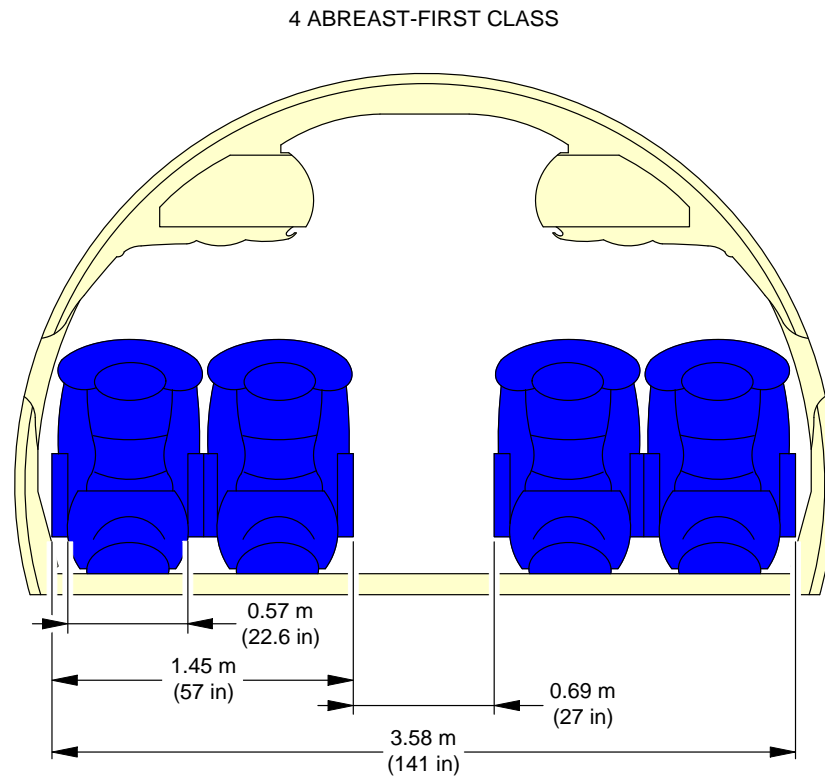
**\*\*ON A/C A320-200 A320neo**



N\_AC\_020500\_1\_0050102\_01\_03

Interior Arrangements - Cross Section  
Economy Class, 6 Abreast - Wider Seat (Sheet 2 of 2)  
FIGURE-2-5-0-991-005-A01

**\*\*ON A/C A320-200 A320neo**



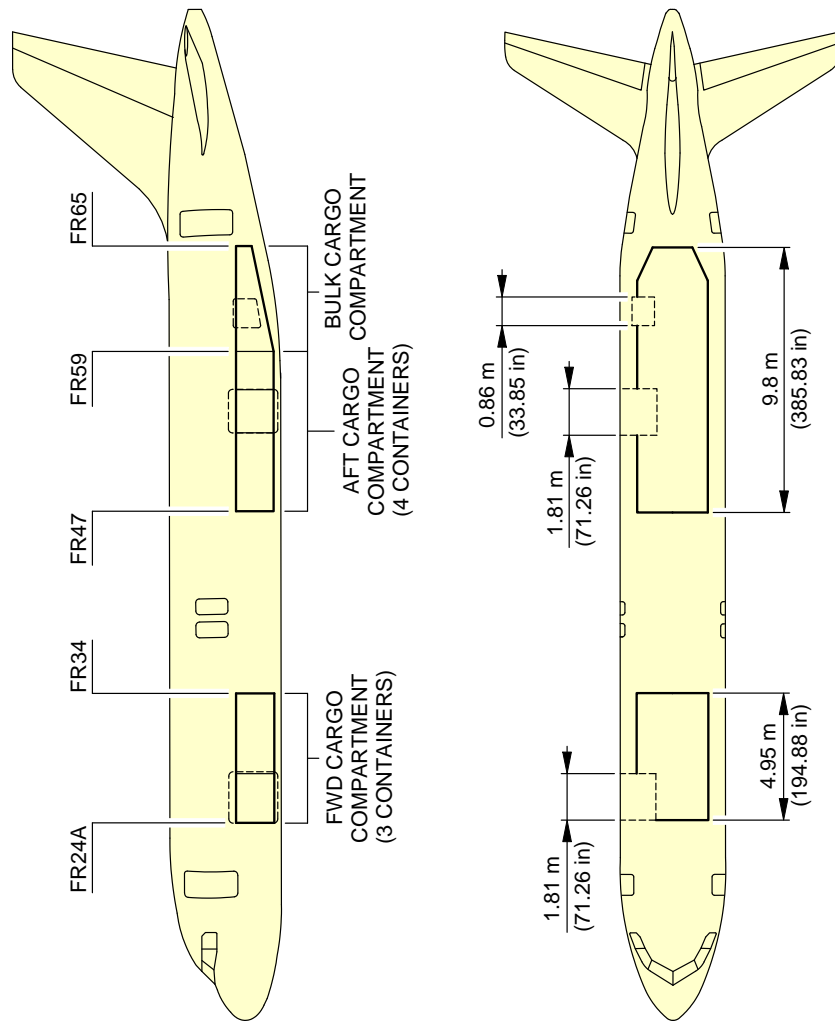
N\_AC\_020500\_1\_0060101\_01\_01

Interior Arrangements - Cross Section  
First-Class  
FIGURE-2-5-0-991-006-A01

**2-6-0 Cargo Compartments****\*\*ON A/C A320-200 A320neo**Cargo Compartments

1. This section provides the cargo compartments locations, dimensions and loading combinations.

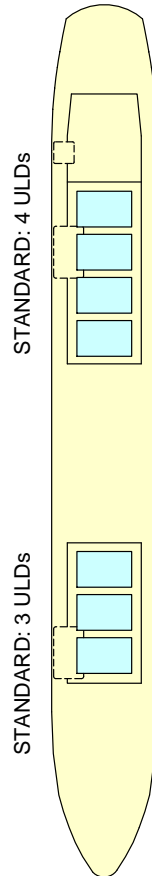
**\*\*ON A/C A320-200 A320neo**



N\_AC\_020600\_1\_0030101\_01\_00

Cargo Compartments  
Locations and Dimensions  
FIGURE-2-6-0-991-003-A01

**\*\*ON A/C A320-200 A320neo**



N\_AC\_020600\_1\_0060101\_01\_00

Cargo Compartments  
Loading Combinations  
FIGURE-2-6-0-991-006-A01

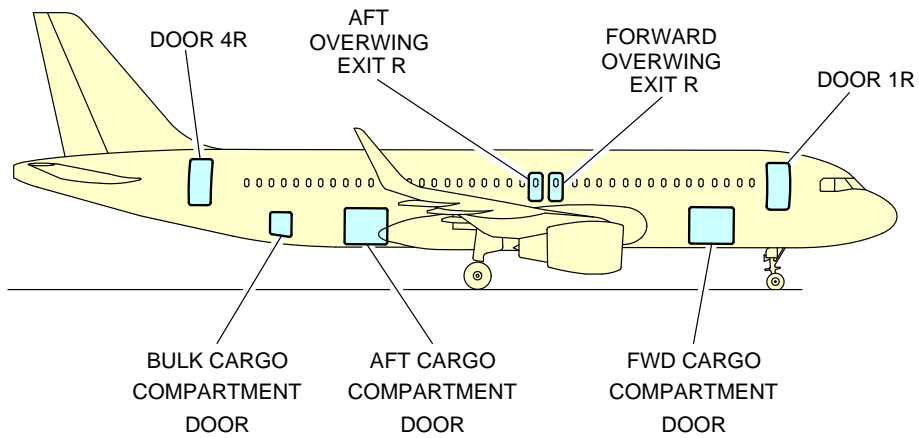
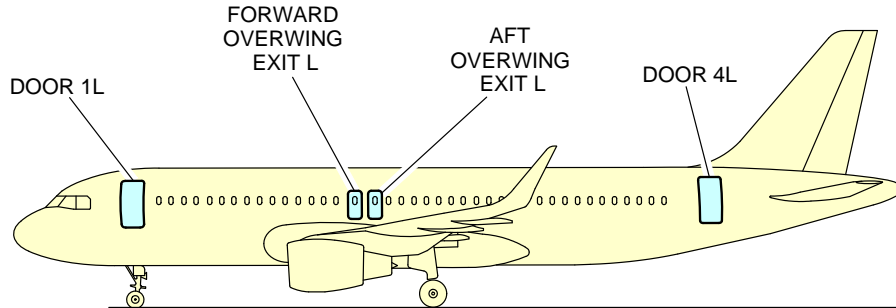
**2-7-0 Door Clearances and Location****\*\*ON A/C A320-200 A320neo**Door Clearances

1. This section gives door identification and location.

NOTE : Dimensions of the ground clearances are approximate and will change with tire type, weight and balance and other special conditions.



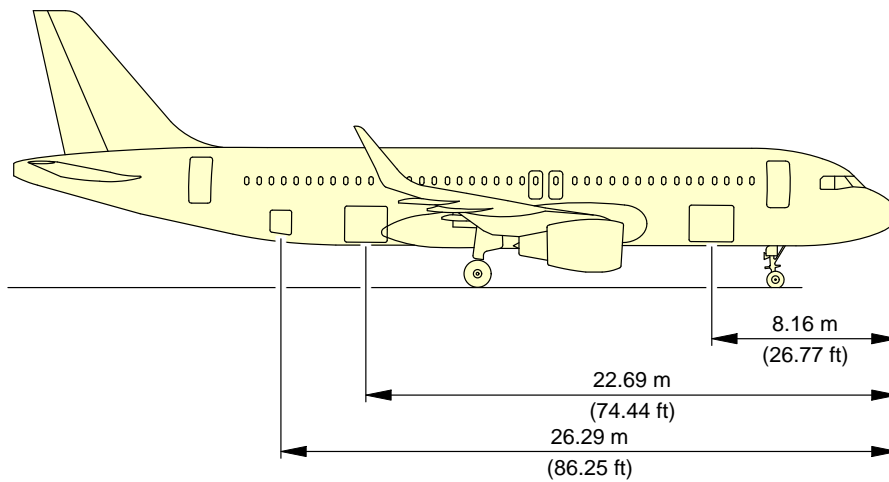
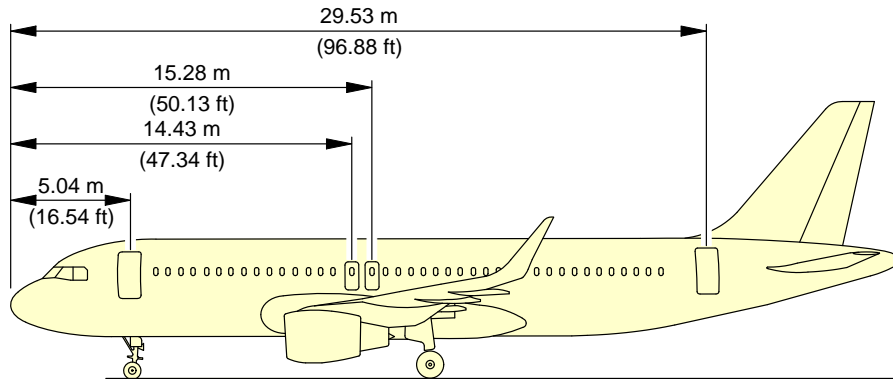
**\*\*ON A/C A320-200 A320neo**



N\_AC\_020700\_1\_0030101\_01\_01

Door Identification and Location  
Door Identification (Sheet 1 of 2)  
FIGURE-2-7-0-991-003-A01

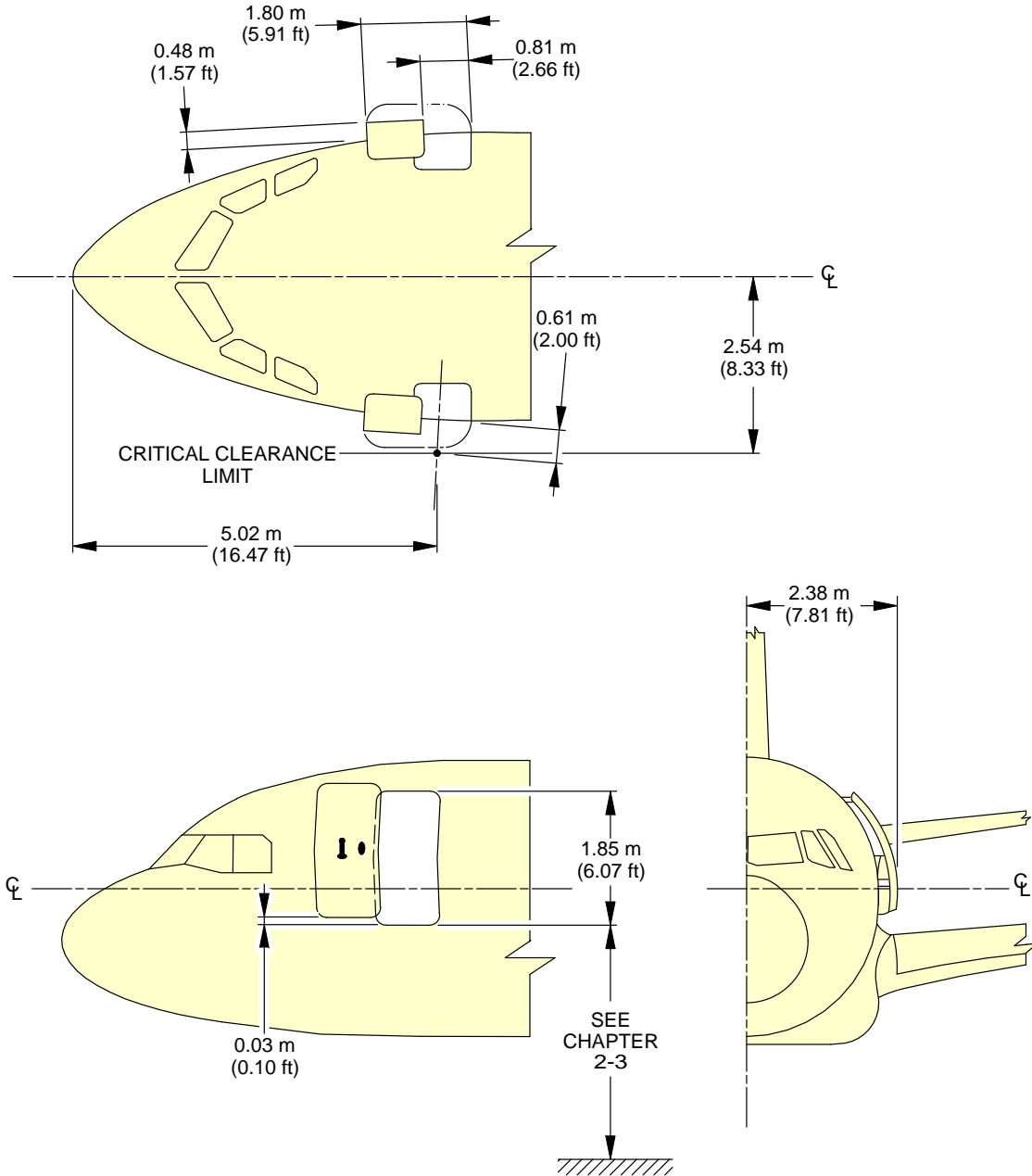
**\*\*ON A/C A320-200 A320neo**



N\_AC\_020700\_1\_0030102\_01\_00

Door Identification and Location  
Door Location (Sheet 2 of 2)  
FIGURE-2-7-0-991-003-A01

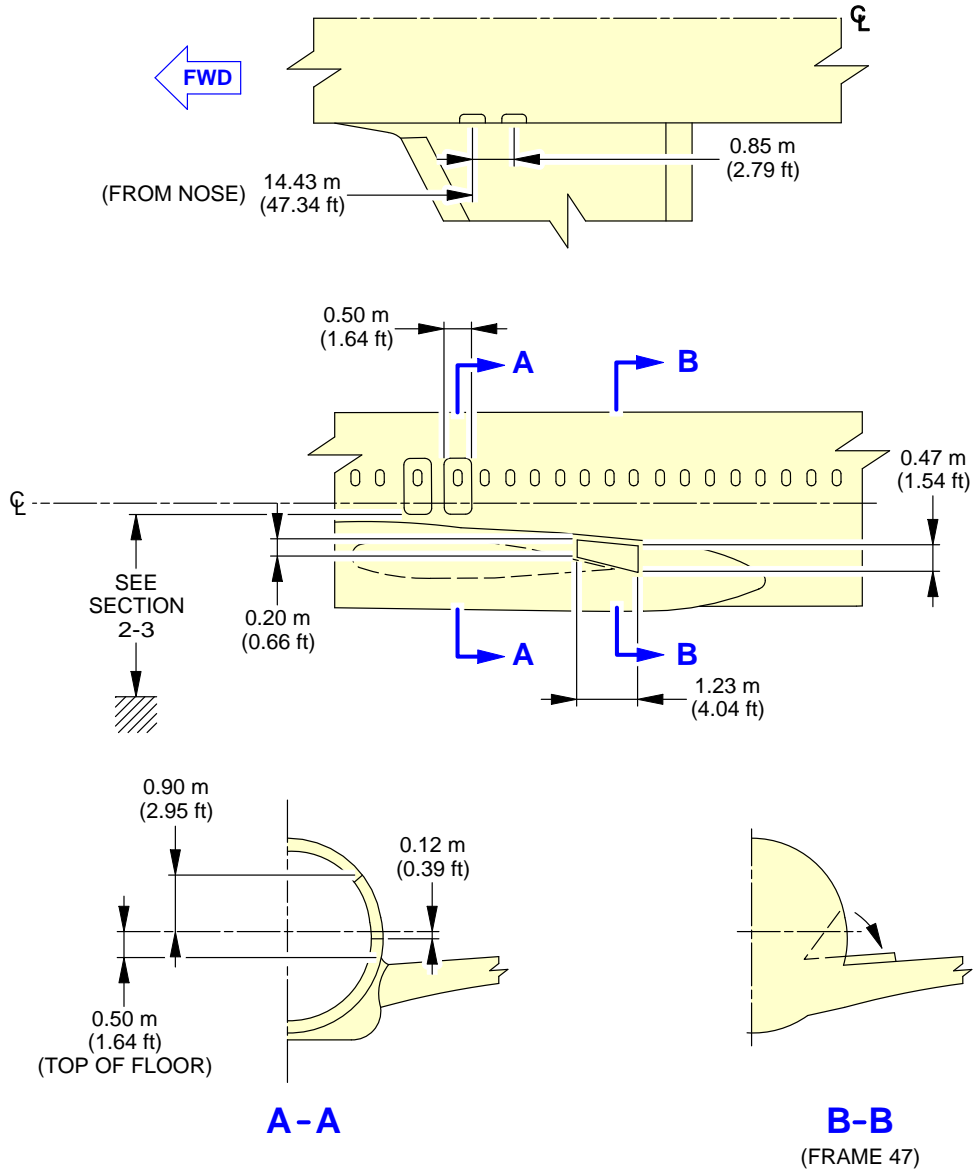
**\*\*ON A/C A320-200 A320neo**



N\_AC\_020700\_1\_0220101\_01\_00

Doors Clearances  
 Forward Passenger/Crew Doors  
 FIGURE-2-7-0-991-022-A01

**\*\*ON A/C A320-200 A320neo**

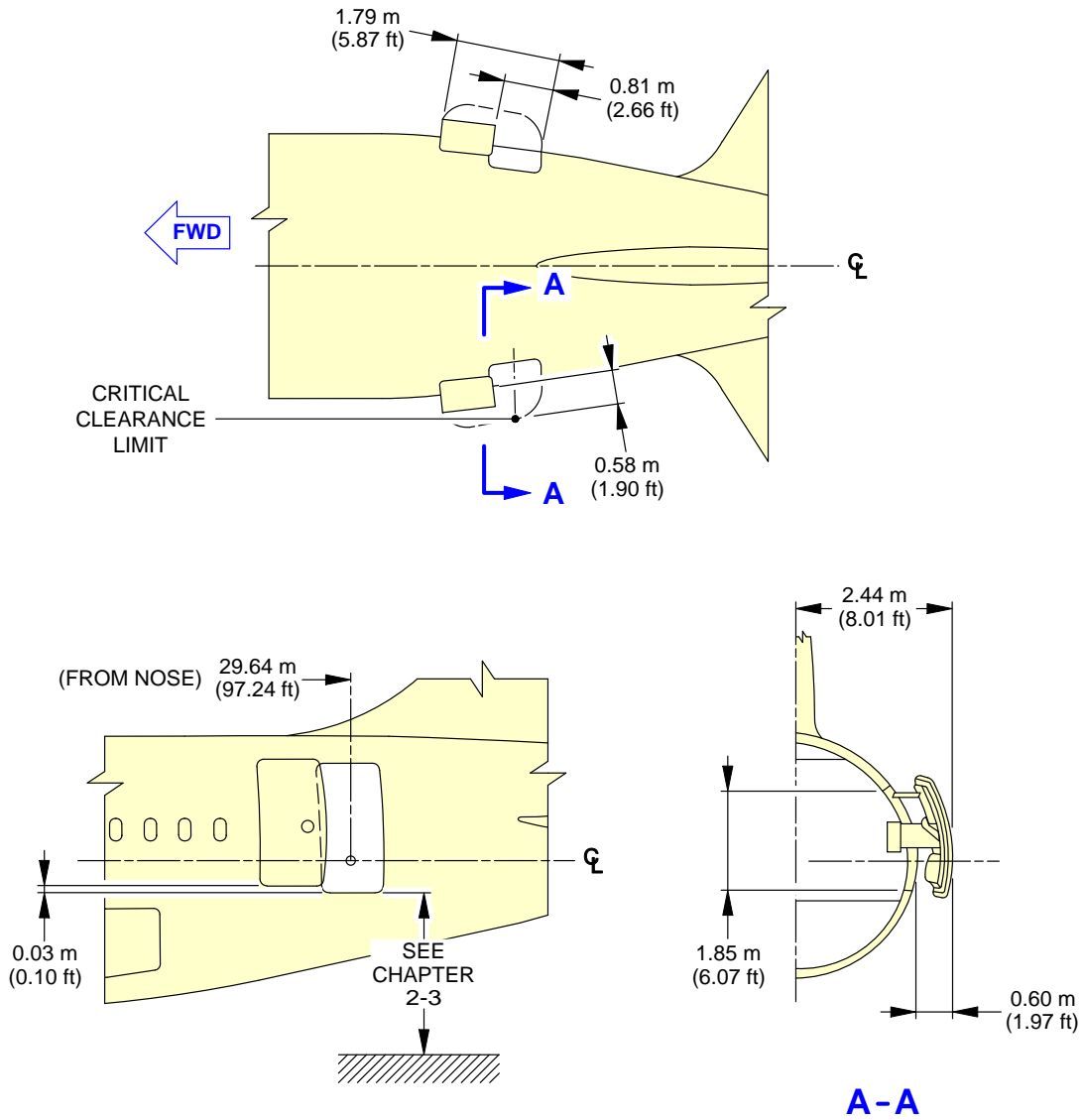


**NOTE:**  
ESCAPE SLIDE COMPARTMENT DOOR OPENS ON WING UPPER SURFACE.

N\_AC\_020700\_1\_0230101\_01\_00

Doors Clearances  
Emergency Exits  
FIGURE-2-7-0-991-023-A01

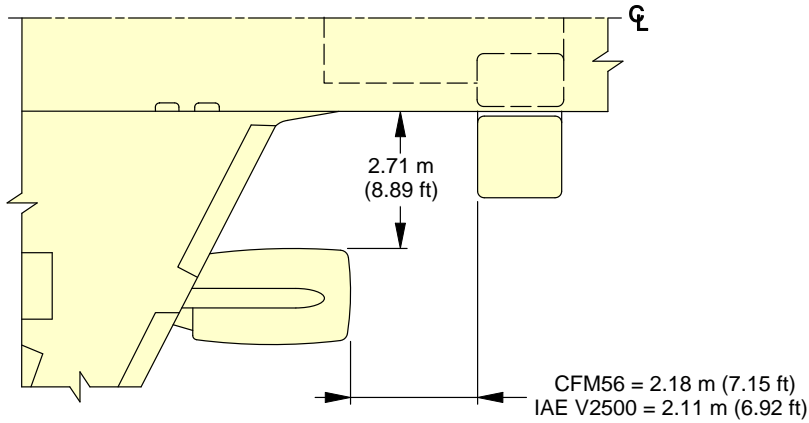
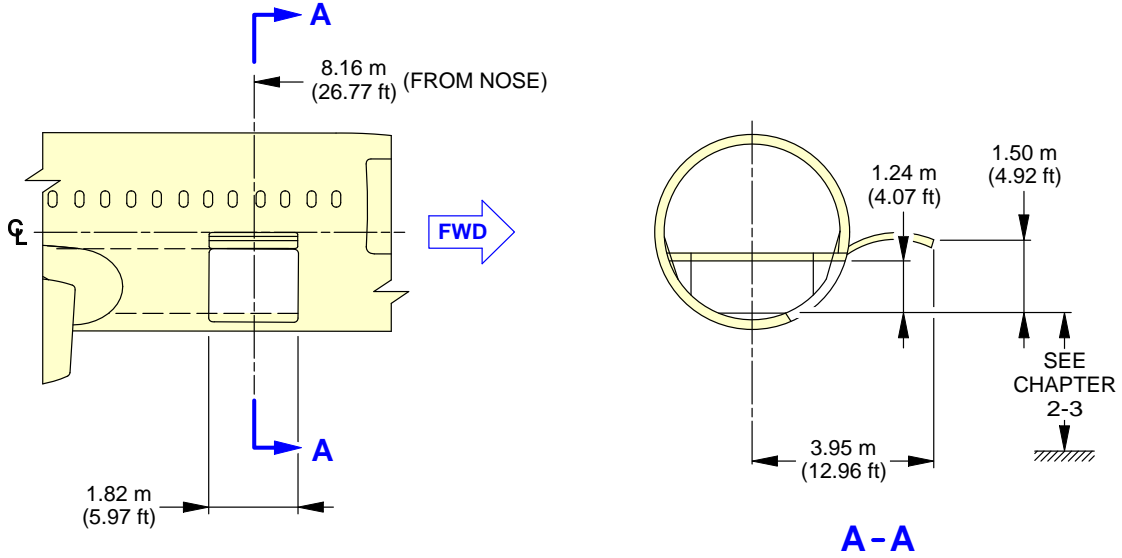
**\*\*ON A/C A320-200 A320neo**



N\_AC\_020700\_1\_0240101\_01\_00

Doors Clearances  
Aft Passenger/Crew Doors  
FIGURE-2-7-0-991-024-A01

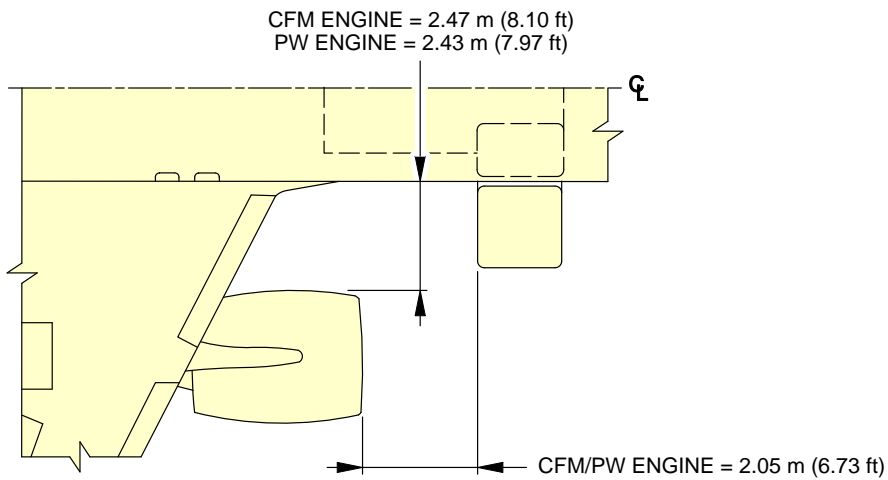
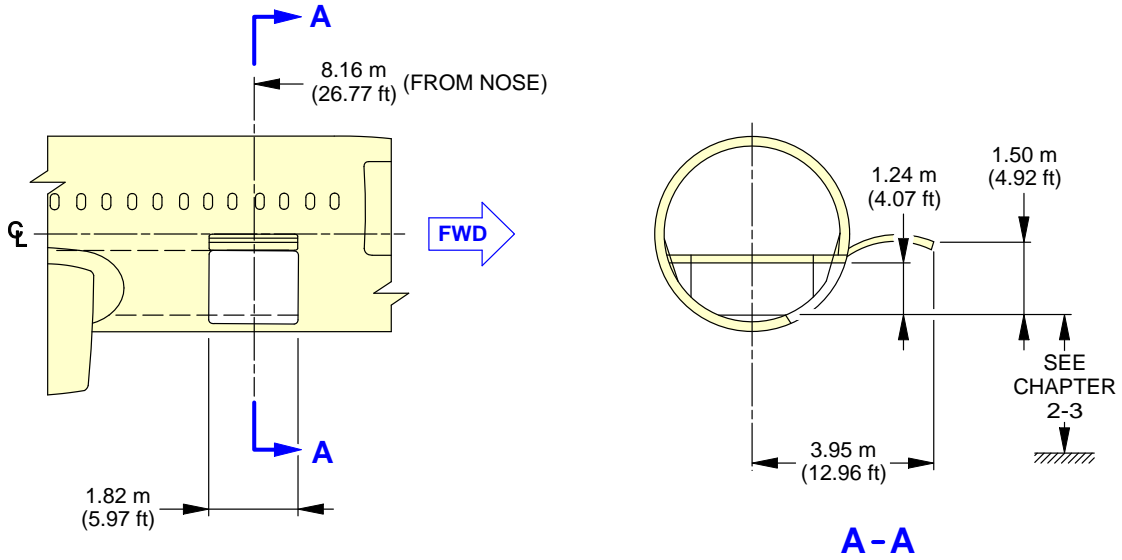
**\*\*ON A/C A320-200**



N\_AC\_020700\_1\_0250101\_01\_00

Door Clearances  
 Forward Cargo Compartment Door  
 FIGURE-2-7-0-991-025-A01

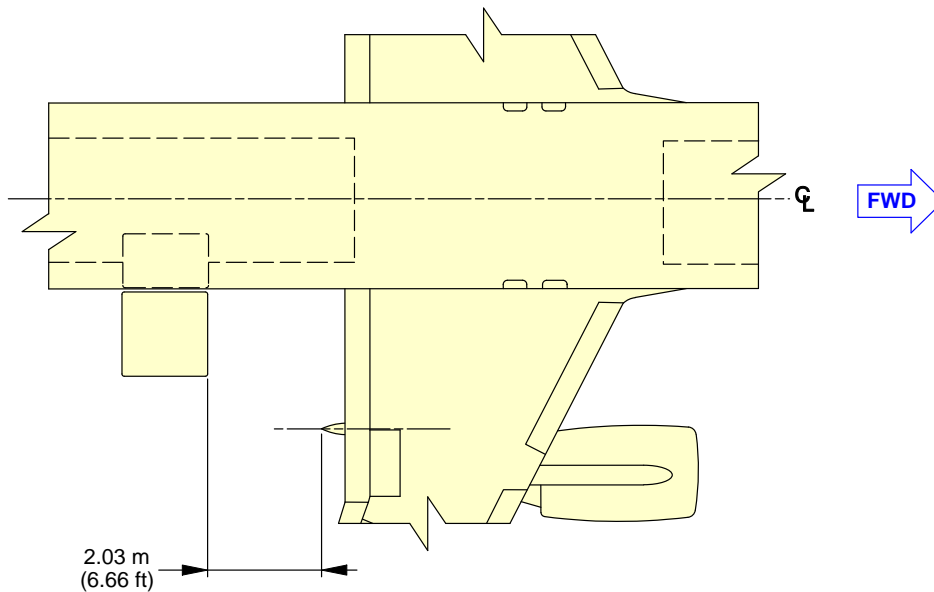
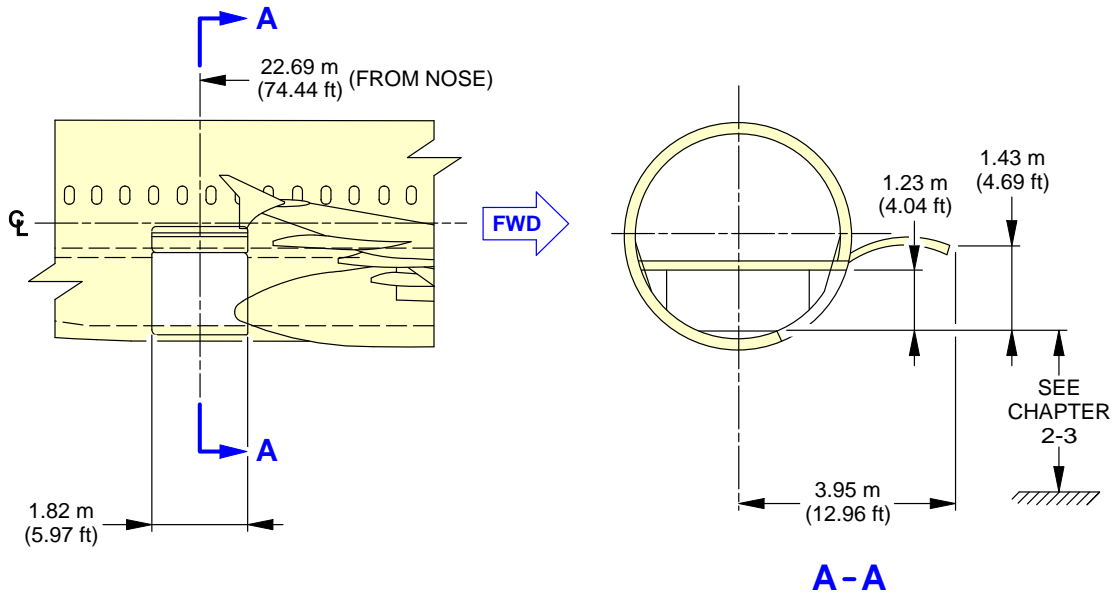
**\*\*ON A/C A320neo**



N\_AC\_020700\_1\_0260101\_01\_00

Door Clearances  
 Forward Cargo Compartment Door  
 FIGURE-2-7-0-991-026-A01

**\*\*ON A/C A320-200 A320neo**

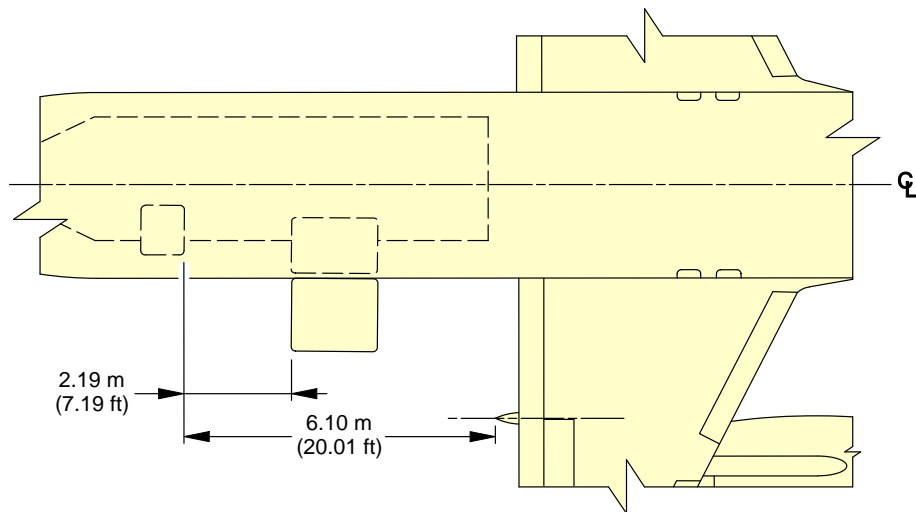
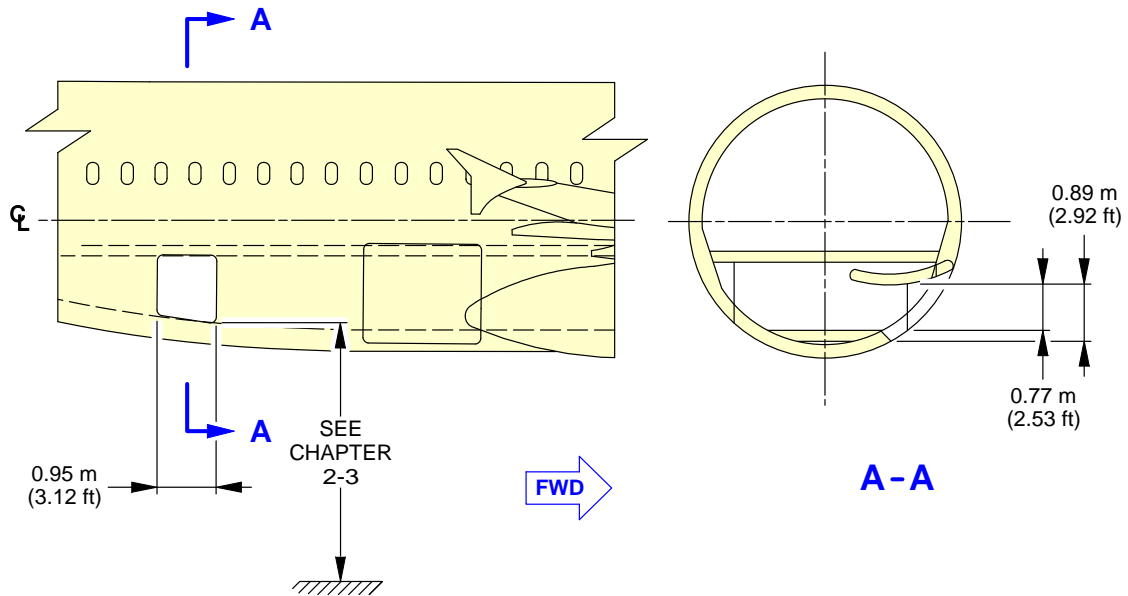


N\_AC\_020700\_1\_0270101\_01\_00

Doors Clearances  
Aft Cargo Compartment Door  
FIGURE-2-7-0-991-027-A01



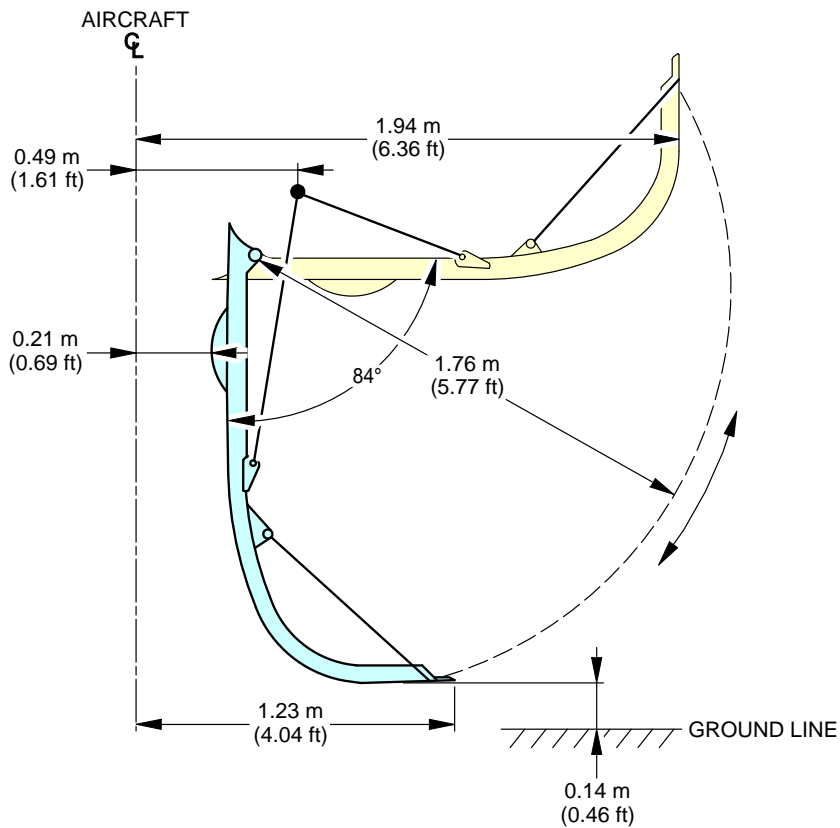
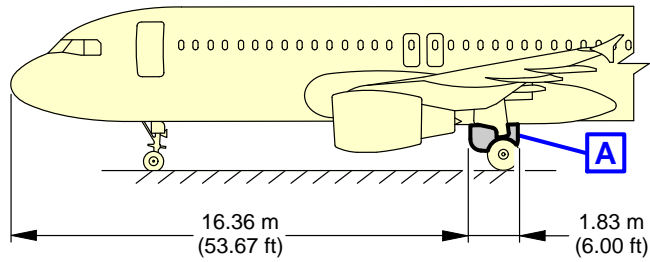
**\*\*ON A/C A320-200 A320neo**



N\_AC\_020700\_1\_0280101\_01\_00

Doors Clearances  
Bulk Cargo Compartment Door  
FIGURE-2-7-0-991-028-A01

**\*\*ON A/C A320-200 A320neo**



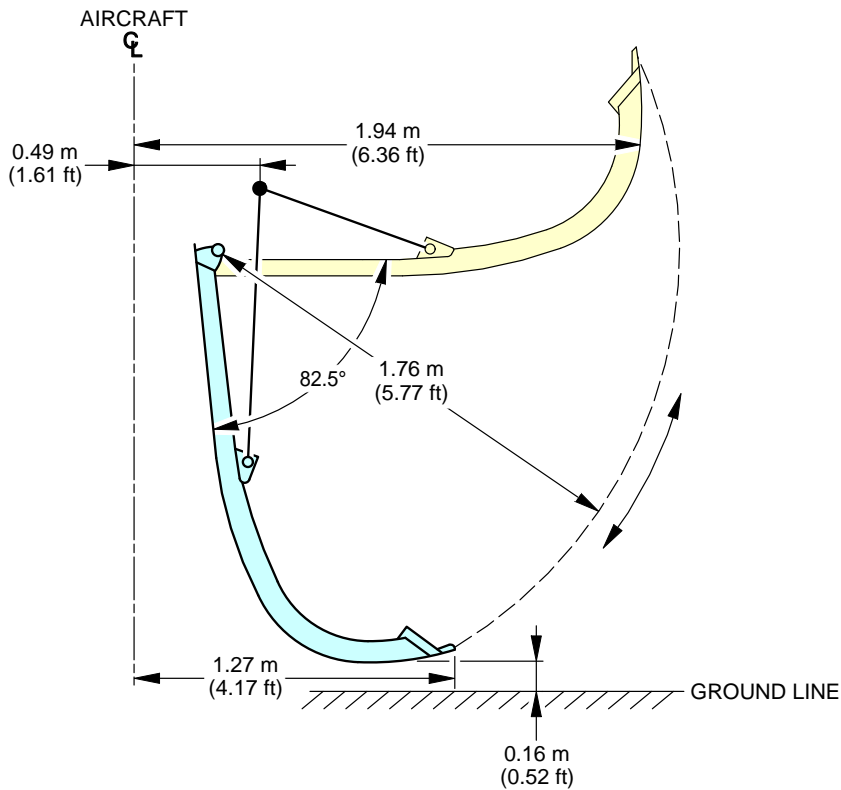
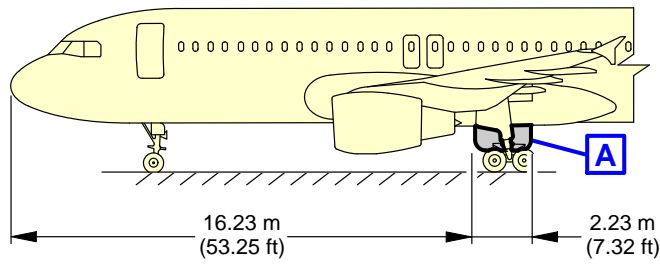
**NOTE:**  
VALUE OF CG: 25% RC.

**A**

N\_AC\_020700\_1\_0290101\_01\_00

Doors Clearances  
Main Landing Gear Doors  
FIGURE-2-7-0-991-029-A01

**\*\*ON A/C A320-200**



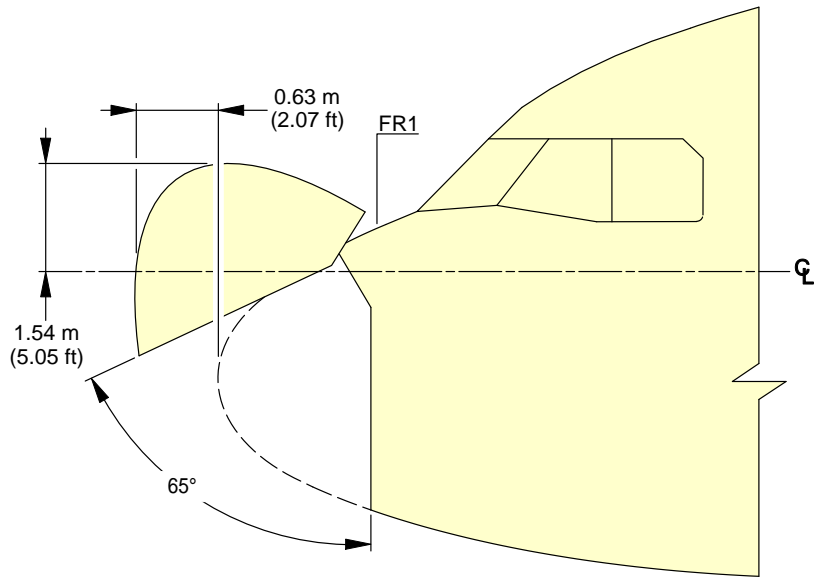
**NOTE:**  
VALUE OF CG: 25% RC.

**A**

N\_AC\_020700\_1\_0300101\_01\_00

Doors Clearances  
Main Landing Gear Doors (Bogie)  
FIGURE-2-7-0-991-030-A01

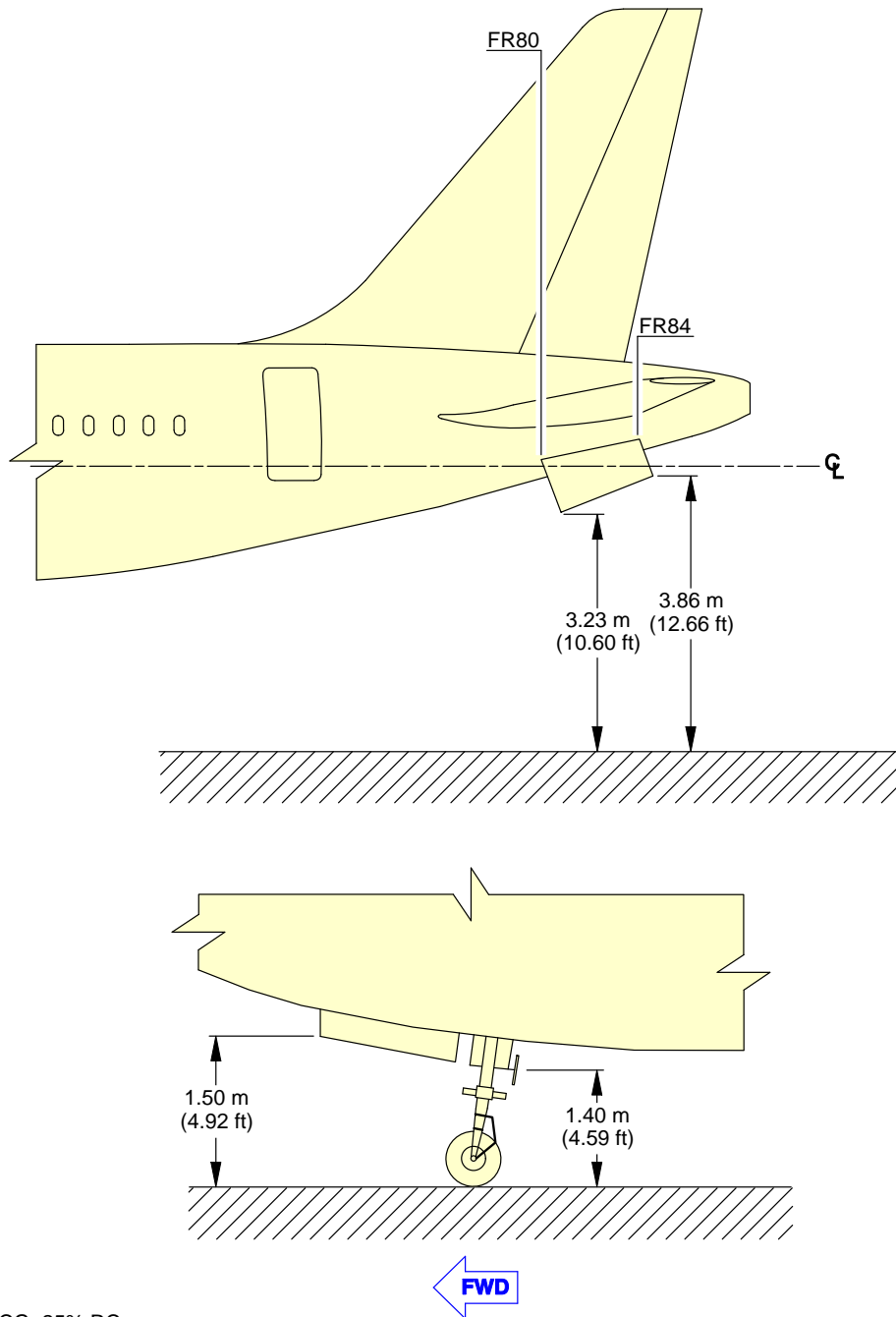
**\*\*ON A/C A320-200 A320neo**



N\_AC\_020700\_1\_0310101\_01\_00

Doors Clearances  
Radome  
FIGURE-2-7-0-991-031-A01

**\*\*ON A/C A320-200 A320neo**

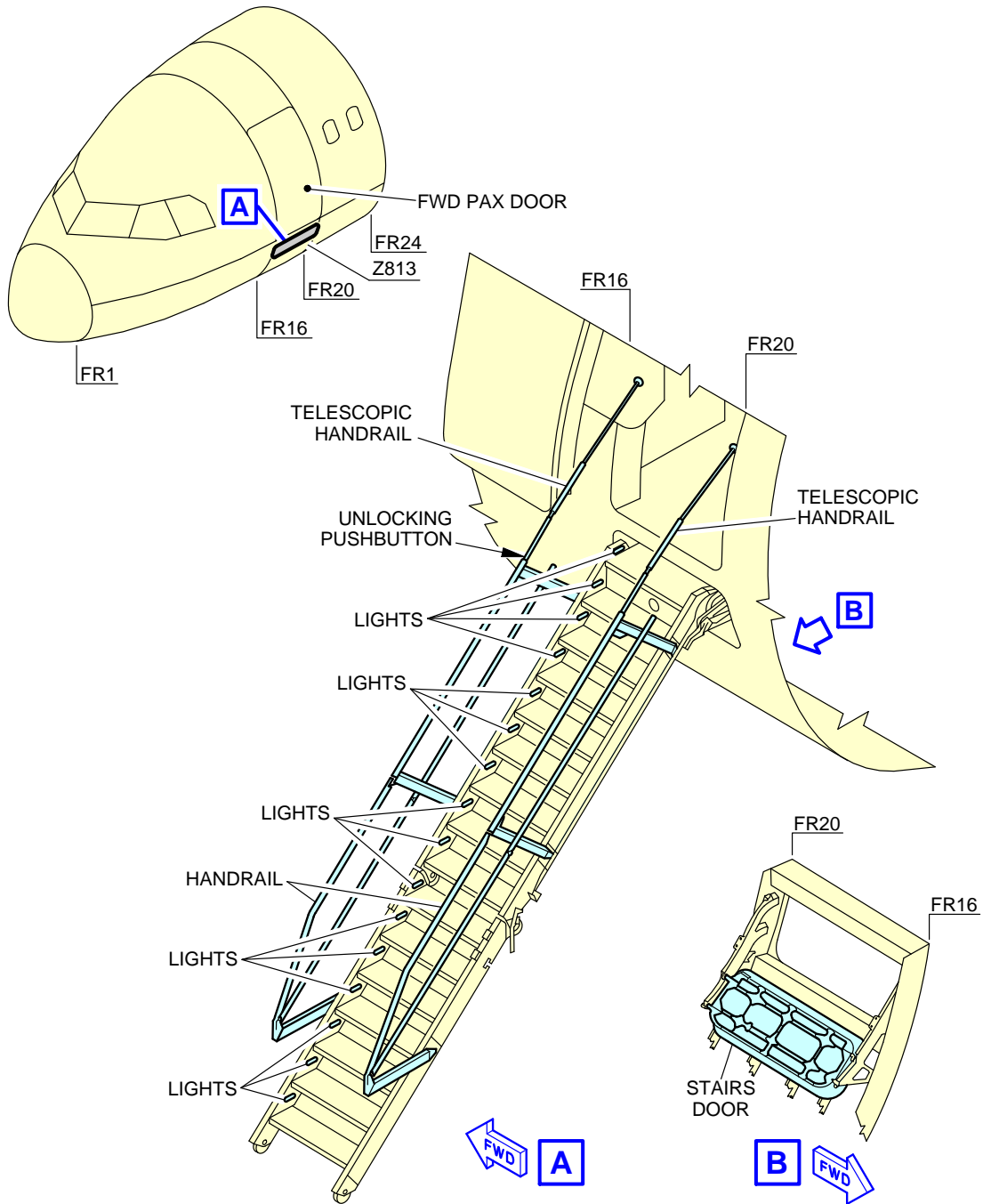


**NOTE:**  
VALUE OF CG: 25% RC.

N\_AC\_020700\_1\_0320101\_01\_00

Doors Clearances  
APU and Nose Landing Gear Doors  
FIGURE-2-7-0-991-032-A01

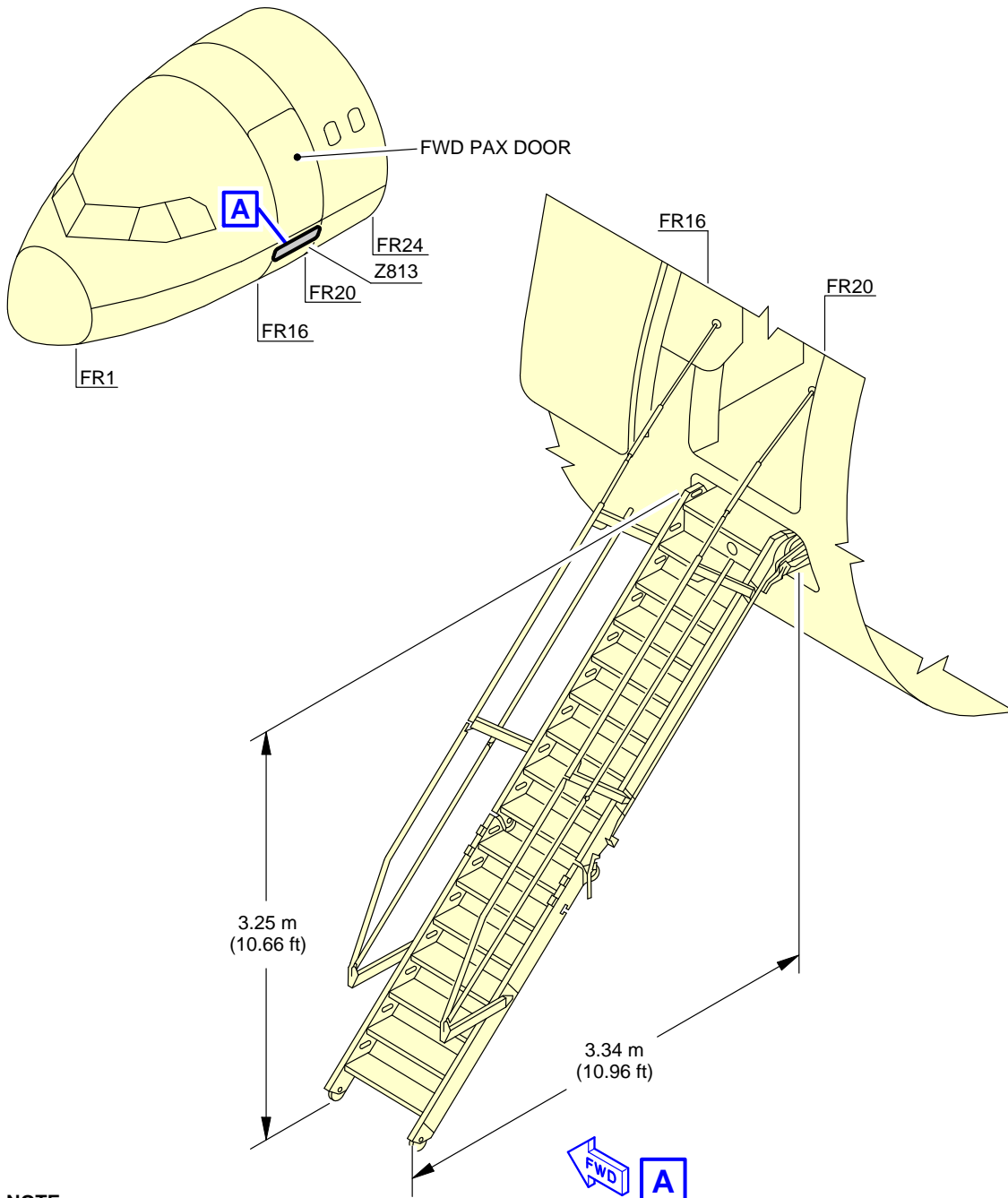
**\*\*ON A/C A320-200 A320neo**



N\_AC\_020700\_1\_0560101\_01\_00

Doors Clearances - Airstairs  
Location  
FIGURE-2-7-0-991-056-A01

**\*\*ON A/C A320-200 A320neo**

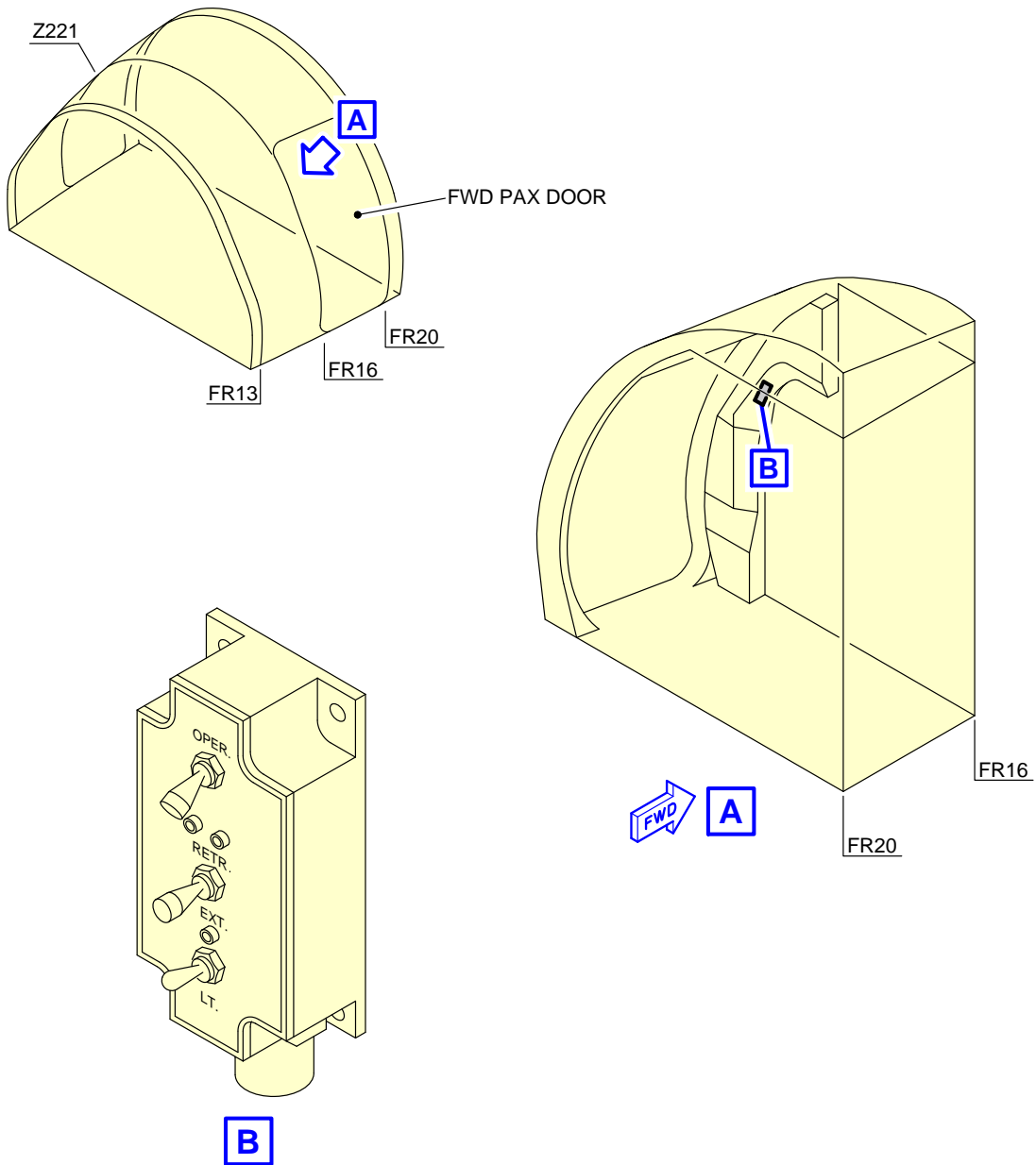


**NOTE:**  
THE VALUES GIVEN DEPEND ON THE POSITION OF CENTER OF GRAVITY (CG) AND THE AIRCRAFT WEIGHT.

N\_AC\_020700\_1\_0570101\_01\_00

Doors Clearances - Airstairs  
Dimensions  
FIGURE-2-7-0-991-057-A01

**\*\*ON A/C A320-200 A320neo**

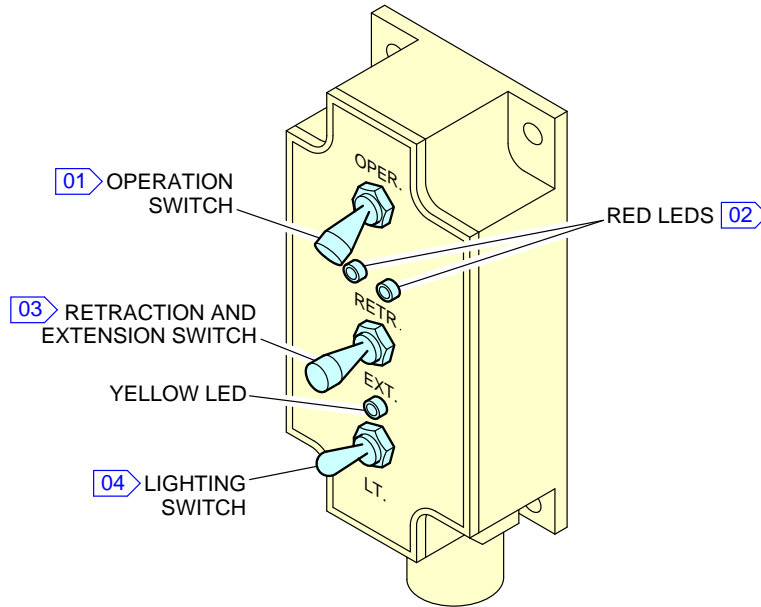


N\_AC\_020700\_1\_0580101\_01\_00

Doors Clearances - Airstairs  
Location for Operating the Airstairs  
FIGURE-2-7-0-991-058-A01



**\*\*ON A/C A320-200 A320neo**



**NOTE:**

- 01** OPER.: WHEN THE FLIGHT CREW PUSHES THIS SWITCH TO THE OPER. POSITION AND HOLDS IT AGAINST THE SPRING, THE STAIRS WILL EXTEND OR RETRACT IF THE FLIGHT CREW ALSO HOLDS THE RETRACTION AND EXTENSION SWITCH IN THE RETR. OR EXT. POSITION.  
OFF: OPERATION OF THE STAIRS IS PREVENTED.
- 02** THE TWO RED LIGHTS ARE ON DURING THE EXTENSION AND RETRACTION.
- 03** NEUTRAL: THIS IS THE STABLE, LOCKED POSITION. OPERATION OF THE STAIRS IS PREVENTED. TO MOVE IT FROM THIS POSITION, THE FLIGHT CREW MUST PULL THE SWITCH OUT.  
RETR.: WHEN THE FLIGHT CREW HOLDS THE SWITCH IN THIS POSITION AGAINST THE SPRING, THE STAIRS RETRACT IF:
  - THE OPERATION SWITCH IS HELD AT OPER.
  - THE TELESCOPIC HANDRAILS ARE FULLY STOWED.
- 04** UP: THE STAIR LIGHTS COMES ON ALONG WITH THE YELLOW CONTROL LIGHT, IF:
  - THE STAIRS ARE FULLY EXTENDED, AND
  - THE POWER IS AVAILABLE FROM DC BUS 2.
 DOWN: THE STAIR LIGHTS AND THE YELLOW CONTROL LIGHT ARE OFF.

N\_AC\_020700\_1\_0610101\_01\_00

Operation of the Airstairs  
FIGURE-2-7-0-991-061-A01

**2-8-0      Escape Slides****\*\*ON A/C A320-200 A320neo**Escape Slides

## 1. General

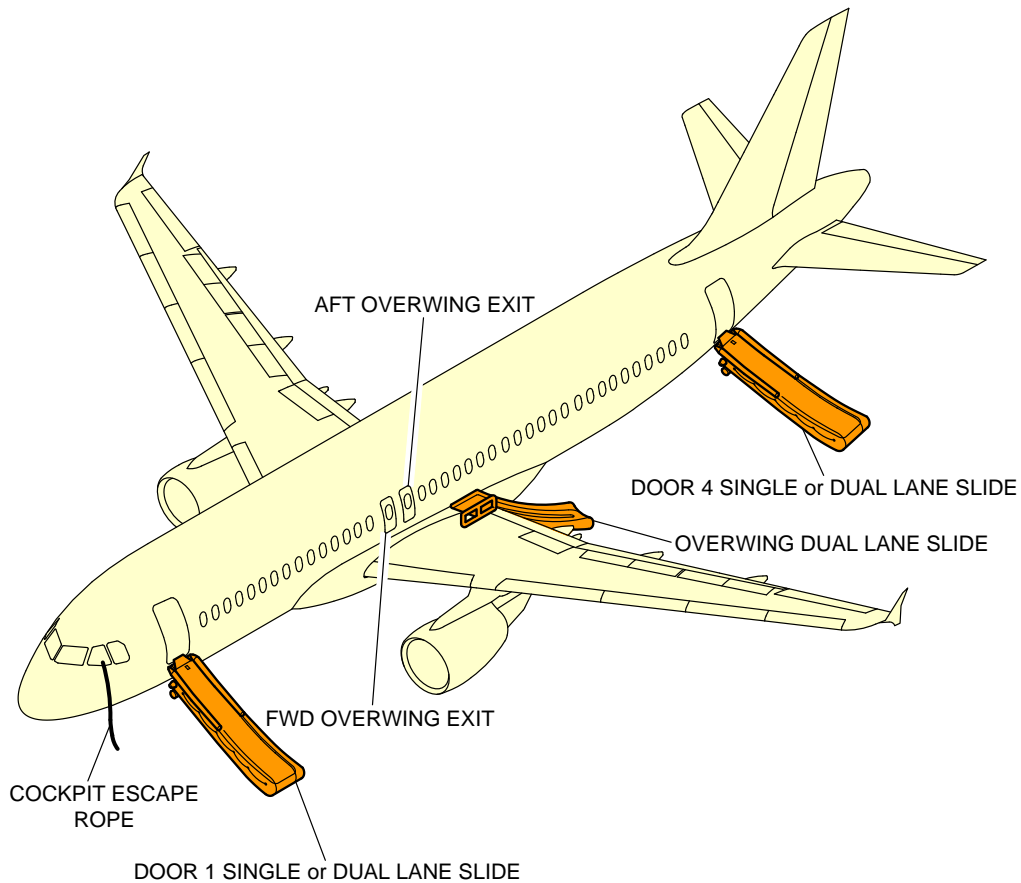
This section provides location of slides/rafts facilities and related clearances.

## 2. Location

Slides/rafts facilities are provided at the following locations:

- One single or dual lane slide at each door 1 & 4 (total four)
- Dual lane overwing slides are installed above the wings in the left and right wing-to-fuselage fairings for off-the-wing evacuation (total 2).

**\*\*ON A/C A320-200 A320neo**

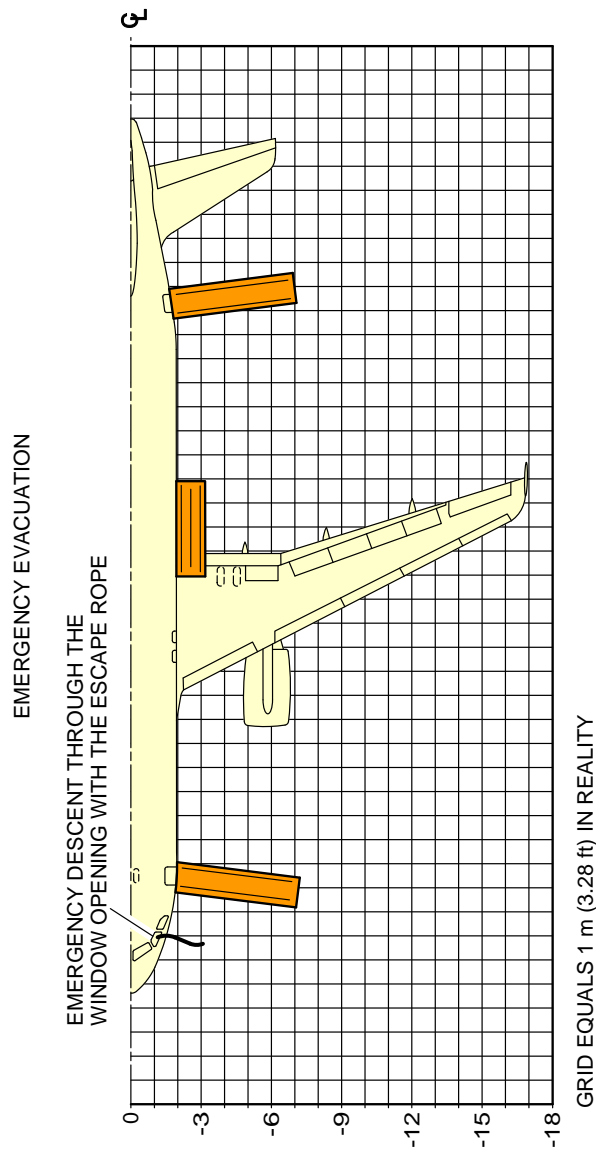


**NOTE:**  
LH SHOWN, RH SYMMETRICAL.

N\_AC\_020800\_1\_0050101\_01\_04

Escape Slides  
Location  
FIGURE-2-8-0-991-005-A01

**\*\*ON A/C A320-200 A320neo**



**NOTE:**  
 - LH SHOWN, RH SYMMETRICAL.  
 - DIMENSIONS ARE APPROXIMATE.

N\_AC\_020800\_1\_0060101\_01\_02

Escape Slides  
 Dimensions  
 FIGURE-2-8-0-991-006-A01

## 2-9-0 Landing Gear

**\*\*ON A/C A320-200 A320neo**

### Landing Gear

#### 1. General

The landing gear is of the conventional retractable tricycle type comprising:

- Two main gears with twin-wheel or four-wheel bogie assembly,
- A twin-wheel nose gear.

The main landing gears are located under the wing and retract sideways towards the fuselage centerline.

The nose landing gear retracts forward into a fuselage compartment located between FR9 and FR20.

The landing gears and landing gear doors are operated and controlled electrically and hydraulically.

In abnormal operation, the landing gear can be extended by gravity.

For landing gear footprint and tire size, refer to 07-02-00.

#### 2. Main Landing Gear

##### A. Twin-Wheel

Each of the two main landing gear assemblies consists of a conventional two-wheel direct type with an integral shock absorber supported in the fore and aft directions by a fixed drag strut and laterally by a folding strut mechanically locked when in the DOWN position.

#### 3. Nose Landing Gear

The nose landing gear consists of a leg with a built-in shock absorber strut, carrying twin wheels with adequate shimmy damping and a folding strut mechanically locked when in the DOWN position.

#### 4. Nose Wheel Steering

Steering is controlled by two hand wheels in the cockpit. For steering angle controlled by the hand wheels, refer to AMM 32-51-00.

For steering angle limitation, refer to AMM 09-10-00.

A steering disconnection box is installed on the nose landing gear to allow steering deactivation for towing purposes.

## 5. Landing Gear Servicing Points

### A. General

Filling of the landing-gear shock absorbers is done through MIL-PRF-6164 standard valves.

Charging of the landing-gear shock absorbers is accomplished with nitrogen through MIL-PRF-6164 standard valves.

### B. Charging Pressure

For charging of the landing-gear shock absorbers, refer to AMM 12-14-32.

## 6. Braking

### A. General

The four main wheels are equipped with carbon multidisc brakes.

The braking system is electrically controlled and hydraulically operated.

The braking system has four braking modes plus autobrake and anti-skid systems:

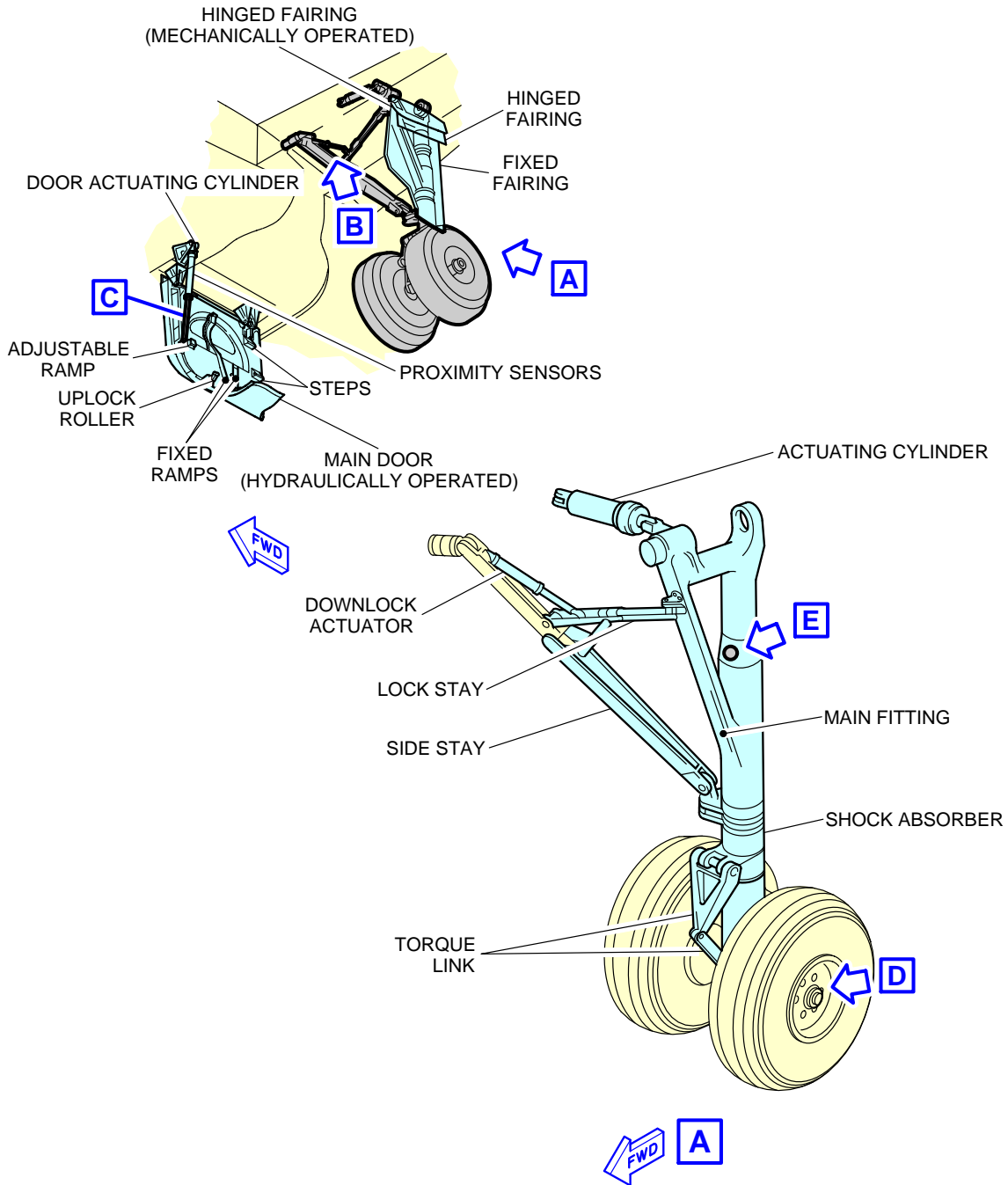
- Normal braking with anti-skid capability,
- Alternative braking with anti-skid capability,
- Alternative braking without anti-skid capability,
- Parking brake with full pressure application capability only.

### B. In-Flight Wheel Braking

The main gear wheels are braked automatically before the wheels enter the wheel bay.

The nose gear wheels are stopped by the wheels contacting a rubbing strip (the brake band) when the gear is in the retracted position.

**\*\*ON A/C A320-200 A320neo**

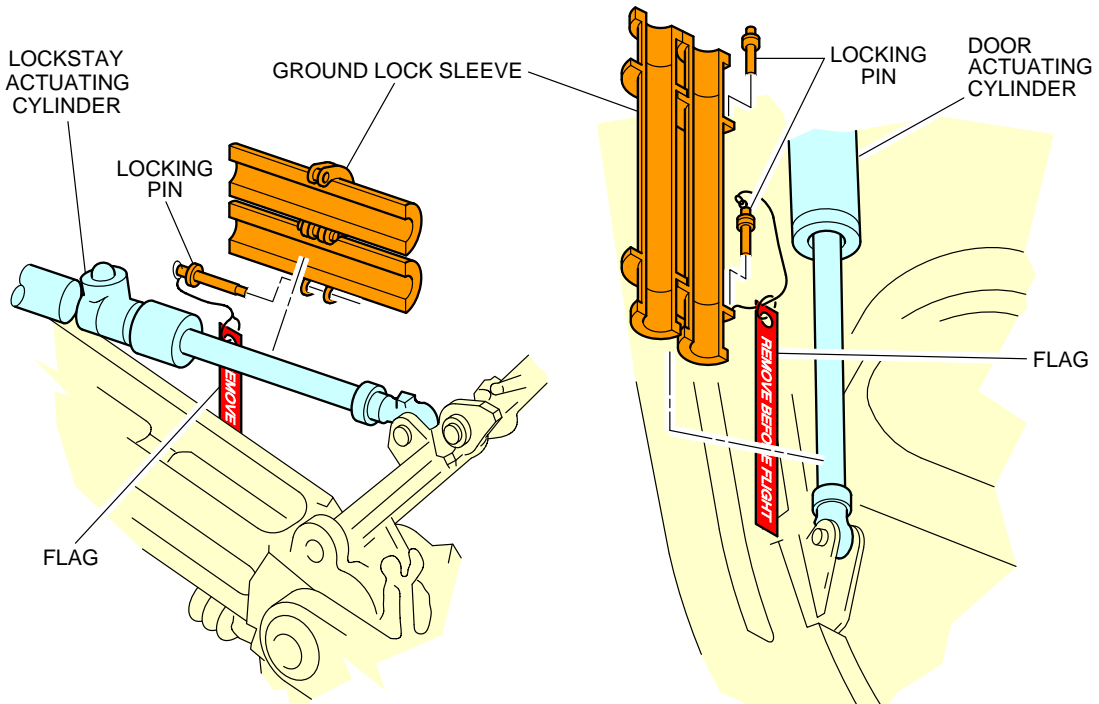


NOTE: MAIN DOOR SHOWN OPEN IN GROUND MAINTENANCE POSITION.

N\_AC\_020900\_1\_0100101\_01\_00

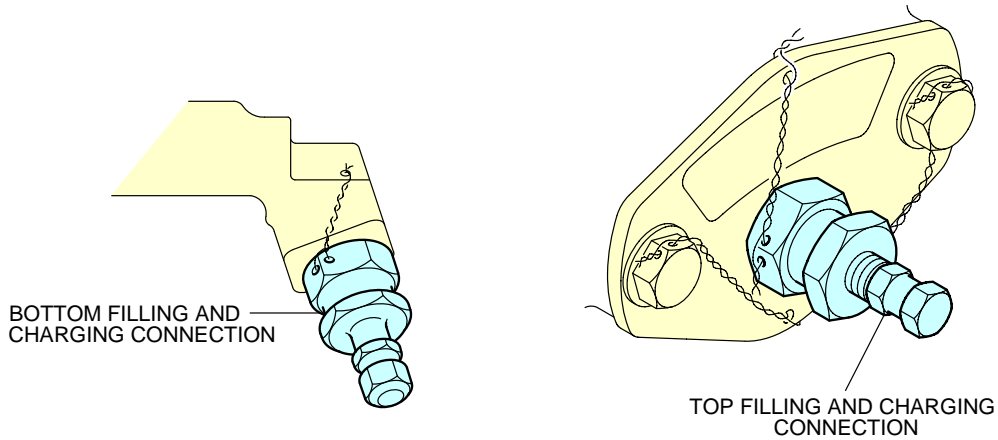
Landing Gear  
Main Landing Gear - Twin-Wheel (Sheet 1 of 2)  
FIGURE-2-9-0-991-010-A01

**\*\*ON A/C A320-200 A320neo**



**B**

**C**



**D**

**E**

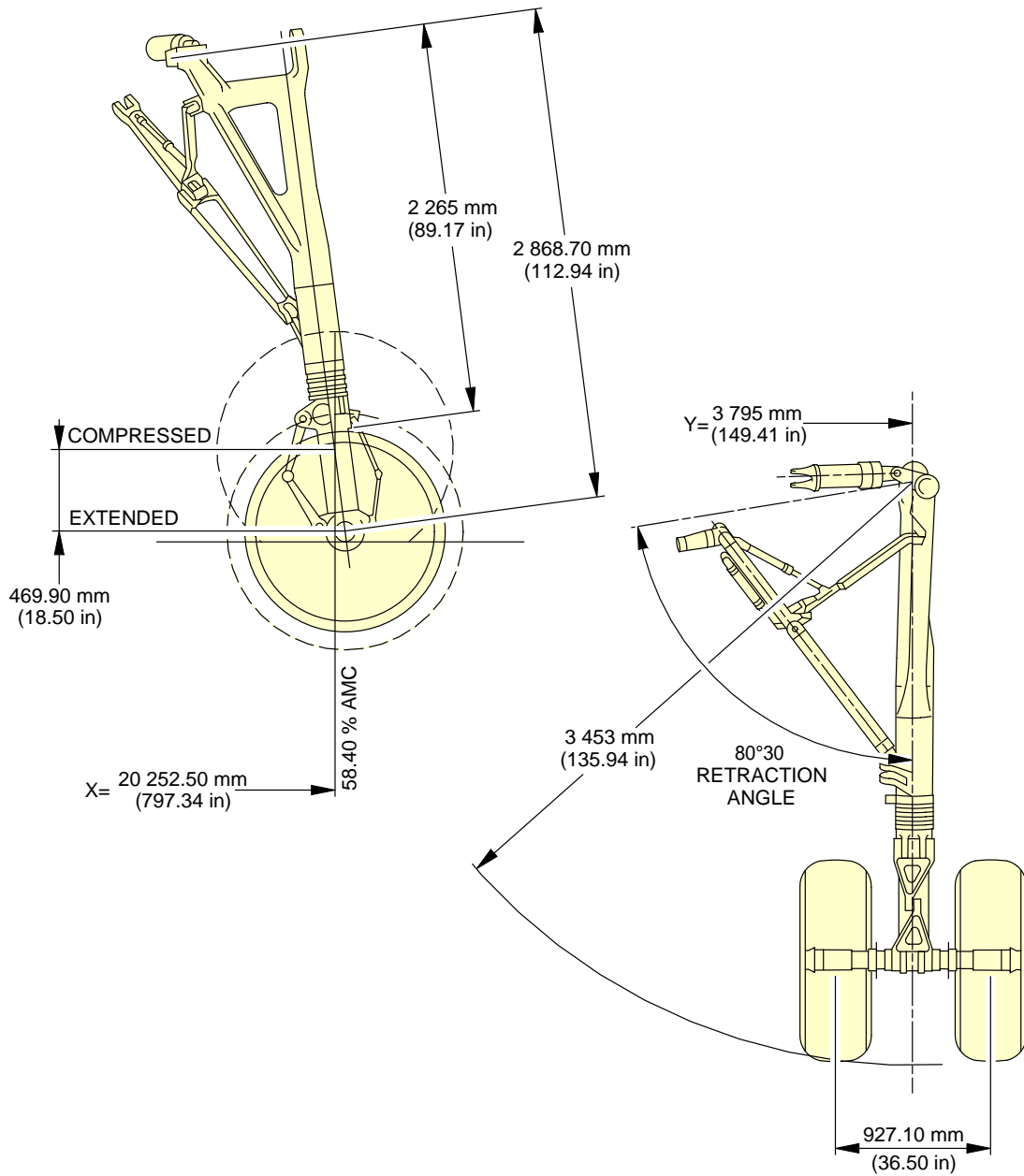
EXAMPLE

N\_AC\_020900\_1\_0100102\_01\_01

Landing Gear  
Main Landing Gear - Twin-Wheel (Sheet 2 of 2)  
FIGURE-2-9-0-991-010-A01



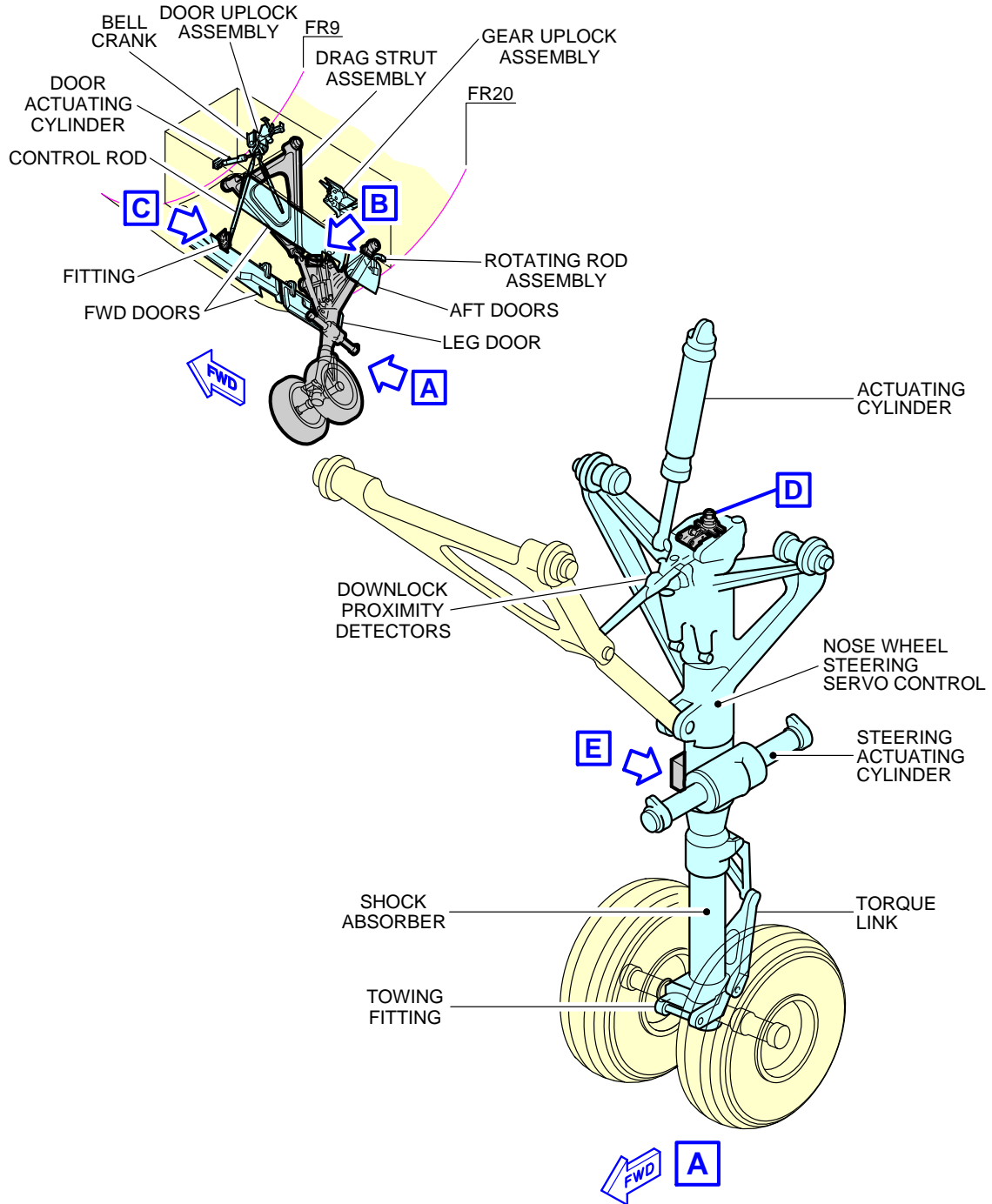
**\*\*ON A/C A320-200 A320neo**



N\_AC\_020900\_1\_0110101\_01\_00

Landing Gear  
Main Landing Gear Dimensions - Twin-Wheel  
FIGURE-2-9-0-991-011-A01

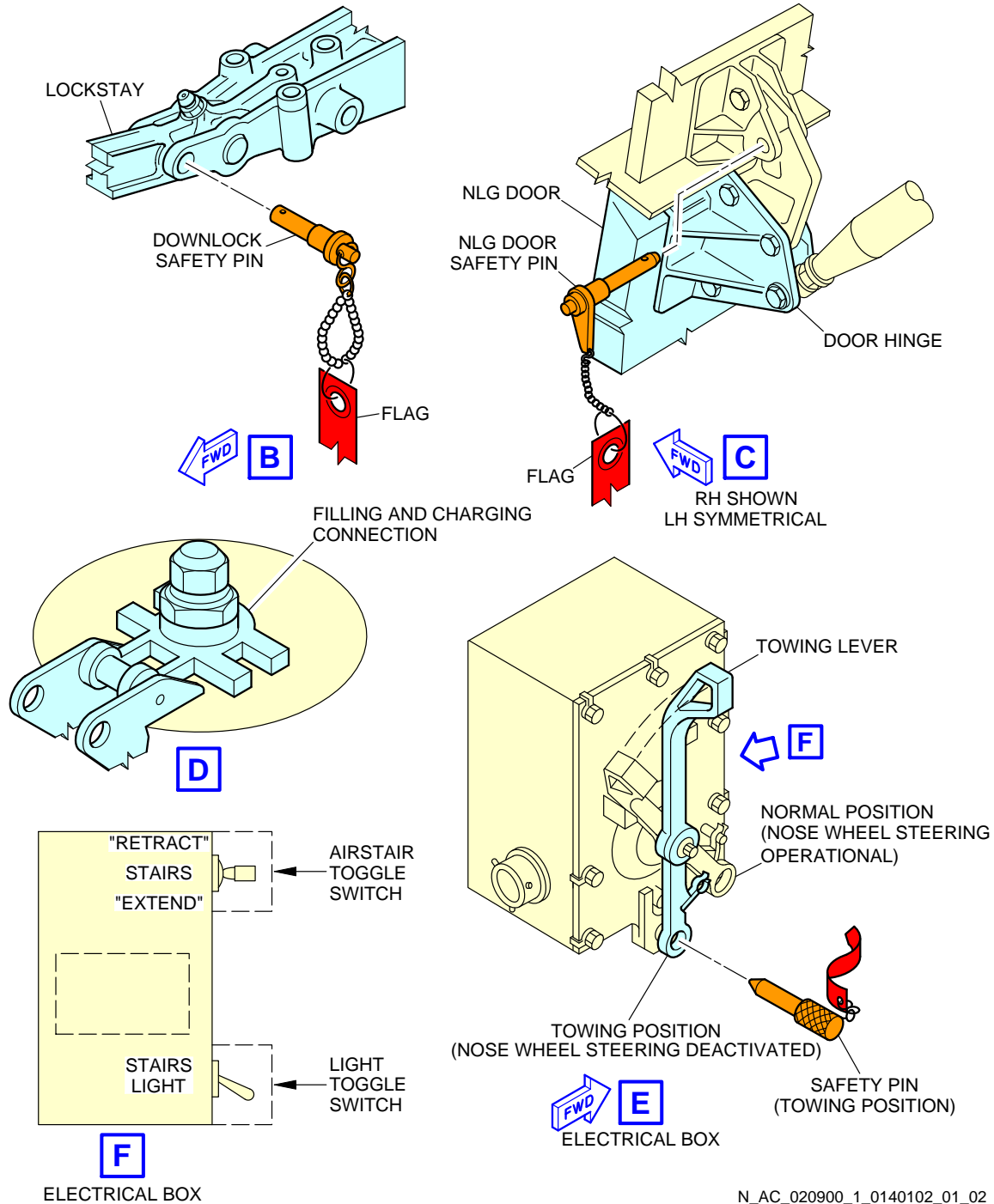
**\*\*ON A/C A320-200 A320neo**



N\_AC\_020900\_1\_0140101\_01\_00

Landing Gear  
 Nose Landing Gear (Sheet 1 of 2)  
 FIGURE-2-9-0-991-014-A01

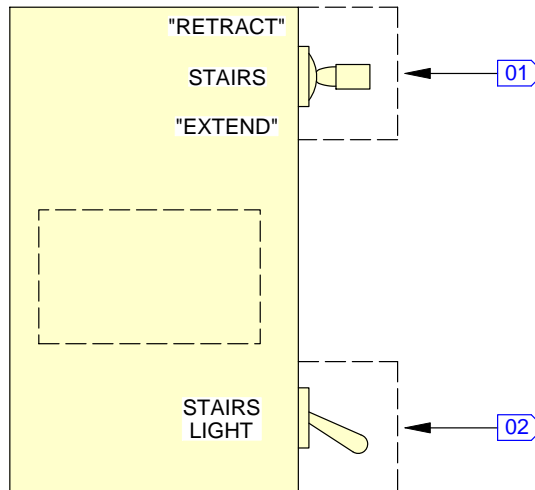
**\*\*ON A/C A320-200 A320neo**



N\_AC\_020900\_1\_0140102\_01\_02

Landing Gear  
Nose Landing Gear (Sheet 2 of 2)  
FIGURE-2-9-0-991-014-A01

**\*\*ON A/C A320-200 A320neo**



**NOTE:**

**01** STAIRS SW

NEUTRAL: THIS STABLE AND LOCKED POSITION PREVENTS OPERATION OF THE AIRSTAIRS. THE FLIGHT CREW MUST PULL THE SWITCH OUT TO MOVE IT FROM THE NEUTRAL POSITION.

RETRACT: WHEN GROUND CREW HOLDS THE SWITCH AGAINST THE SPRING IN THIS POSITION, THE AIRSTAIRS RETRACT IF THE TELESCOPIC HANDRAILS ARE FULLY STOWED.

EXTEND: WHEN GROUND CREW HOLDS THE SWITCH AGAINST THE SPRING IN THIS POSITION, THE AIRSTAIRS EXTEND.

**02** STAIRS LIGHT

UP: STAIR LIGHTS COME ON, AS DOES THE YELLOW CONTROL LIGHT IN THE CABIN, IF:

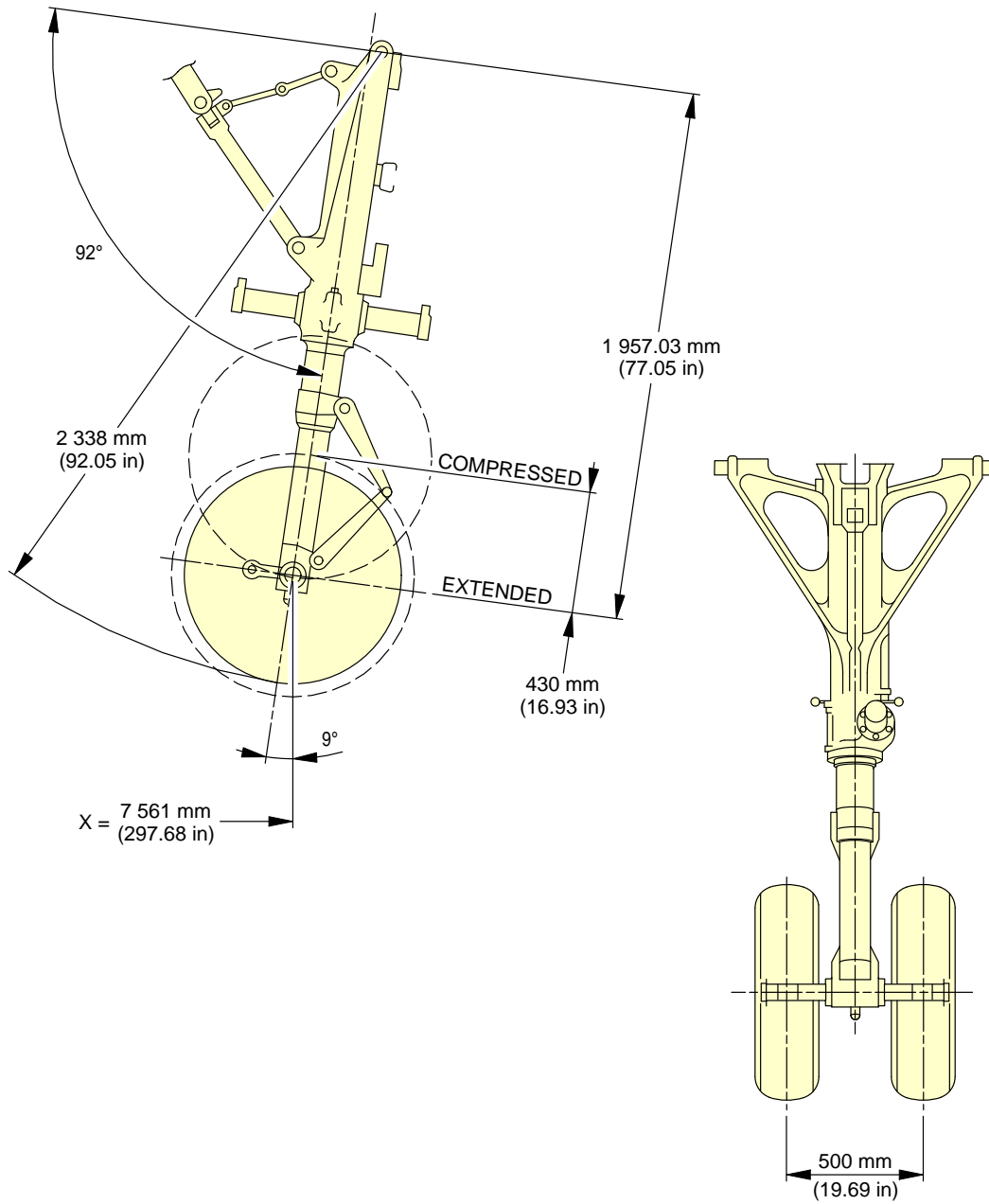
- THE STAIRS ARE FULLY EXTENDED, AND
- POWER IS AVAILABLE FROM DC BUS 2.

DOWN: STAIR LIGHTS AND YELLOW CONTROL LIGHT ARE OFF.

N\_AC\_020900\_1\_0300101\_01\_00

Operation of Airstairs for ACJ  
FIGURE-2-9-0-991-030-A01

**\*\*ON A/C A320-200 A320neo**



N\_AC\_020900\_1\_0150101\_01\_00

Landing Gear  
Nose Landing Gear Dimensions  
FIGURE-2-9-0-991-015-A01

**\*\*ON A/C A320-200 A320neo**Landing Gear Maintenance Pits

## 1. Description

The minimum maintenance pit envelopes for the landing-gear shock absorber removal are shown in FIGURE 2-9-0-991-024-A and FIGURE 2-9-0-991-025-A.

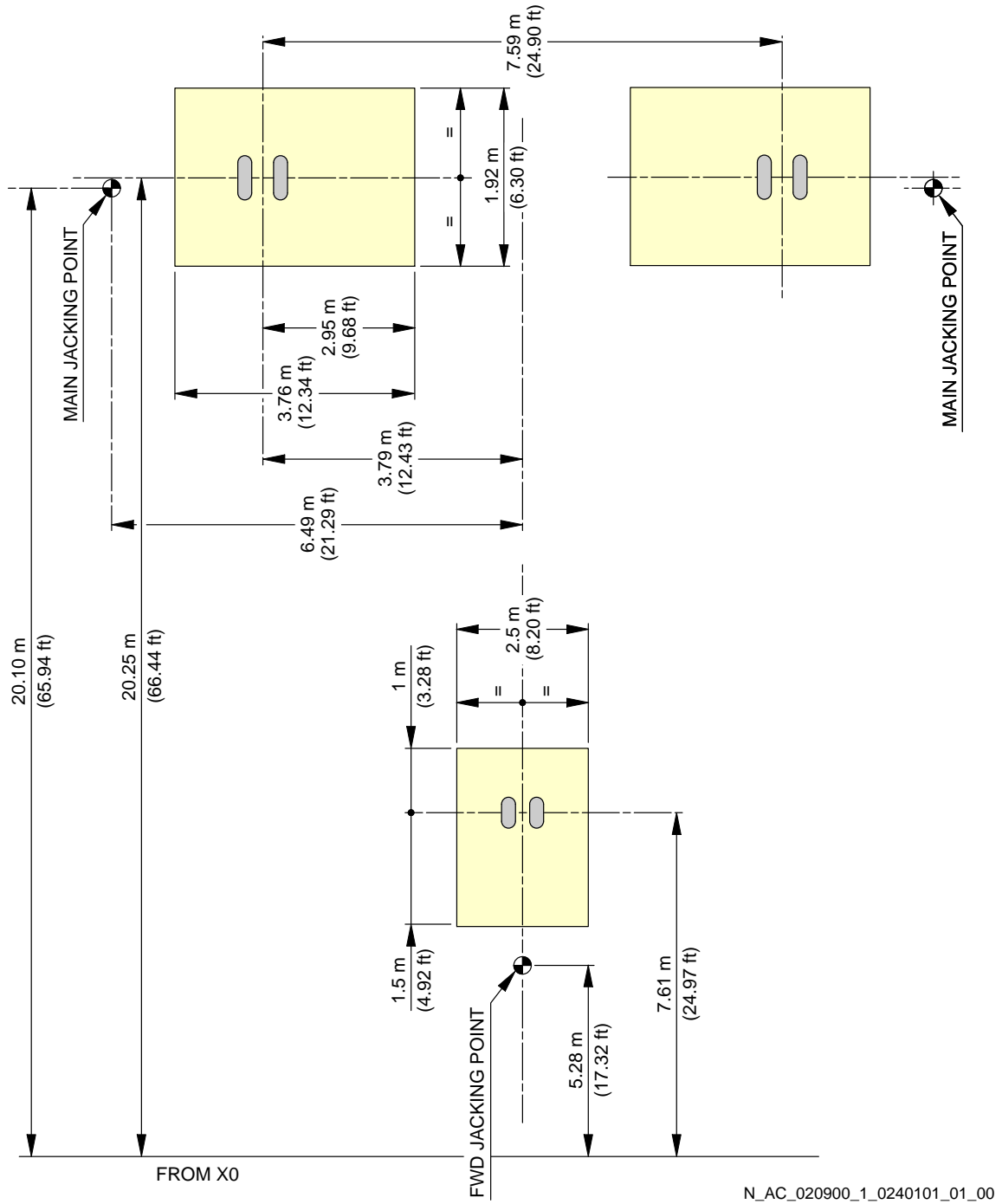
All dimensions shown are minimum dimensions with zero clearances.

The dimensions for the pits have been determined as follows:

- The length and width of the pits allow the gear to rotate as the weight is taken off the landing gear.
- The depth of the pits allows the shock absorber to be removed when all the weight is taken off the landing gear.

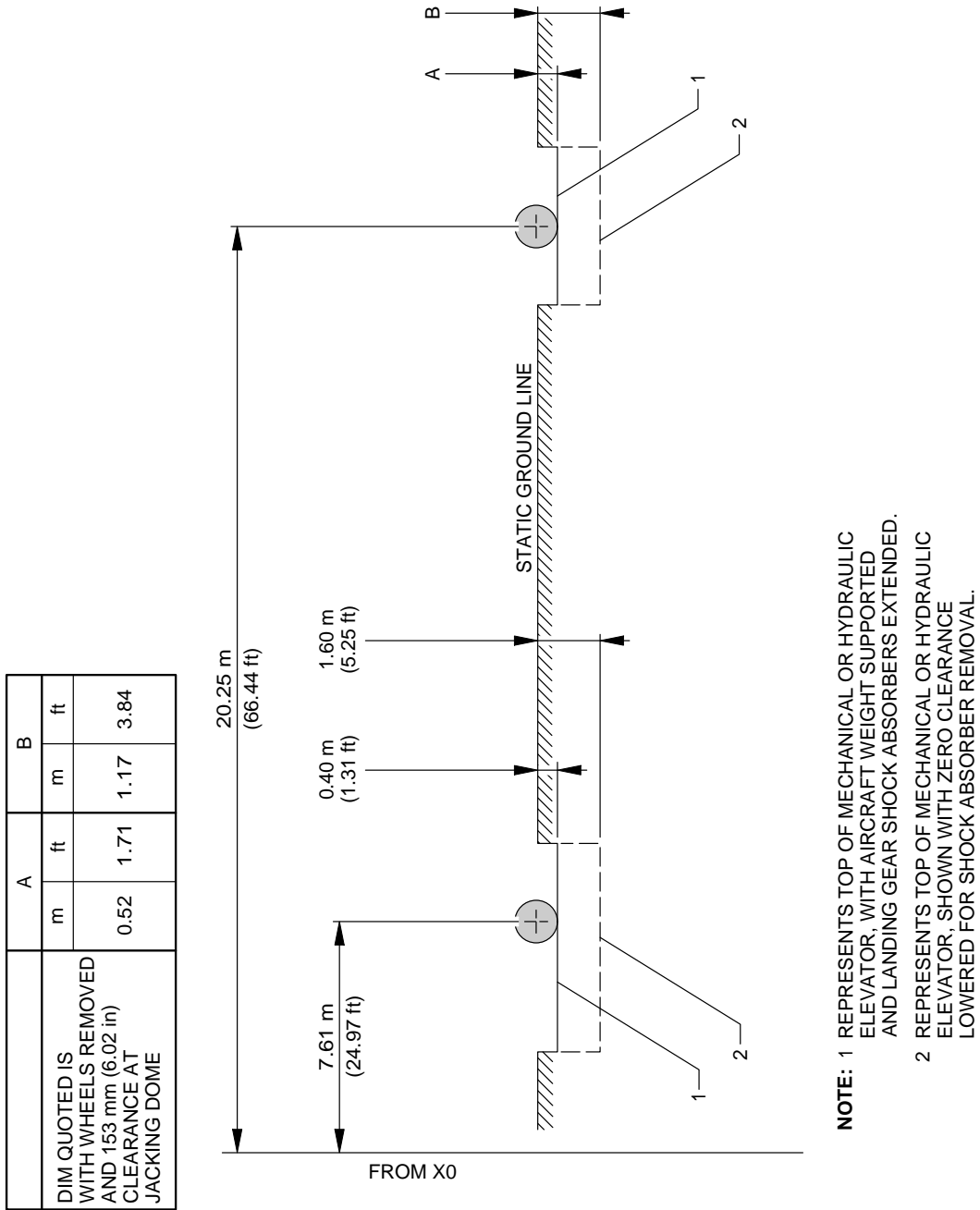
Dimensions for elevators and associated mechanisms must be added to those in FIGURE 2-9-0-991-024-A and FIGURE 2-9-0-991-025-A.

**\*\*ON A/C A320-200 A320neo**



Landing Gear Maintenance Pits  
Maintenance Pit Envelopes  
FIGURE-2-9-0-991-024-A01

**\*\*ON A/C A320-200 A320neo**



N\_AC\_020900\_1\_0250101\_01\_00

Landing Gear Maintenance Pits  
 Maintenance Pit Envelopes  
 FIGURE-2-9-0-991-025-A01



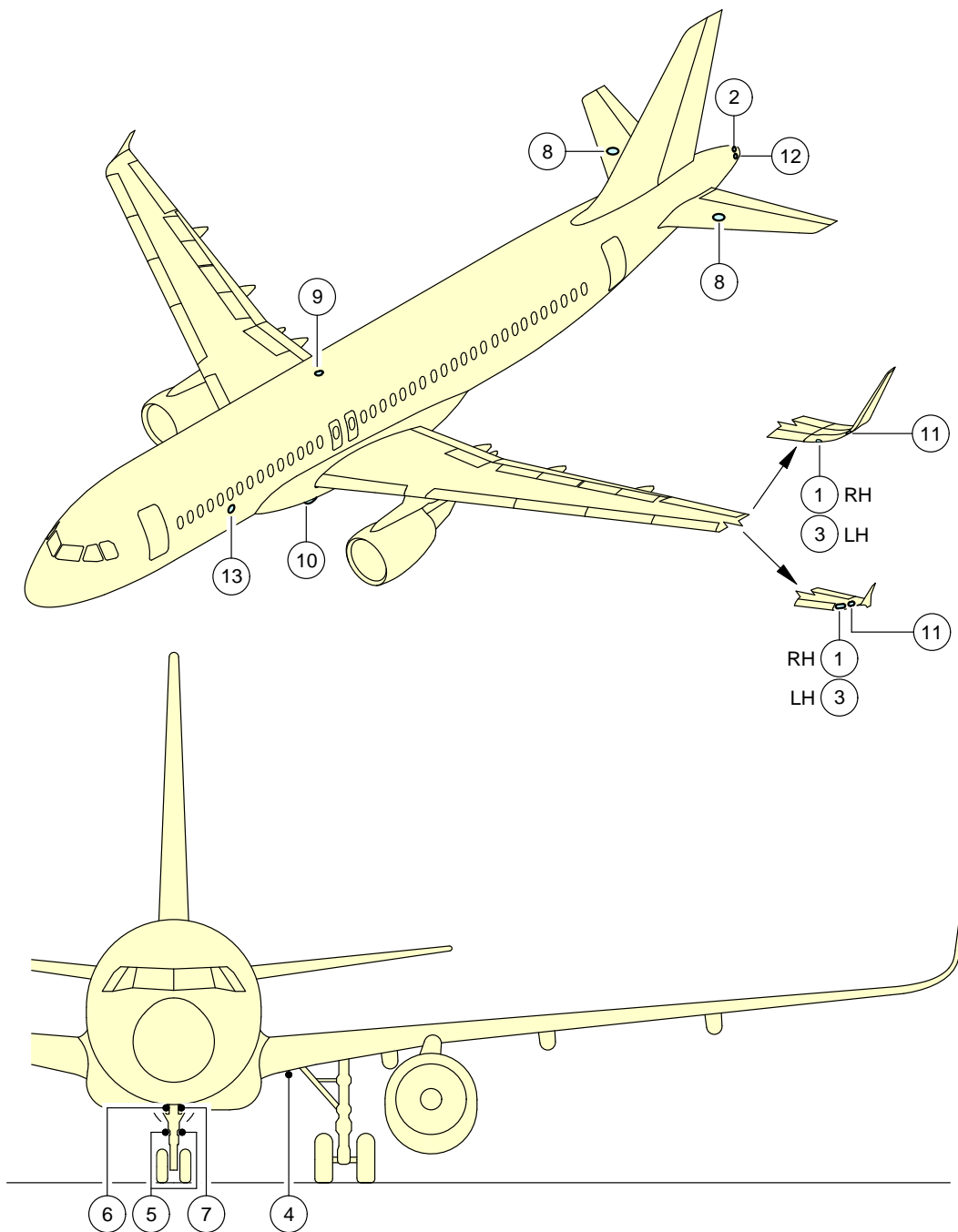
**2-10-0 Exterior Lighting****\*\*ON A/C A320-200 A320neo**Exterior Lighting

## 1. General

This section provides the location of the aircraft exterior lighting.

EXTERIOR LIGHTING	
ITEM	DESCRIPTION
1	RIGHT NAVIGATION LIGHT (GREEN)
2	TAIL NAVIGATION LIGHT (WHITE)
3	LEFT NAVIGATION LIGHT (RED)
4	RETRACTABLE LANDING LIGHT
5	RUNWAY TURN OFF LIGHT
6	TAXI LIGHT
7	TAKE-OFF LIGHT
8	LOGO LIGHT
9	UPPER ANTI-COLLISION LIGHT/BEACON (RED)
10	LOWER ANTI-COLLISION LIGHT/BEACON (RED)
11	WING STROBE LIGHT (HIGH INTENSITY, WHITE)
12	TAIL STROBE LIGHT (HIGH INTENSITY, WHITE)
13	WING/ENGINE SCAN LIGHT
14	WHEEL WELL LIGHT (DOME)
15	CARGO COMPARTMENT FLOOD LIGHT
16	MULTIFUNCTIONAL RUNWAY LIGHT (MFRL) The MFRL is a set of LED lights that are installed on the aircraft which includes the retractable landing light and the complete set of NLG lights (two runway turn-off lights, one taxi light and one take-off light).

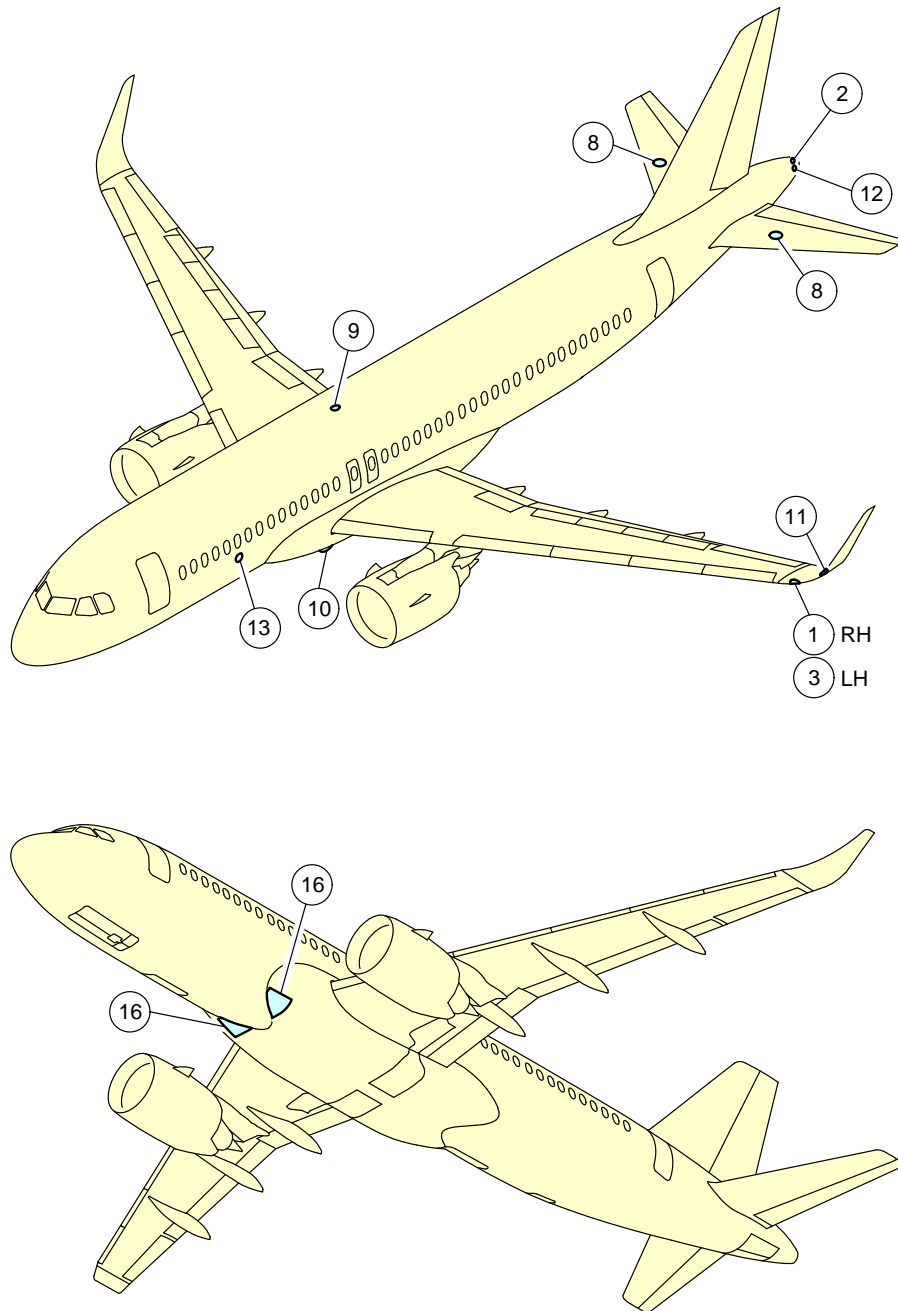
**\*\*ON A/C A320-200 A320neo**



N\_AC\_021000\_1\_0090101\_01\_00

Exterior Lighting  
FIGURE-2-10-0-991-009-A01

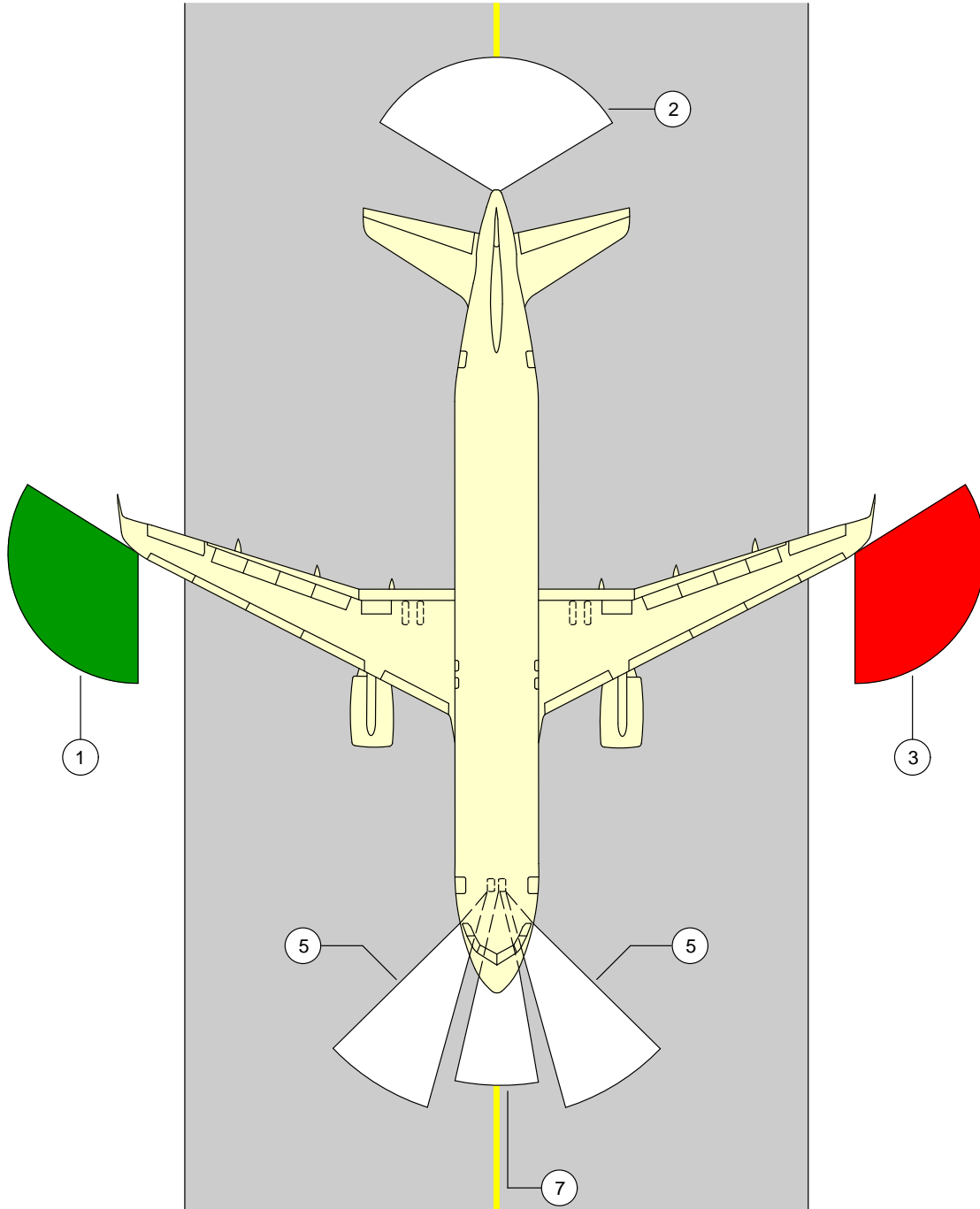
**\*\*ON A/C A320neo**



N\_AC\_021000\_1\_0210101\_01\_00

Exterior Lighting  
FIGURE-2-10-0-991-021-A01

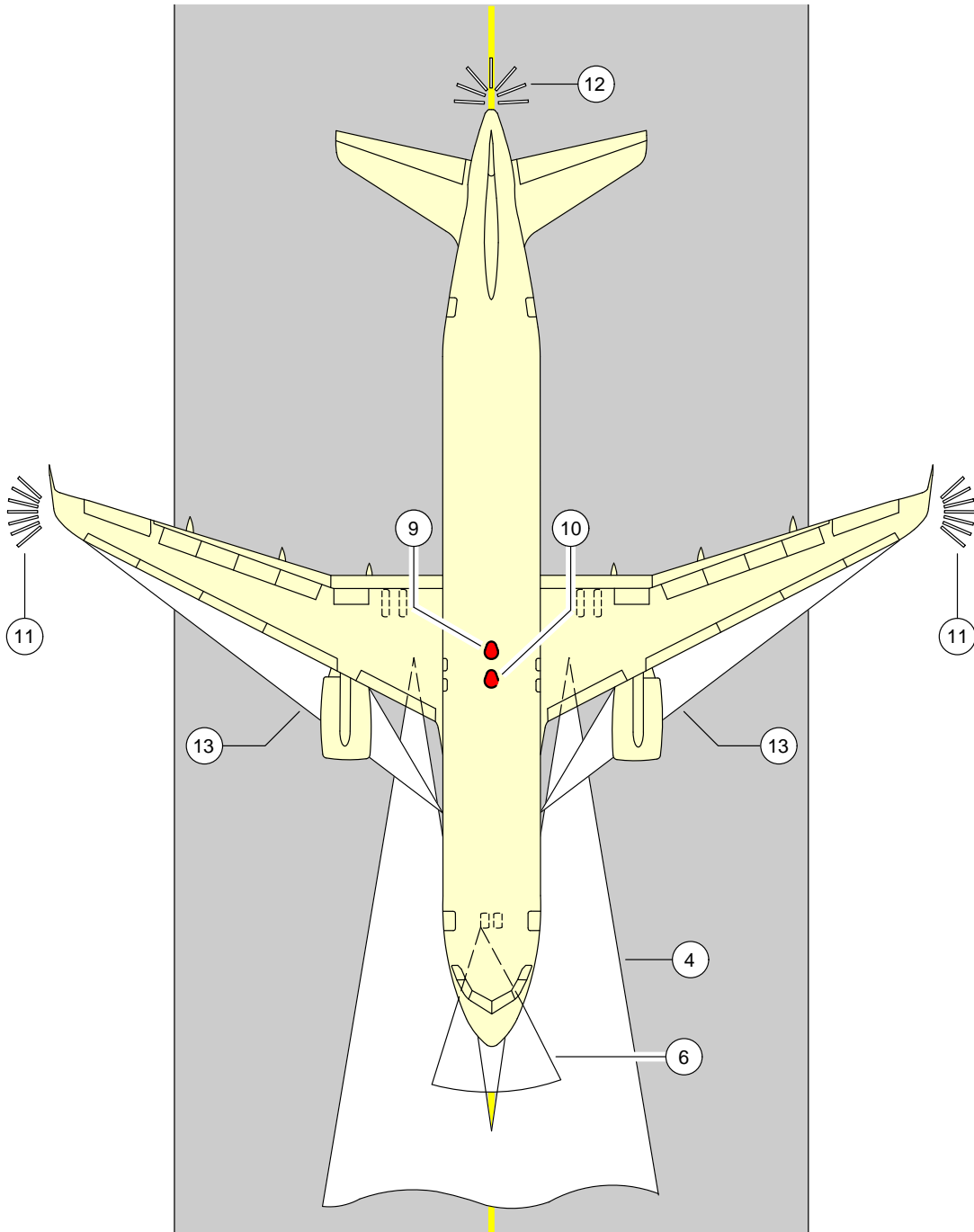
**\*\*ON A/C A320-200 A320neo**



N\_AC\_021000\_1\_0100101\_01\_00

Exterior Lighting  
FIGURE-2-10-0-991-010-A01

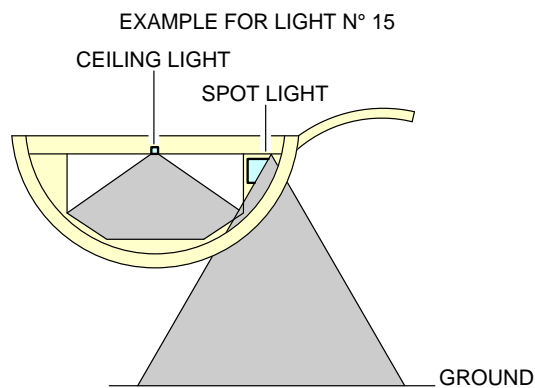
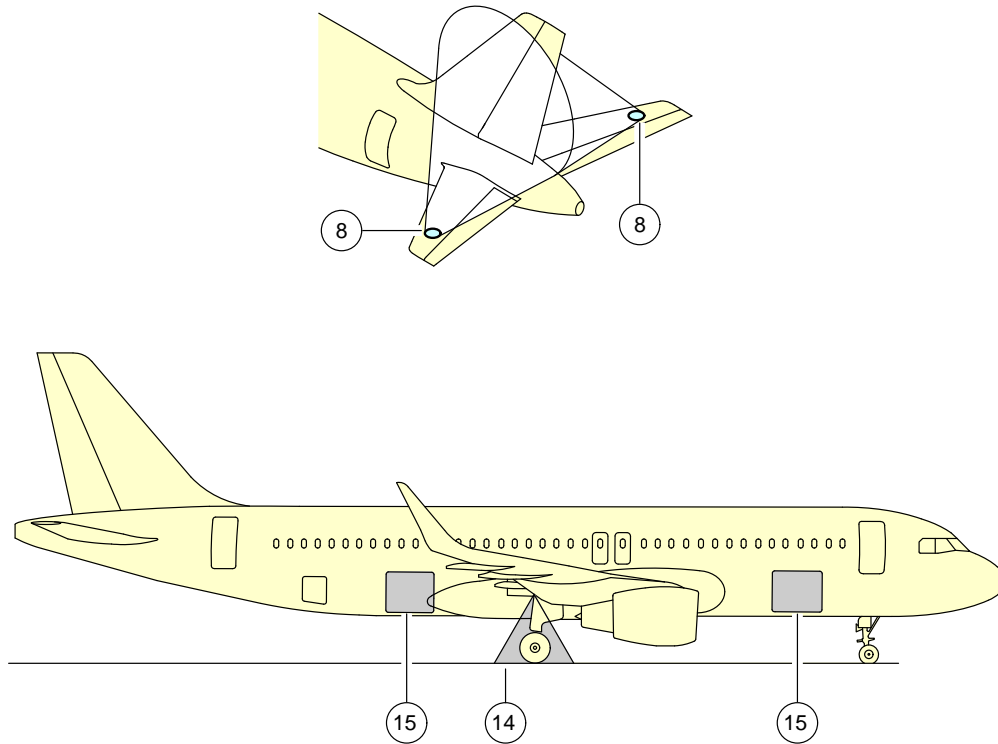
**\*\*ON A/C A320-200 A320neo**



N\_AC\_021000\_1\_0110101\_01\_00

Exterior Lighting  
FIGURE-2-10-0-991-011-A01

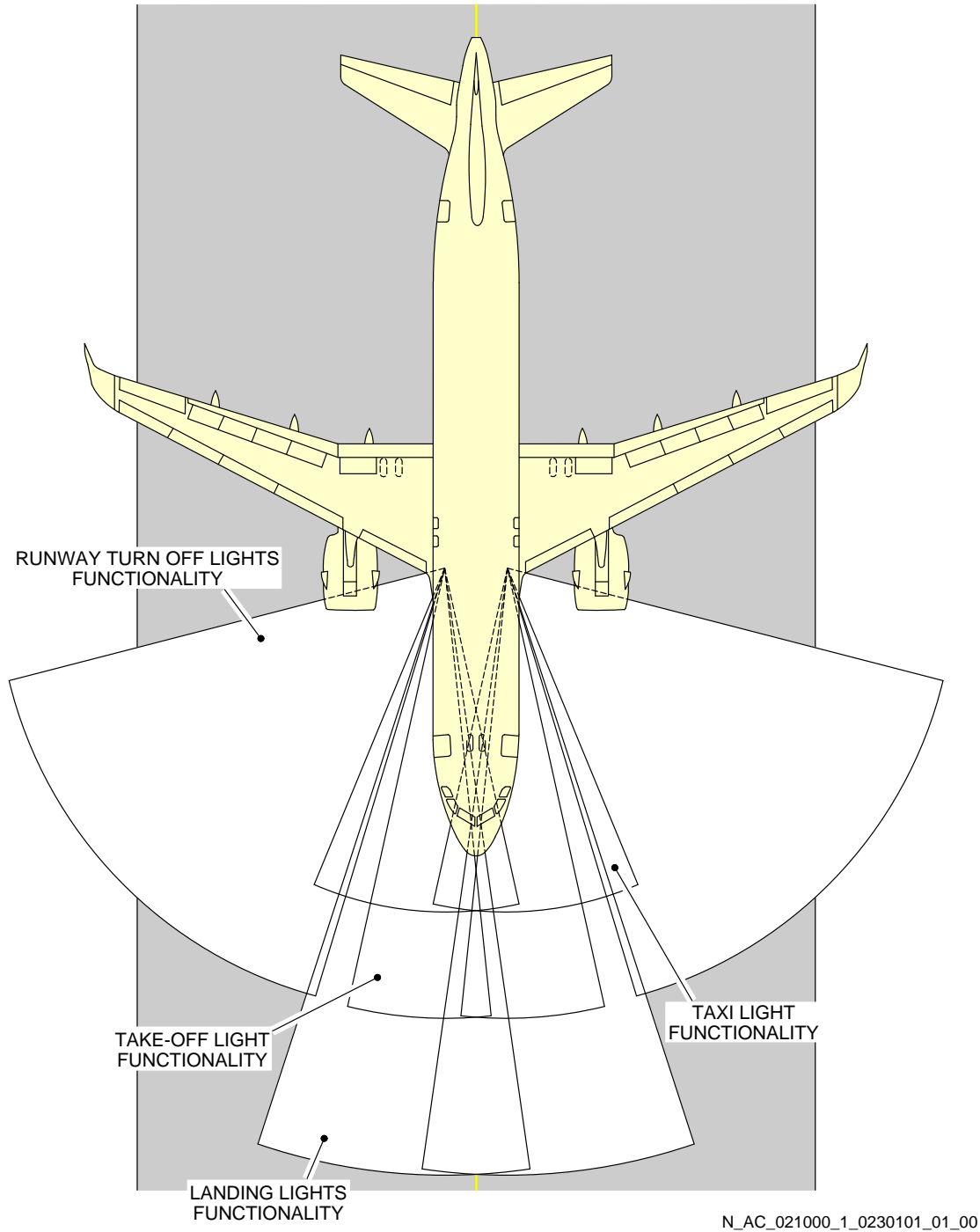
**\*\*ON A/C A320-200 A320neo**



N\_AC\_021000\_1\_0190101\_01\_00

Exterior Lighting  
FIGURE-2-10-0-991-019-A01

**\*\*ON A/C A320neo**



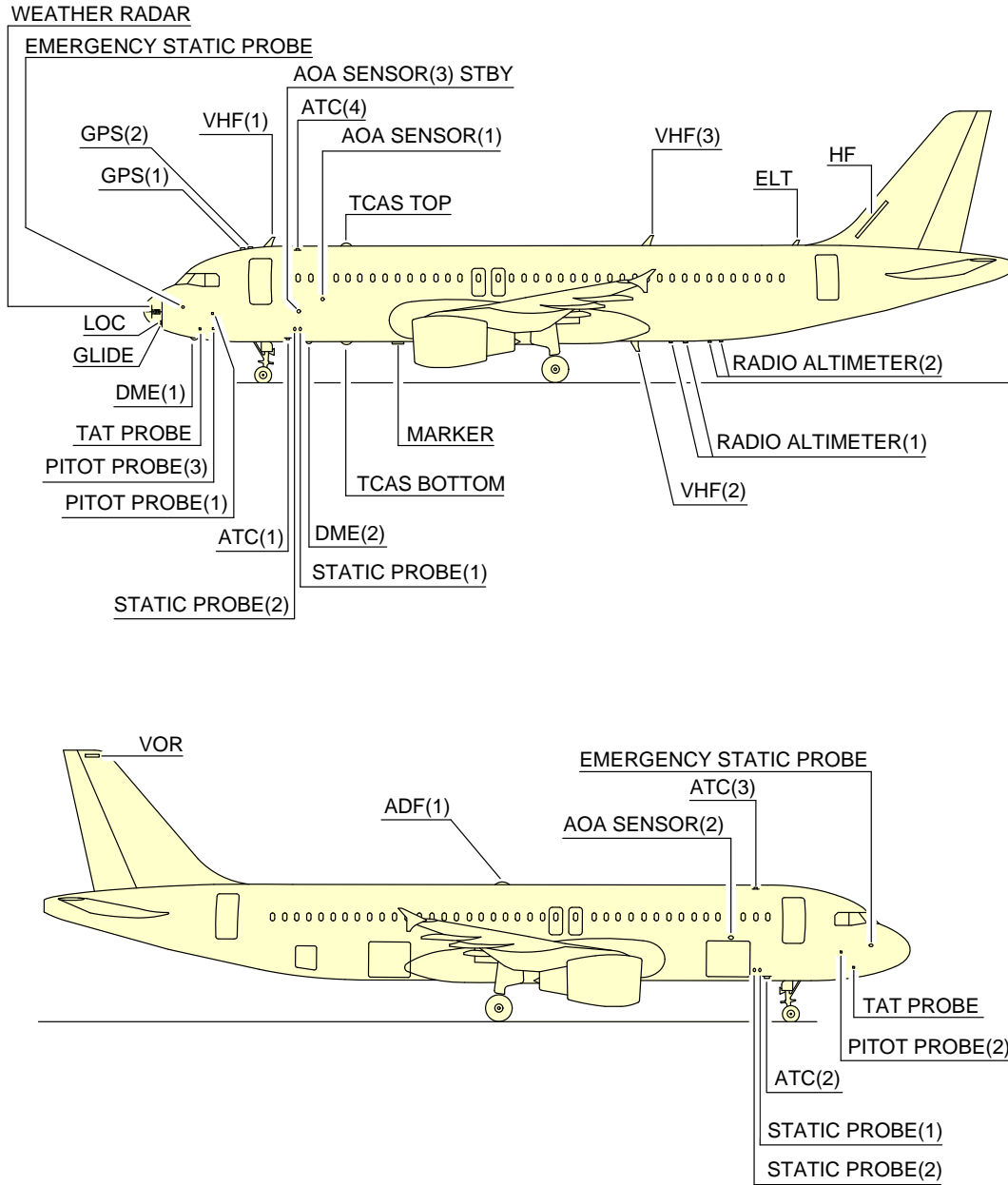
Exterior Lighting  
FIGURE-2-10-0-991-023-A01

**2-11-0 Antennas and Probes Location****\*\*ON A/C A320-200 A320neo**Antennas and Probes Location

1. This section gives the location of antennas and probes.



**\*\*ON A/C A320-200 A320neo**



**NOTE:** DEPENDING ON AIRCRAFT CONFIGURATION

N\_AC\_021100\_1\_0030101\_01\_00

Antennas and Probes  
Location  
FIGURE-2-11-0-991-003-A01

**2-12-0 Power Plant****\*\*ON A/C A320-200 A320neo**Auxiliary Power Unit

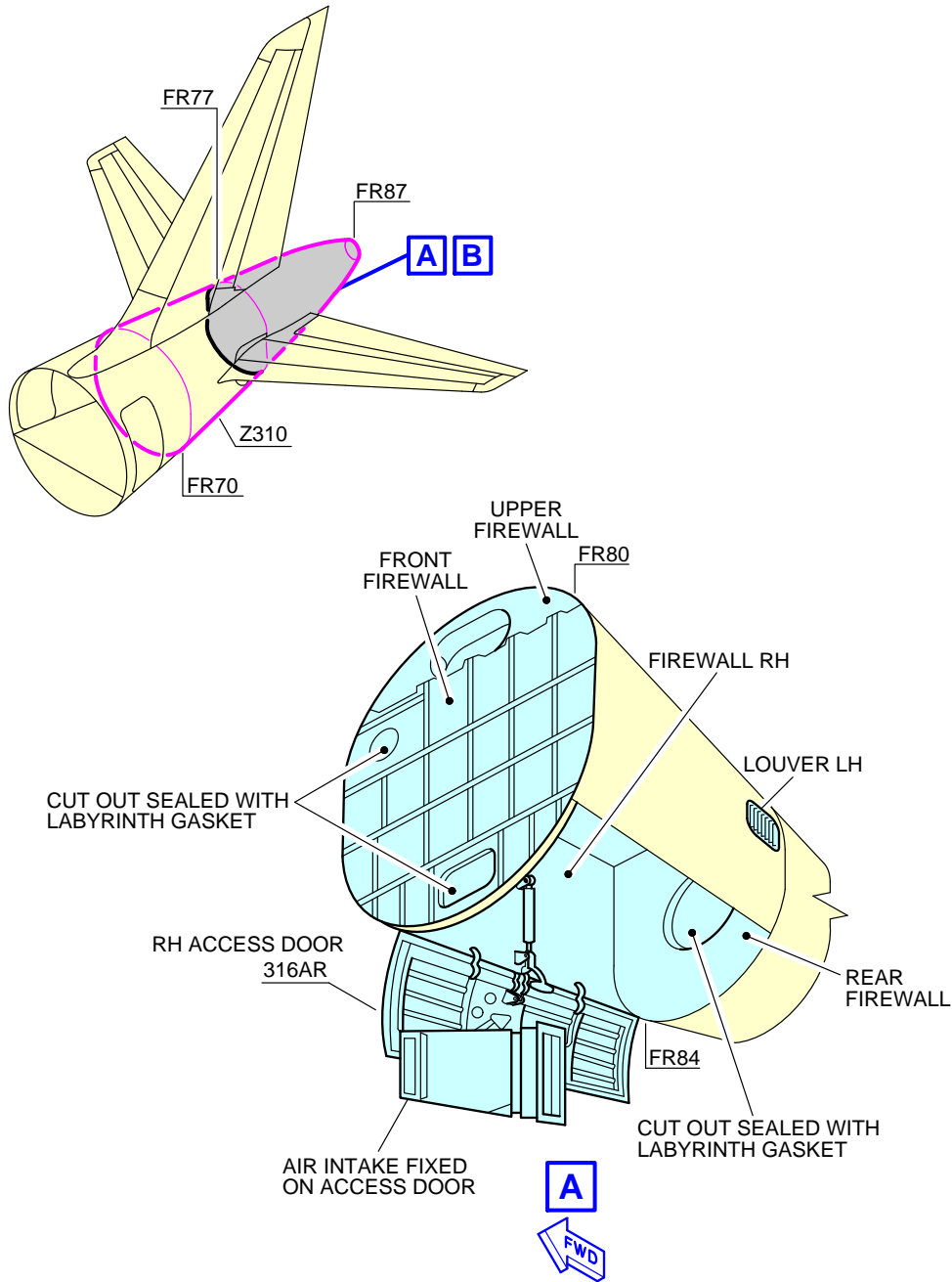
## 1. General

The APU is installed at the rear part of the fuselage in the tail cone. An air intake system with a flap-type door is installed in front of the APU compartment. The exhaust gases pass overboard at the end of the fuselage cone.

## 2. Controls and Indication

The primary APU controls and indications are installed on the overhead panel, on the center pedestal and on the center instrument panel. Additionally, an external APU panel is installed on the nose landing gear to initiate an APU emergency shutdown.

**\*\*ON A/C A320-200 A320neo**

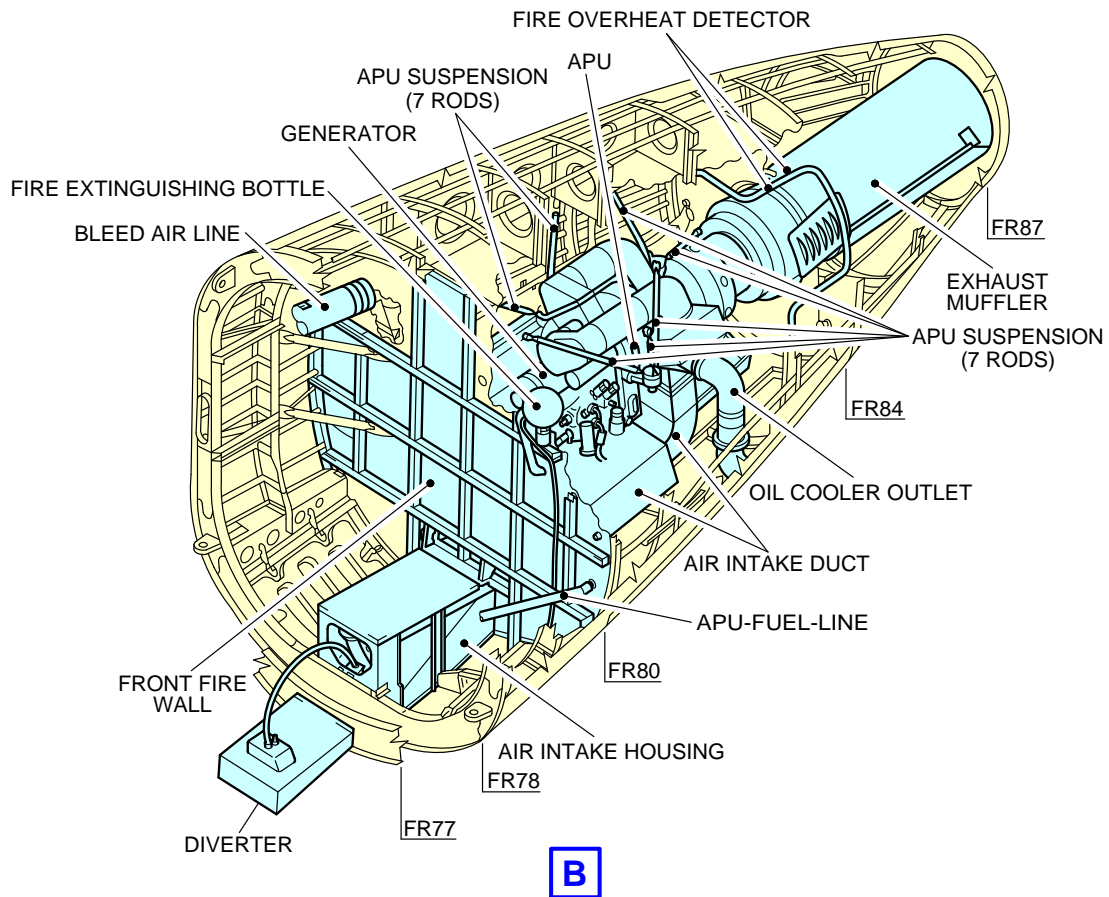


**NOTE:**  
LH ACCESS DOOR 315AL NOT SHOWN FOR CLARITY.

N\_AC\_021200\_1\_0050101\_01\_01

Auxiliary Power Unit  
Access Doors  
FIGURE-2-12-0-991-005-A01

**\*\*ON A/C A320-200 A320neo**



N\_AC\_021200\_1\_0060101\_01\_01

Auxiliary Power Unit  
General Layout  
FIGURE-2-12-0-991-006-A01

**\*\*ON A/C A320-200 A320neo**Engine and Nacelle**\*\*ON A/C A320-200**

## 1. Engine and Nacelle - CFM56 Engine

## A. Engine

The aircraft has two CFM International CFM56 engines that supply power to the aircraft. The engines are turbofan engines that have:

- A high bypass ratio,
- A Full Authority Digital Engine Control (FADEC),
- A fuel system,
- An oil system,
- An air system,
- A thrust reverser system,
- An ignition system and a start system.

The engine has:

Two compressor turbine assemblies:

- The Low Pressure (LP) compressor turbine assembly,
- The High Pressure (HP) compressor turbine assembly.

Each turbine operates its associated compressor via a shaft.

- One accessory gearbox,
- One combustion chamber.

The engine operates as follows:

- (1) The LP compressor, compresses the air.
- (2) Then, the air is divided into two flows:
  - Most of the air flows out of the core engine, and provides most of the engine thrust.
  - The remaining air enters the core engine.
- (3) The HP compressor compresses the air that enters the core engine.
- (4) The fuel is added to and mixed with the compressed air of the core engine. The mixture is ignited in the combustion chamber.
- (5) The gas that results from combustion drives the HP and the LP turbines.
  - The rotation speed of the fan provides the N1 engine parameter.
  - The rotation speed of the HP rotor provides the N2 engine parameter.
  - The N1 and N2 engine parameters appear on the Engine/Warning Display (E/WD).
  - The N1 and N2 engine parameters are current rotation speeds displayed in percentage.

The FADEC uses:

- The N1 engine parameter to compute the applicable engine thrust,
- The N1 and N2 engine parameters for engine control and monitoring.

#### B. Nacelle

The cowls enclose the periphery of the engine so as to form the engine nacelle. Each engine is housed in a nacelle suspended from a pylon attached below the wing.

The nacelle installation is designed to provide cooling and ventilation air for engine accessories mounted along the fan and core casing. The nacelle provides:

- Protection for the engine and the accessories
- Airflow around the engine during its operation
- Lighting protection
- HIRF and EMI attenuation.

### 2. Engine and Nacelle - IAE V2500 Engine

#### A. Engine

The aircraft has two International Aero Engines V2500 engines that supply power to the aircraft.

The engines are turbofan engines that have:

- A high bypass ratio,
- A Full Authority Digital Engine Control (FADEC),
- A fuel system,
- An oil system,
- An air system,
- A thrust reverser system,
- An ignition system and a start system.

The engine has:

Two compressor turbine assemblies:

- The Low Pressure (LP) compressor turbine assembly,
- The High Pressure (HP) compressor turbine assembly.

Each turbine operates its associated compressor via a shaft.

- One accessory gearbox,
- One combustion chamber.

The engine operates as follows:

- (1) The LP compressor, compresses the air.
- (2) Then, the air is divided into two flows:
  - Most of the air flows out of the core engine, and provides most of the engine thrust.
  - The remaining air enters the core engine.
- (3) The HP compressor compresses the air that enters the core engine.
- (4) The fuel is added to and mixed with the compressed air of the core engine. The mixture is ignited in the combustion chamber.

- (5) The gas that results from combustion drives the HP and the LP turbines.
- The rotation speed of the fan provides the N1 engine parameter.
  - The rotation speed of the HP rotor provides the N2 engine parameter.
  - The N1 and N2 engine parameters appear on the Engine/Warning Display (E/WD).
  - The N1 and N2 engine parameters are current rotation speeds displayed in percentage.

The FADEC uses:

- The N1 engine parameter to compute the applicable engine thrust,
- The N1 and N2 engine parameters for engine control and monitoring.

#### B. Nacelle

The cowls enclose the periphery of the engine so as to form the engine nacelle. Each engine is housed in a nacelle suspended from a pylon attached below the wing. The nacelle installation is designed to provide cooling and ventilation air for engine accessories mounted along the fan and core casing. The nacelle provides:

- Protection for the engine and the accessories
- Airflow around the engine during its operation
- Lighting protection
- HIRF and EMI attenuation.

### **\*\*ON A/C A320neo**

#### 3. Engine and Nacelle - CFM LEAP-1A Engine

##### A. Engine

The aircraft has two CFM International LEAP-1A engines that supply power to the aircraft. The engines are turbofan engines that have:

- A high bypass ratio,
- A Full Authority Digital Engine Control (FADEC),
- A fuel system,
- An oil system,
- An air system,
- A thrust reverser system,
- An ignition system and a start system.

The engine has:

Two compressor turbine assemblies:

- The Low Pressure (LP) compressor turbine assembly,
- The High Pressure (HP) compressor turbine assembly.

Each turbine operates its associated compressor via a shaft.

- One accessory gearbox,
- One combustion chamber.

The engine operates as follows:

- (1) The LP compressor, compresses the air.

- (2) Then, the air is divided into two flows:
    - Most of the air flows out of the core engine, and provides most of the engine thrust.
    - The remaining air enters the core engine.
  - (3) The HP compressor compresses the air that enters the core engine.
  - (4) The fuel is added to and mixed with the compressed air of the core engine. The mixture is ignited in the combustion chamber.
  - (5) The gas that results from combustion drives the HP and the LP turbines.
    - The rotation speed of the fan provides the N1 engine parameter.
    - The rotation speed of the HP rotor provides the N2 engine parameter.
    - The N1 and N2 engine parameters appear on the Engine/Warning Display (E/WD).
    - The N1 and N2 engine parameters are current rotation speeds displayed in percentage.
- The FADEC uses:
- The N1 engine parameter to compute the applicable engine thrust,
  - The N1 and N2 engine parameters for engine control and monitoring.

#### B. Nacelle

The cowls enclose the periphery of the engine so as to form the engine nacelle. Each engine is housed in a nacelle suspended from a pylon attached below the wing. The nacelle installation is designed to provide cooling and ventilation air for engine accessories mounted along the fan and core casing. The nacelle provides:

- Protection for the engine and the accessories
- Airflow around the engine during its operation
- Lighting protection
- HIRF and EMI attenuation.

### 4. Engine and Nacelle - PW1100G Engine

#### A. Engine

The aircraft has two Pratt & Whitney's Pure Power PW1100G engines that supply power to the aircraft.

The engines are turbofan engines that have:

- A high bypass ratio,
- A Full Authority Digital Engine Control (FADEC),
- A fuel system,
- An oil system,
- An air system,
- A thrust reverser system,
- An ignition system and a start system.

The engine has:



Two compressor turbine assemblies:

- The Low Pressure (LP) compressor turbine assembly,
- The High Pressure (HP) compressor turbine assembly.

Each turbine operates its associated compressor via a shaft.

- One accessory gearbox,
- One combustion chamber.

The engine operates as follows:

- (1) The LP compressor, compresses the air.
- (2) Then, the air is divided into two flows:
  - Most of the air flows out of the core engine, and provides most of the engine thrust.
  - The remaining air enters the core engine.
- (3) The HP compressor compresses the air that enters the core engine.
- (4) The fuel is added to and mixed with the compressed air of the core engine. The mixture is ignited in the combustion chamber.
- (5) The gas that results from combustion drives the HP and the LP turbines.
  - The rotation speed of the fan provides the N1 engine parameter.
  - The rotation speed of the HP rotor provides the N2 engine parameter.
  - The N1 and N2 engine parameters appear on the Engine/Warning Display (E/WD).
  - The N1 and N2 engine parameters are current rotation speeds displayed in percentage.

The FADEC uses:

- The N1 engine parameter to compute the applicable engine thrust,
- The N1 and N2 engine parameters for engine control and monitoring.

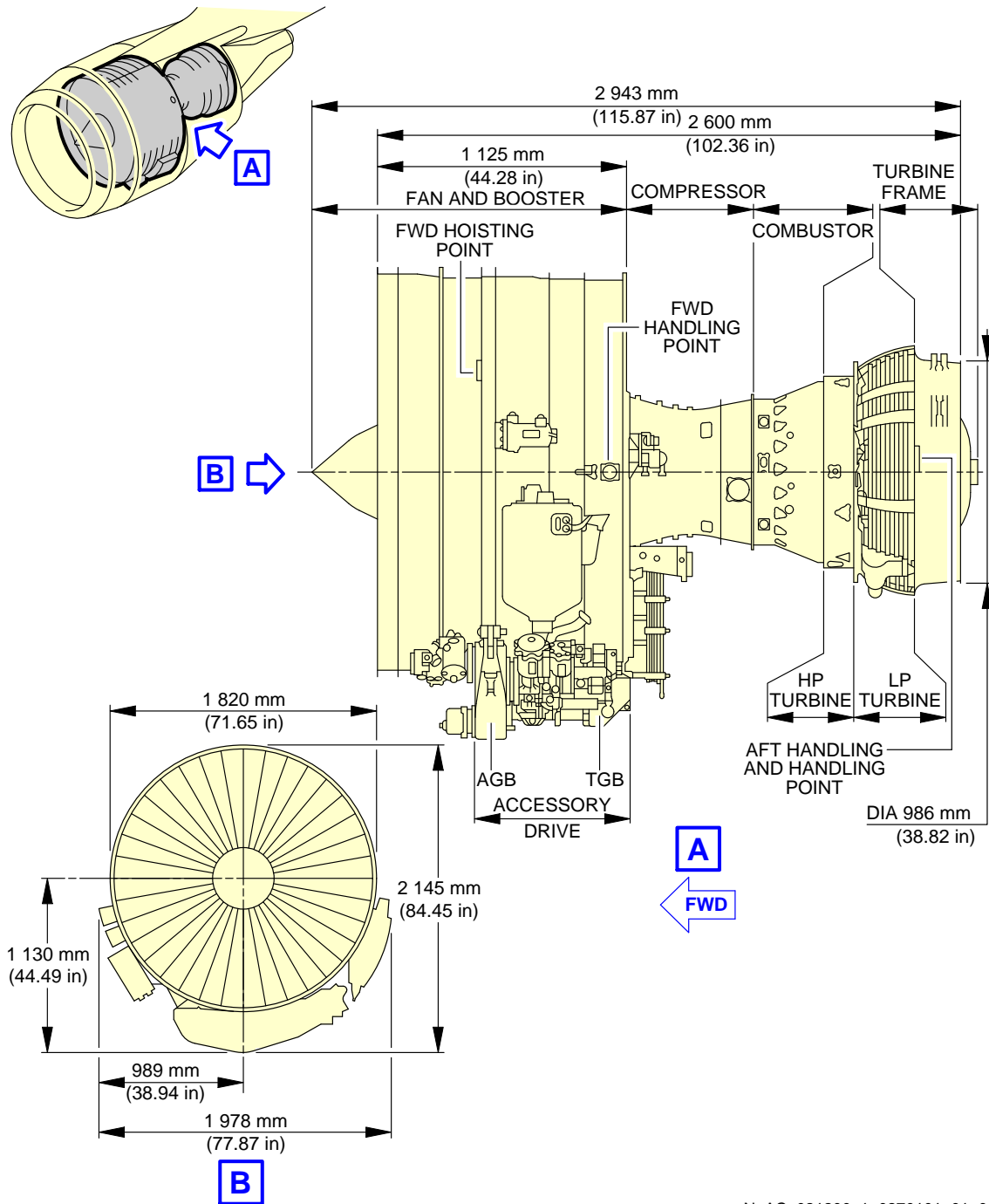
## B. Nacelle

The cowls enclose the periphery of the engine so as to form the engine nacelle. Each engine is housed in a nacelle suspended from a pylon attached below the wing.

The nacelle installation is designed to provide cooling and ventilation air for engine accessories mounted along the fan and core casing. The nacelle provides:

- Protection for the engine and the accessories
- Airflow around the engine during its operation
- Lighting protection
- HIRF and EMI attenuation.

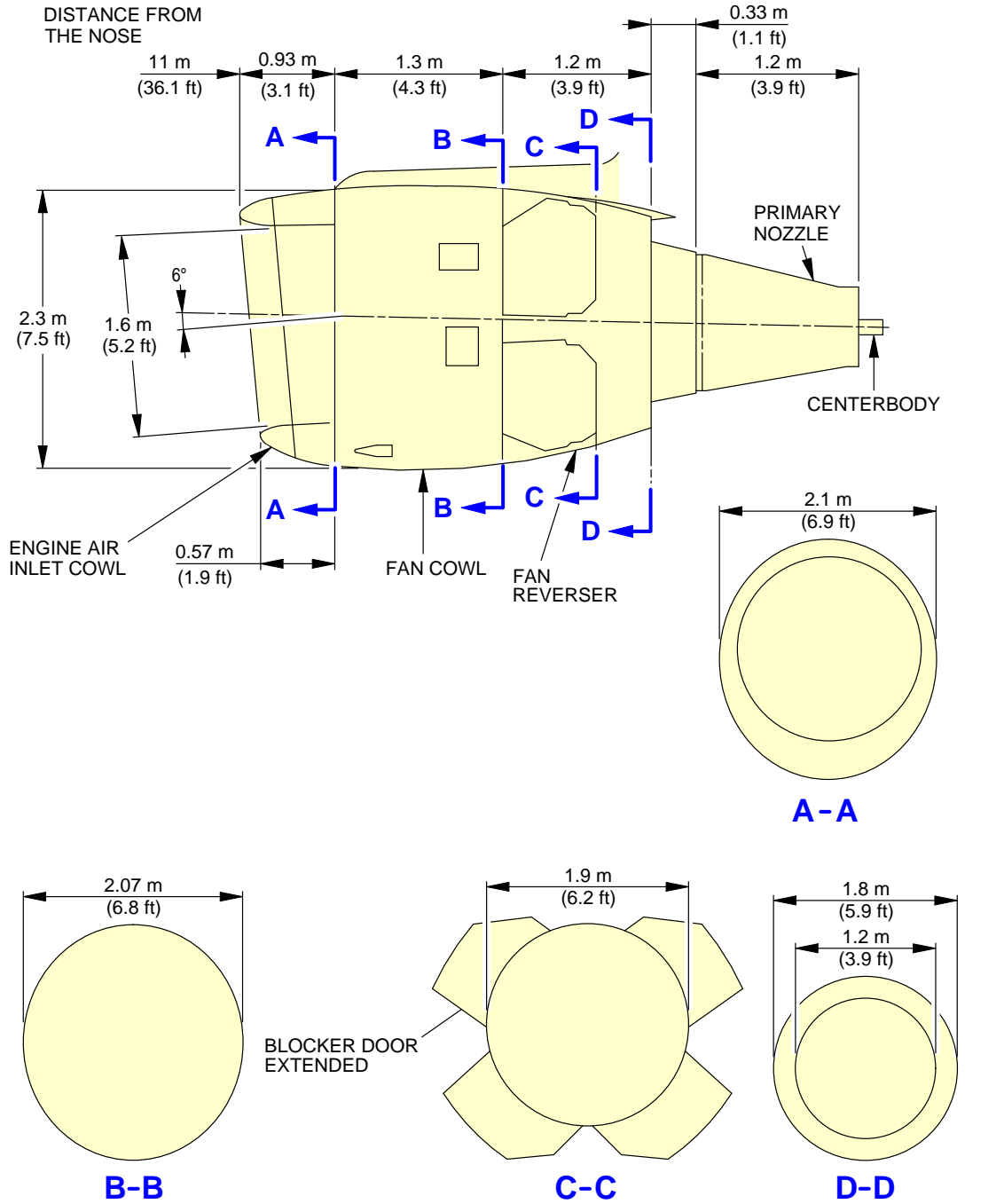
**\*\*ON A/C A320-200**



N\_AC\_021200\_1\_0270101\_01\_00

Power Plant Handling  
Major Dimensions - CFM56 Series Engine  
FIGURE-2-12-0-991-027-A01

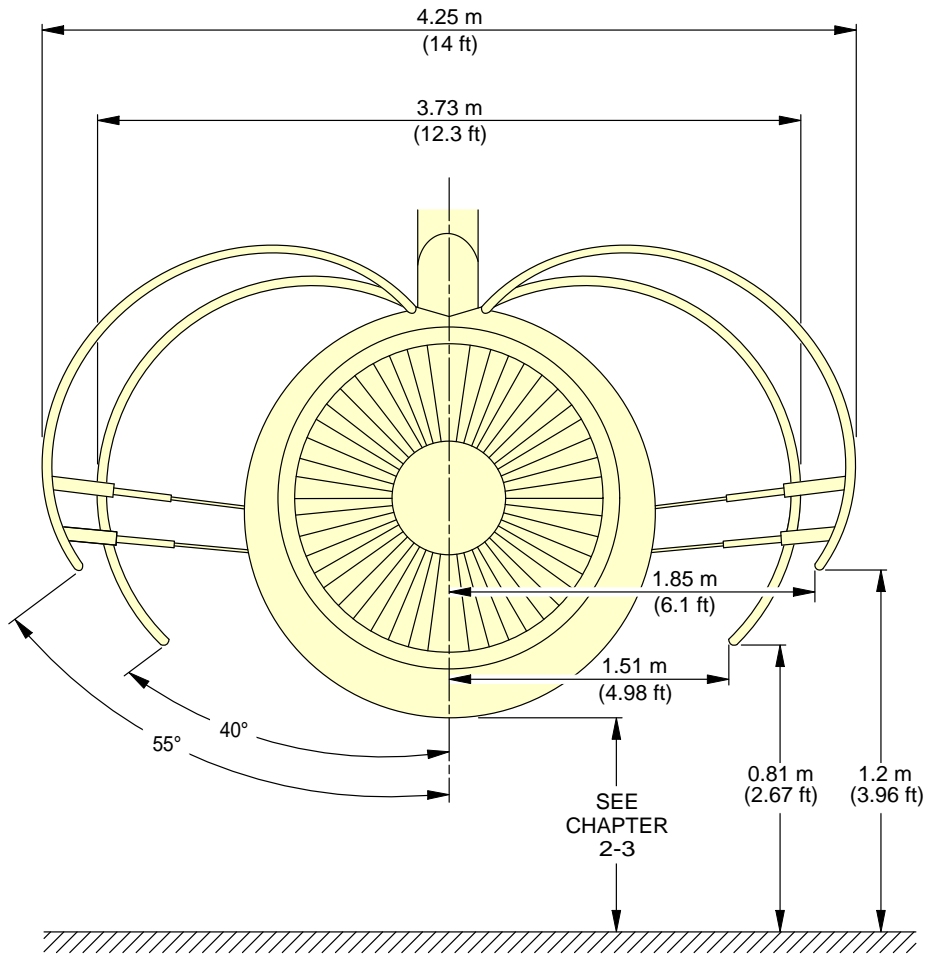
**\*\*ON A/C A320-200**



N\_AC\_021200\_1\_0280101\_01\_00

Power Plant Handling  
Major Dimensions - CFM56 Series Engine  
FIGURE-2-12-0-991-028-A01

**\*\*ON A/C A320-200**

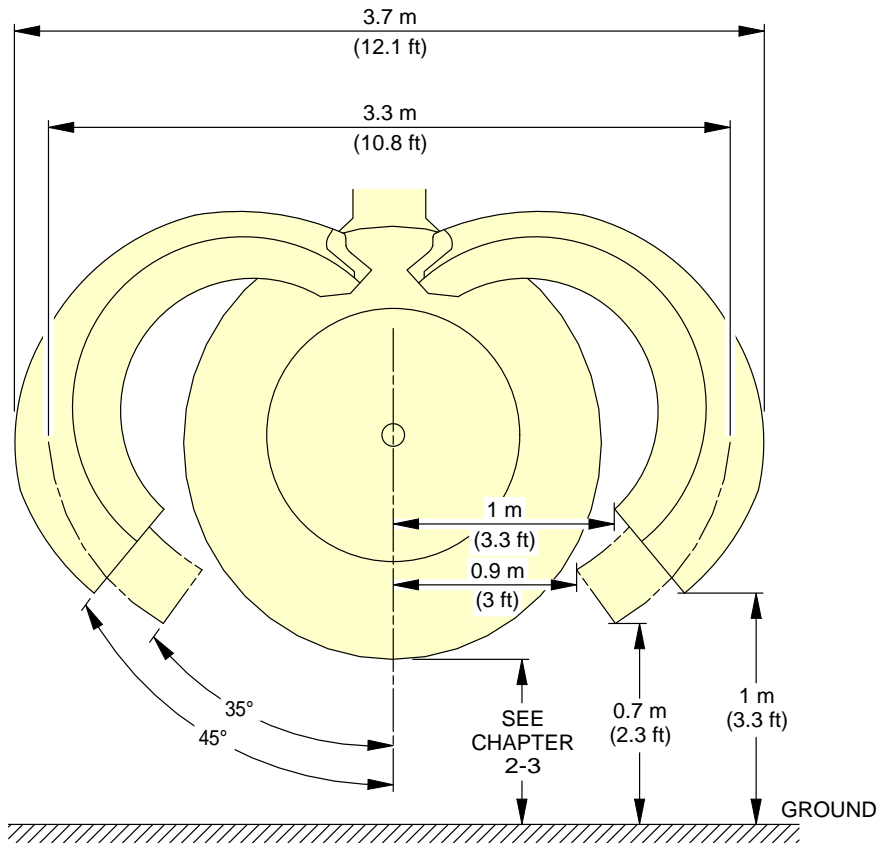


**NOTE:** APPROXIMATE DIMENSIONS.

N\_AC\_021200\_1\_0290101\_01\_01

Power Plant Handling  
Fan Cowls - CFM56 Series Engine  
FIGURE-2-12-0-991-029-A01

**\*\*ON A/C A320-200**



**CAUTION**

DO NOT ACTUATE SLATS:

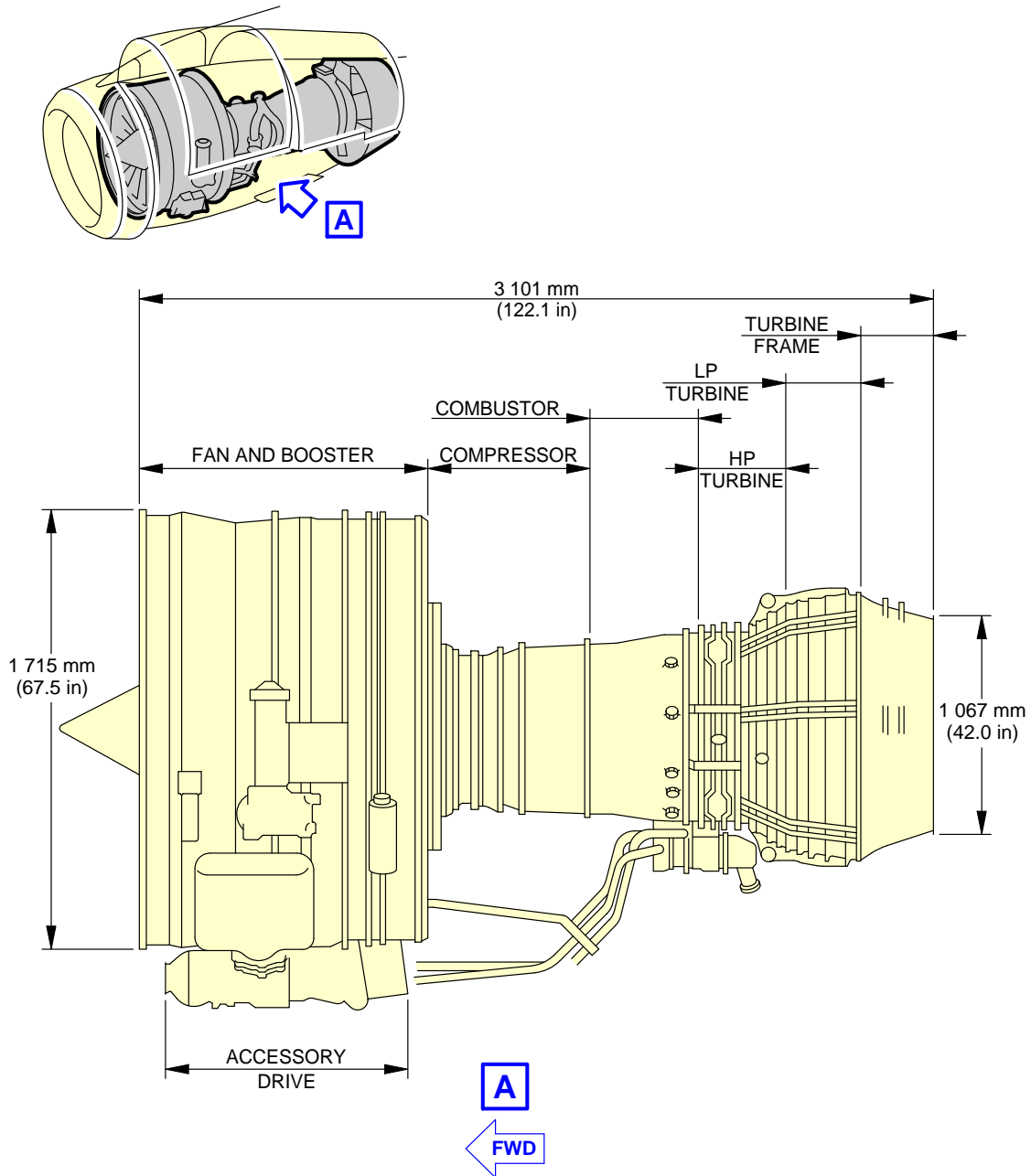
- WITH THRUST REVERSER COWLS 45° OPEN POSITION
- WITH BLOCKER DOORS OPEN AND THRUST REVERSER COWLS AT 35° AND 45° OPEN POSITION.

**NOTE:** APPROXIMATE DIMENSIONS.

N\_AC\_021200\_1\_0300101\_01\_01

Power Plant Handling  
Thrust Reverser Cowls - CFM56 Series Engine  
FIGURE-2-12-0-991-030-A01

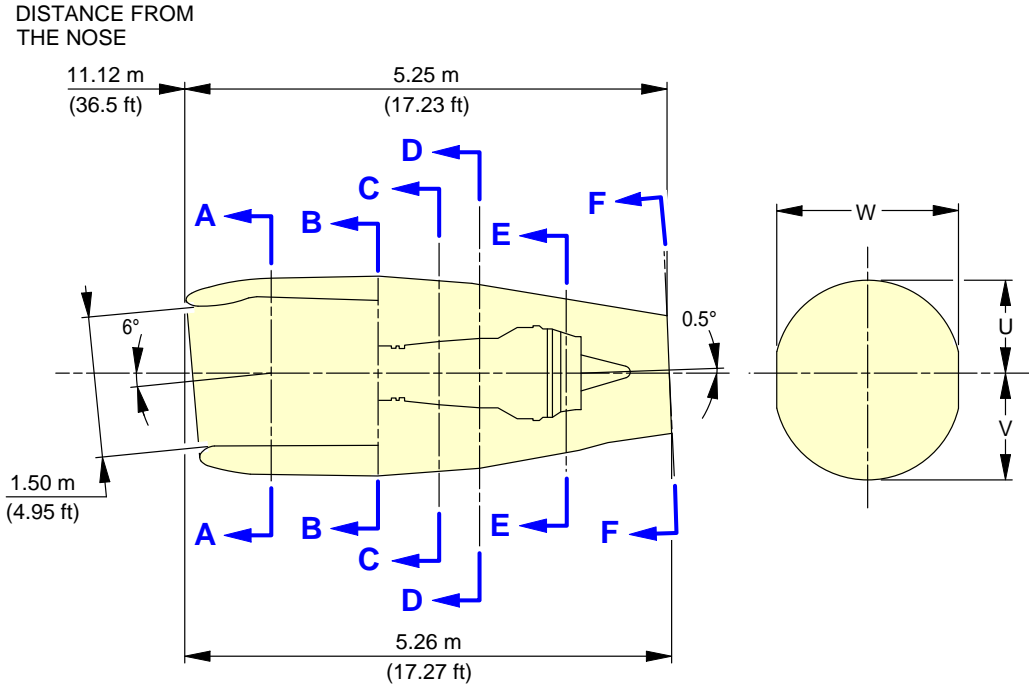
**\*\*ON A/C A320-200**



N\_AC\_021200\_1\_0310101\_01\_00

Power Plant Handling  
Major Dimensions - IAE V2500 Series Engine  
FIGURE-2-12-0-991-031-A01

**\*\*ON A/C A320-200**

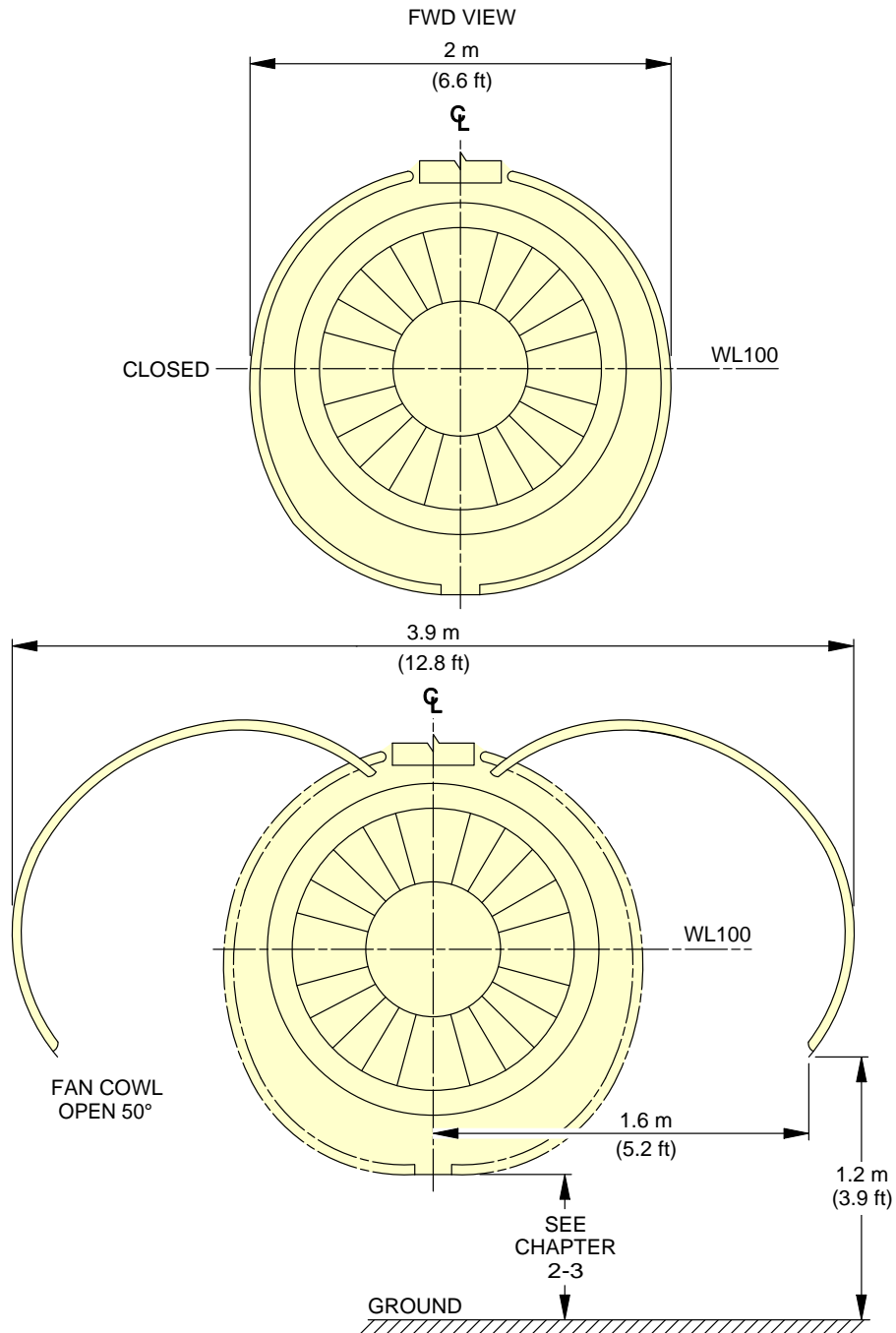


	W		U		V		PPS		AT COMPONENT
	m	ft	m	ft	m	ft	m	ft	
<b>A-A</b>	2.01	6.58	0.99	3.25	1.10	3.63	1.41	4.62	INLET ATTACH FLG
<b>B-B</b>	2.01	6.58	1.00	3.29	1.11	3.64	2.59	8.50	TORQUE BOX "V" BLADE
<b>C-C</b>	1.98	6.50	0.97	3.19	1.07	3.52	3.26	10.70	COMB. CHAMBER ENTRY FLG
<b>D-D</b>	1.93	6.32	0.93	3.06	1.03	3.39	3.63	11.90	COMB. CHAMBER EXIT FLG
<b>E-E</b>	1.64	5.38	0.78	2.57	0.86	2.83	4.60	15.10	TECH FLG TURB. EXIT CASE
<b>F-F</b>	1.24	4.07	0.60	1.96	0.64	2.11	----	----	AFT END CNA

N\_AC\_021200\_1\_0320101\_01\_00

Power Plant Handling  
Major Dimensions - IAE V2500 Series Engine  
FIGURE-2-12-0-991-032-A01

**\*\*ON A/C A320-200**



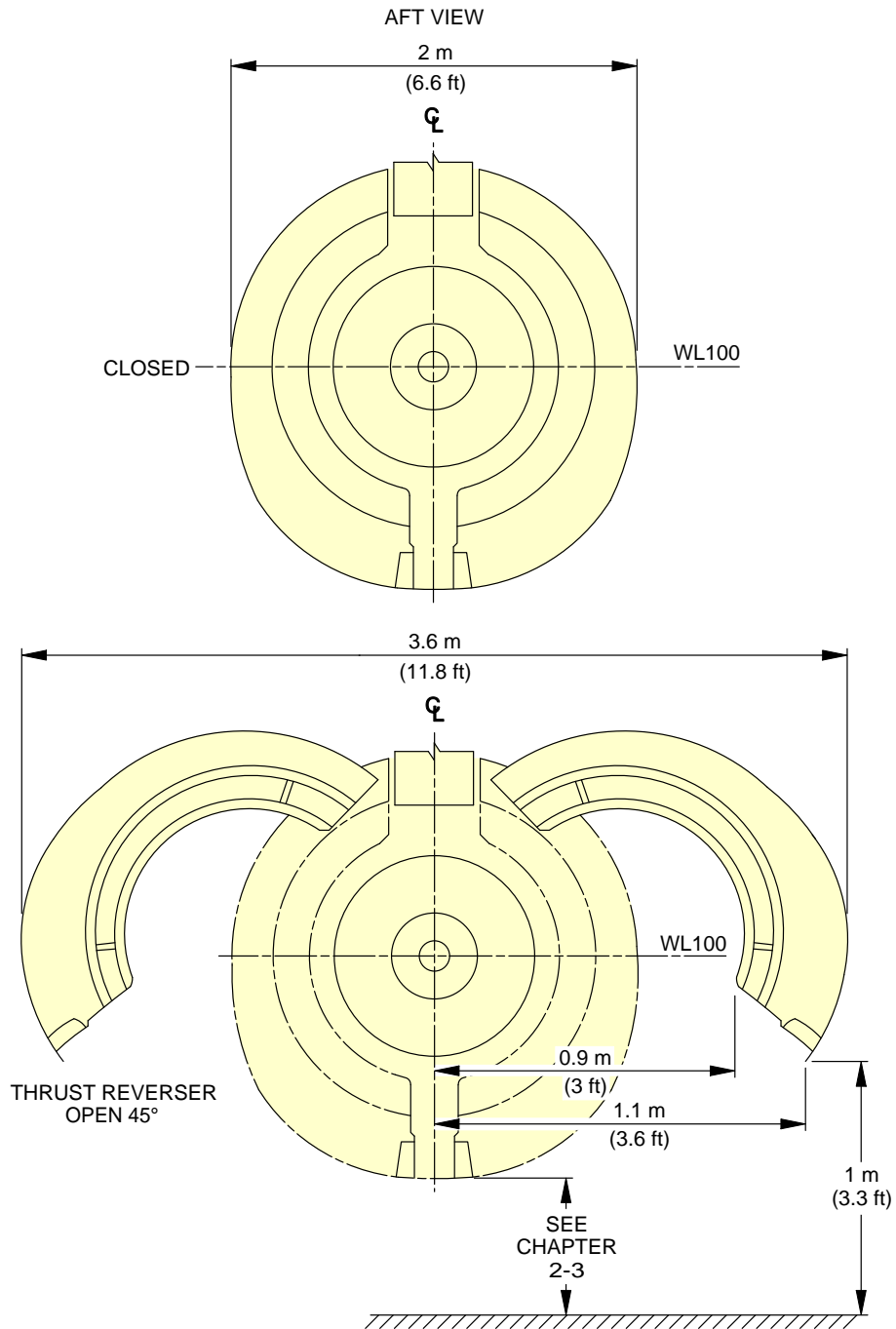
**NOTE:** APPROXIMATE DIMENSIONS.

N\_AC\_021200\_1\_0330101\_01\_01

Power Plant Handling  
Fan Cowls - IAE V2500 Series Engine  
FIGURE-2-12-0-991-033-A01



**\*\*ON A/C A320-200**

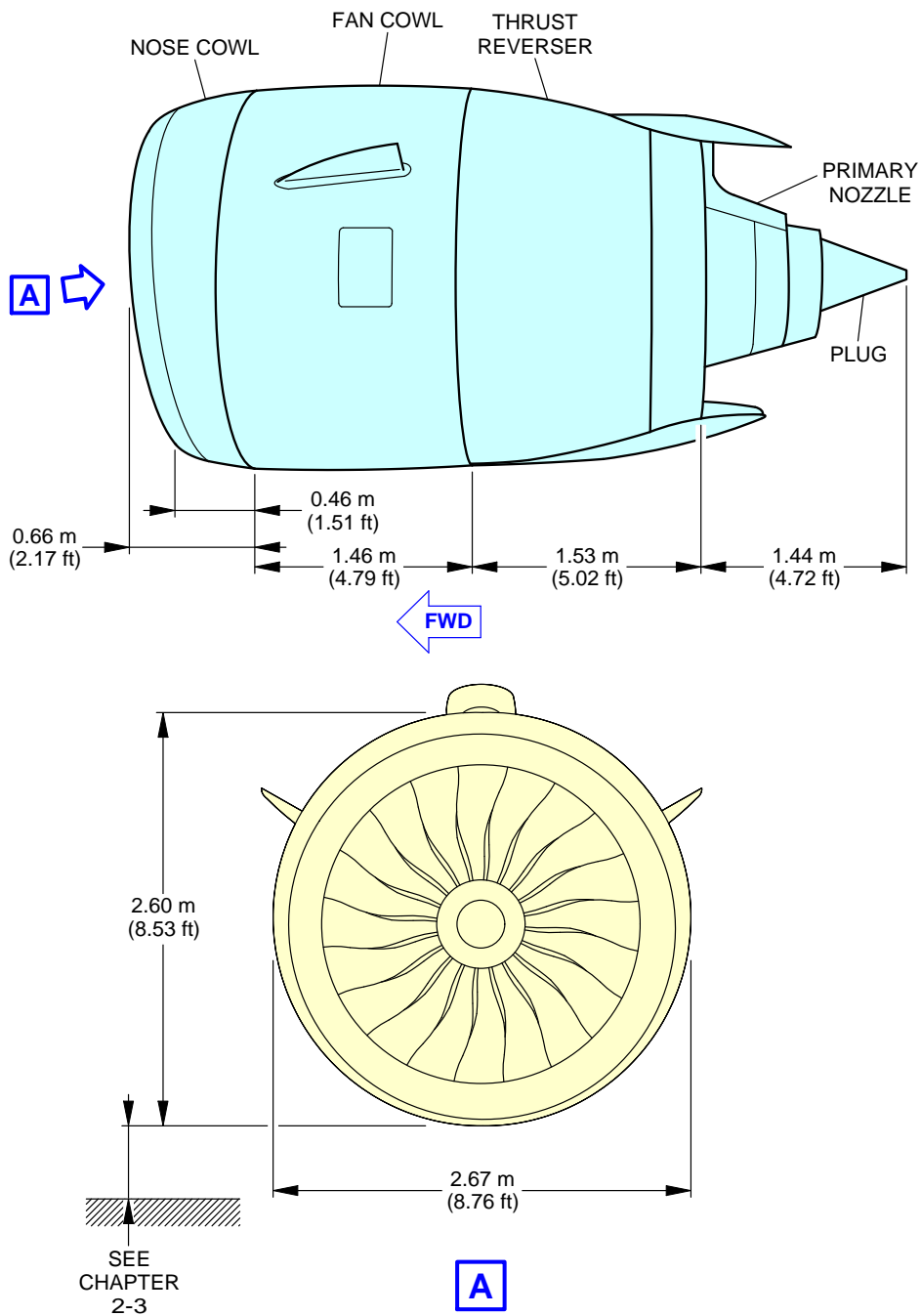


**NOTE:** APPROXIMATE DIMENSIONS.

N\_AC\_021200\_1\_0340101\_01\_01

Power Plant Handling  
Thrust Reverser Halves - IAE V2500 Series Engine  
FIGURE-2-12-0-991-034-A01

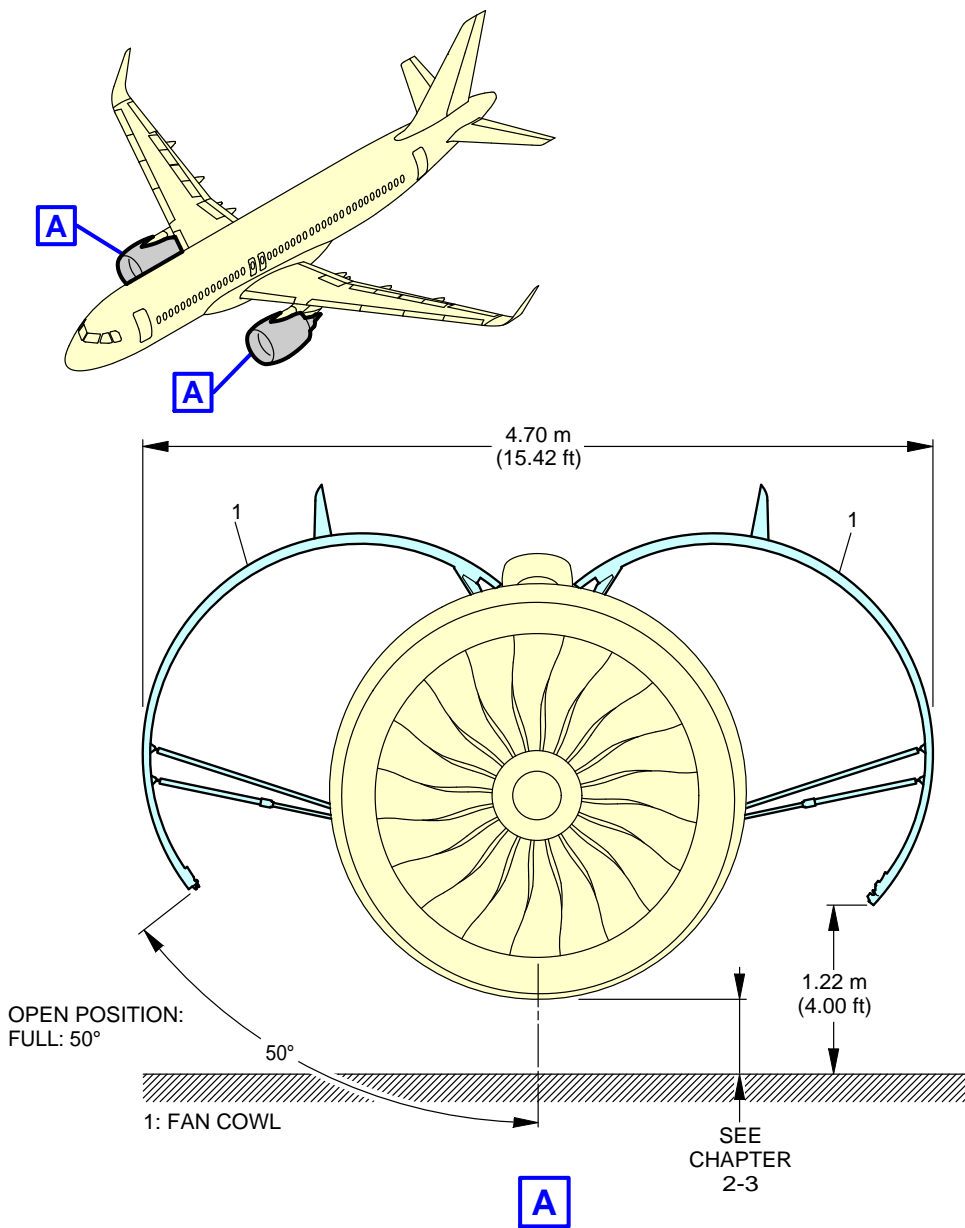
**\*\*ON A/C A320neo**



N\_AC\_021200\_1\_0460101\_01\_01

Power Plant Handling  
Major Dimensions - PW 1100G Engine  
FIGURE-2-12-0-991-046-A01

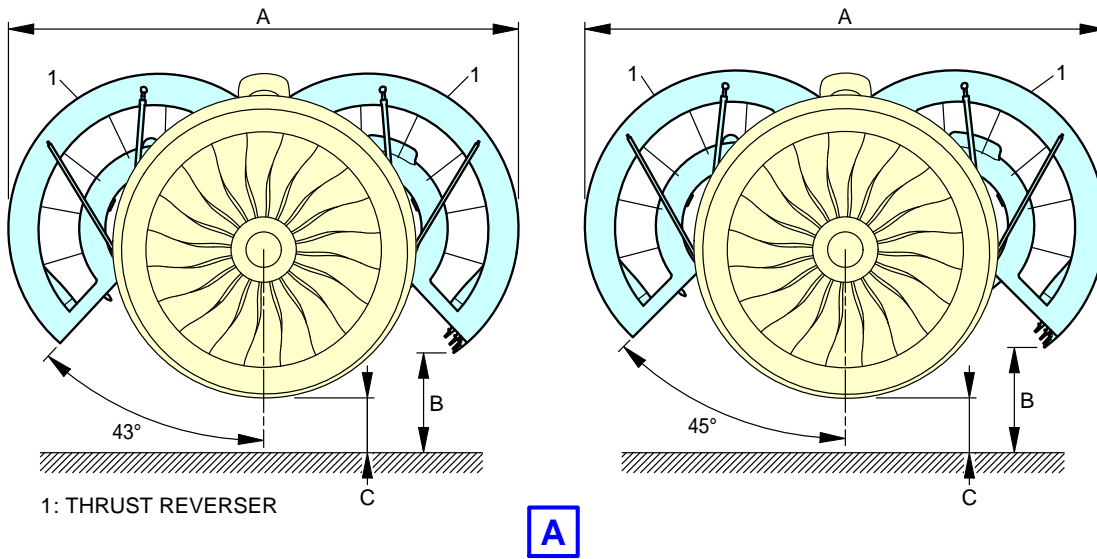
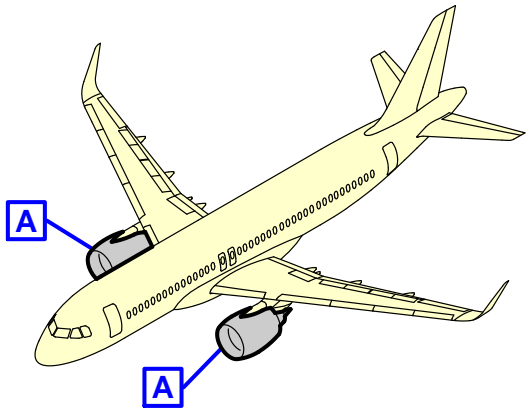
**\*\*ON A/C A320neo**



N\_AC\_021200\_1\_0470101\_01\_01

Power Plant Handling  
Fan Cowls - PW 1100G Engine  
FIGURE-2-12-0-991-047-A01

**\*\*ON A/C A320neo**



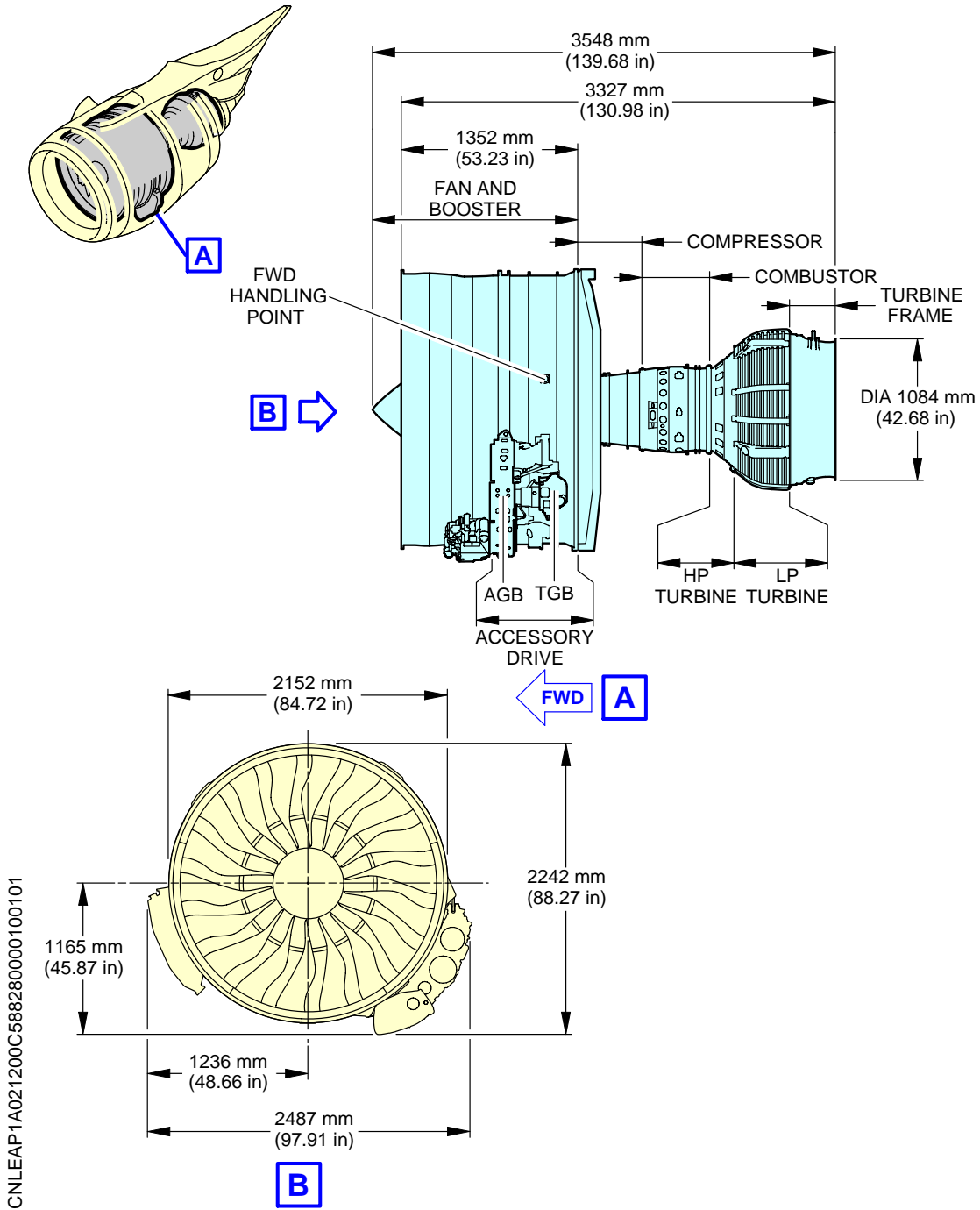
OPEN POSITION	A	B		C
		MIN.	MAX.	
43°	4.26 m (13.98 ft)	0.80 m (2.62 ft)	0.90 m (2.95 ft)	SEE AC SECTION 2-3-0
45°	4.33 m (14.21 ft)	0.84 m (2.76 ft)	0.95 m (3.12 ft)	

**NOTE:**  
B AND C DEPENDING ON AIRCRAFT CONFIGURATION.

N\_AC\_021200\_1\_0480101\_01\_00

Power Plant Handling  
Thrust Reverser Halves - PW 1100G Engine  
FIGURE-2-12-0-991-048-A01

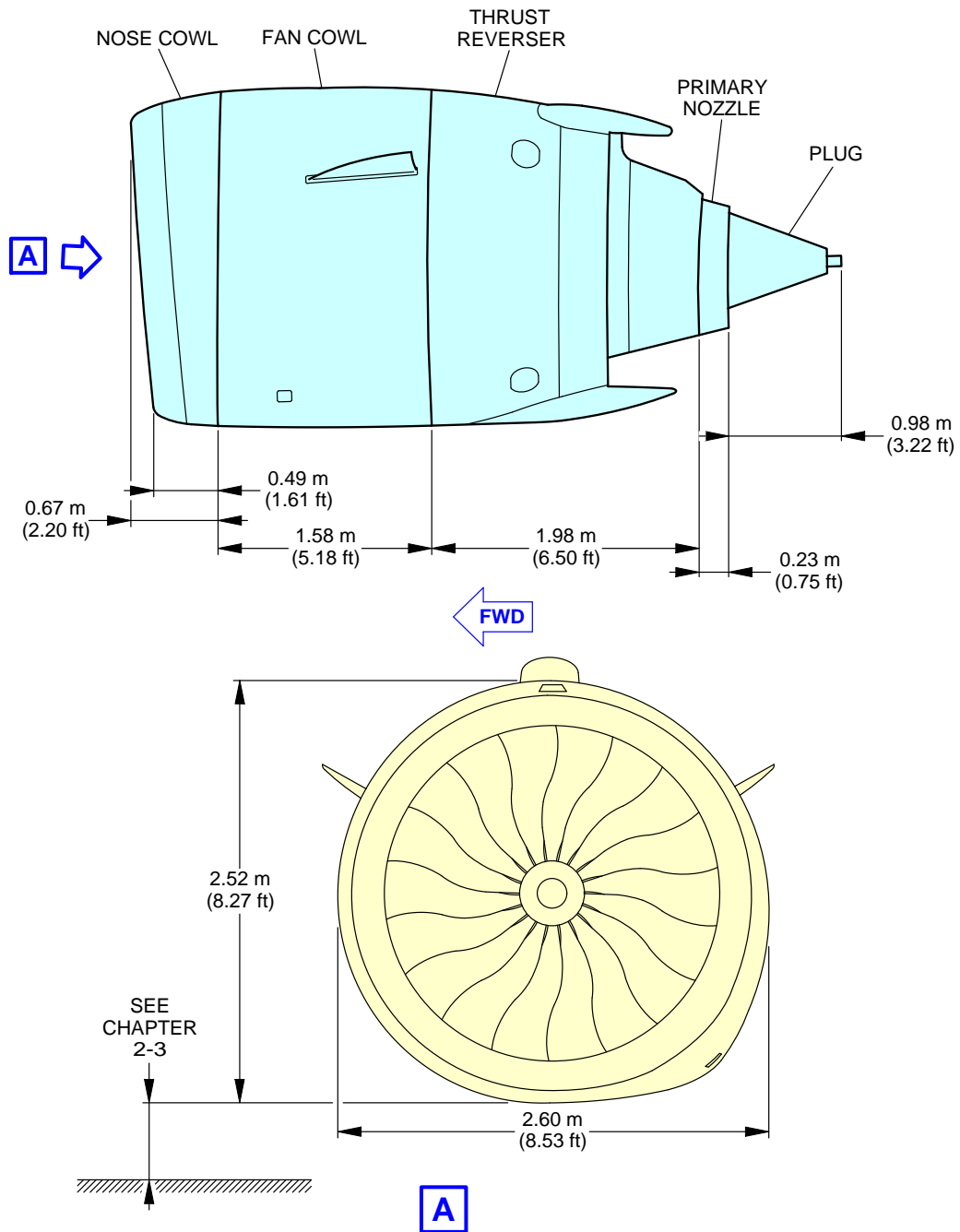
**\*\*ON A/C A320neo**



N\_AC\_021200\_1\_0540101\_01\_00

Power Plant Handling  
Major Dimensions - CFM LEAP-1A Engine  
FIGURE-2-12-0-991-054-A01

**\*\*ON A/C A320neo**



N\_AC\_021200\_1\_0550101\_01\_01

Power Plant Handling  
Major Dimensions - CFM LEAP-1A Engine  
FIGURE-2-12-0-991-055-A01

## 2-13-0 Leveling, Symmetry and Alignment

### **\*\*ON A/C A320-200 A320neo**

#### Leveling, Symmetry and Alignment

##### 1. Quick Leveling

There are three alternative procedures to level the aircraft:

- Quick leveling procedure with Air Data/Inertial Reference Unit (ADIRU).
- Quick leveling procedure with a spirit level in the passenger compartment.
- Quick leveling procedure with a spirit level in the FWD cargo compartment.

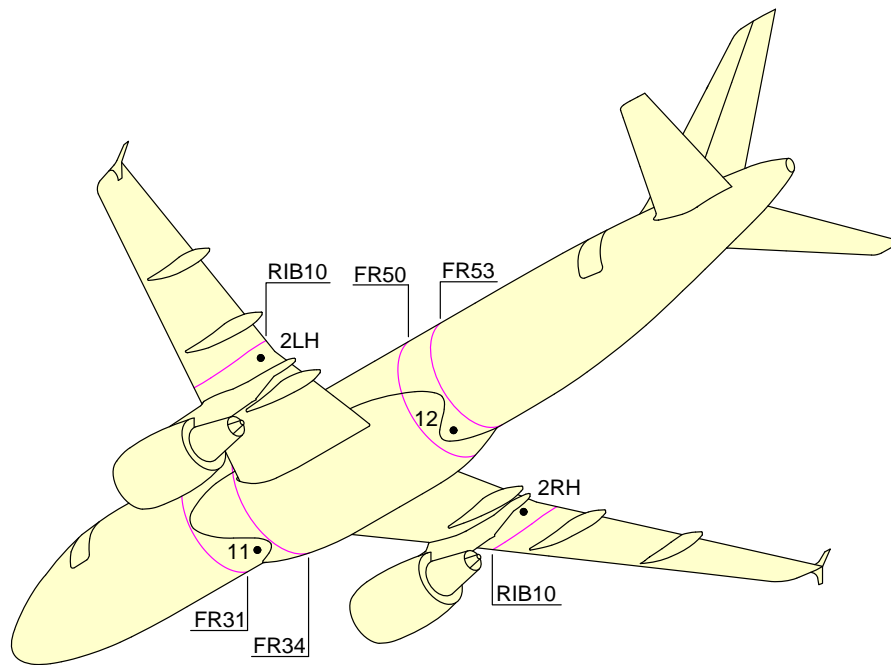
##### 2. Precise Leveling

For precise leveling, it is necessary to install sighting rods in the receptacles located under the fuselage (points 11 and 12 for longitudinal leveling) and under the wings (points 2LH and 2RH for lateral leveling) and use a sighting tube. With the aircraft on jacks, adjust the jacks until the reference marks on the sighting rods are aligned in the sighting plane (aircraft level).

##### 3. Symmetry and Alignment Check

Possible deformation of the aircraft is measured by photogrammetry.

**\*\*ON A/C A320-200 A320neo**



N\_AC\_021300\_1\_0040101\_01\_00

Location of the Leveling Points  
FIGURE-2-13-0-991-004-A01



## 2-14-0 Jacking

### **\*\*ON A/C A320-200 A320neo**

#### Jacking for Maintenance

#### 1. Aircraft Jacking Points for Maintenance

##### A. General

(1) The A320 can be jacked:

- At not more than 59 000 kg (130 073 lb),
- Within the limits of the permissible wind speed when the aircraft is not in a closed environment.

##### B. Primary Jacking Points

(1) The aircraft is provided with three primary jacking points:

- One located under the forward fuselage (FR8),
- Two located under the wings (one under each wing, located at the intersection of RIB9 and the datum of the rear spar).

(2) Three jack adapters are used as intermediary parts between the aircraft and the jacks:

- One male spherical jack adapter of 19 mm (0.75 in) radius, forming part of the aircraft structure (FR8),
- Two wing jack pads (one attached to each wing at RIB9 with 2 bolts) for the location of the jack adaptor.

Wing jack pads are ground equipment.

##### C. Auxiliary Jacking Points (Safety Stay)

(1) When the aircraft is on jacks, it is recommended that a safety stay be placed under the fuselage, between FR73 and FR74, to prevent tail tipping caused by accidental displacement of the center of gravity.

(2) The safety stay must not be used to lift the aircraft.

(3) A male spherical ball pad with a 19 mm (0.75 in) radius, forming part of the aircraft structure, is provided for using the safety stay.

#### 2. Jacks and Safety Stay

##### A. Jack Design

(1) The maximum permitted loads given in the table in FIGURE 2-14-0-991-030-A are the maximum loads applicable on jack fittings.

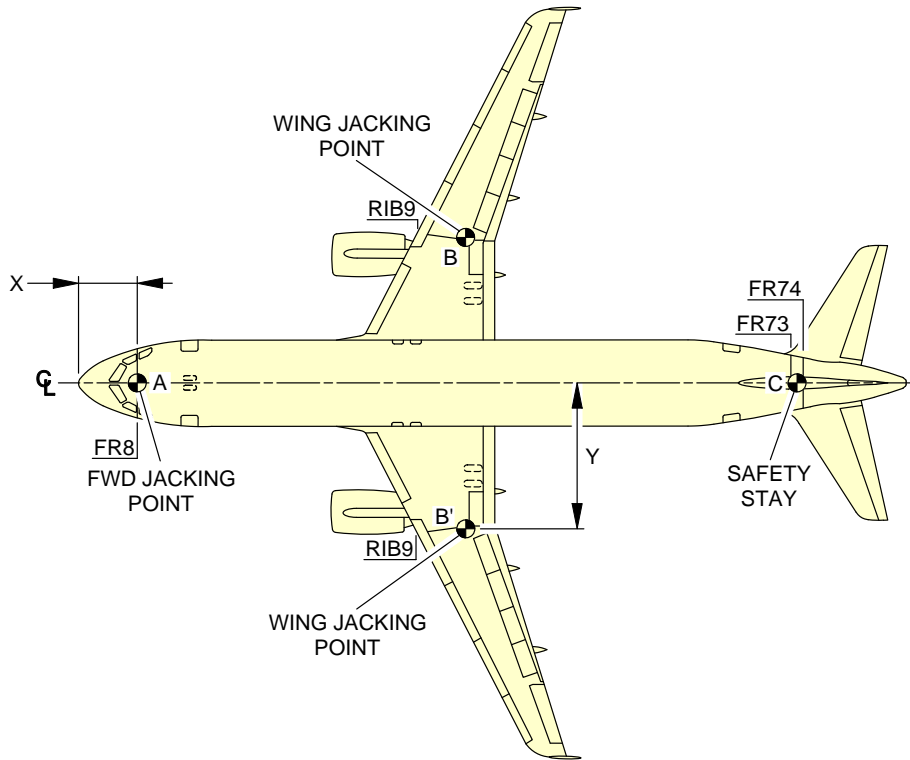
- (2) In the fully retracted position (jack stroke at minimum), the height of the jack is such that the jack may be placed beneath the aircraft in the most adverse conditions, namely, tires deflated and shock absorbers depressurized. In addition, there must be a clearance of approximately 50 mm (1.97 in) between the aircraft jacking point and the jack upper end.
- (3) The lifting jack stroke enables the aircraft to be jacked up so that the fuselage longitudinal datum line (aircraft center line) is parallel to the ground, with a clearance of 100 mm (3.94 in) between the main landing gear wheels and the ground. This enables the landing gear extension/retraction tests to be performed.

### 3. Shoring Cradles

When it is necessary to support the aircraft in order to relieve the loads on the structure to do modifications or major work, shoring cradles shall be placed under each wing and the fuselage as necessary.

NOTE : The aircraft must not be lifted or supported by the wings or fuselage alone without adequate support of the other.

**\*\*ON A/C A320-200**



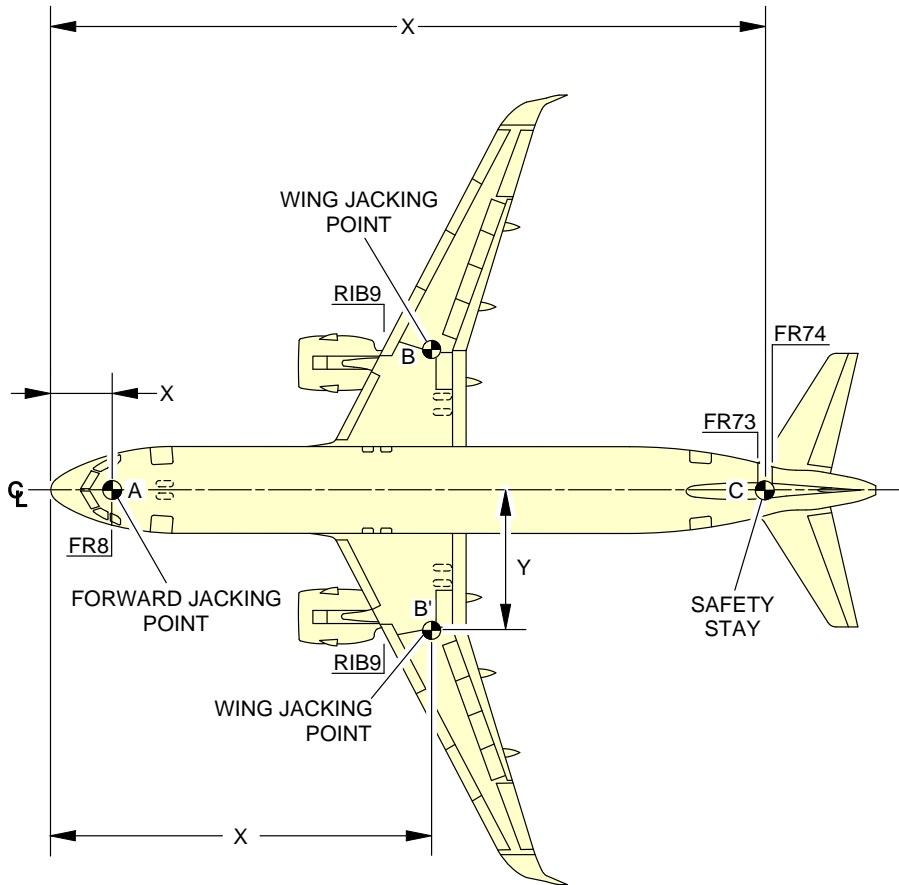
	X		Y		MAXIMUM LOAD ELIGIBLE daN	
	m	ft	m	ft		
FORWARD FUSELAGE JACKING POINT A	2.74	8.99	0	0	6 800	
WING JACKING POINT	B	17.56	57.61	6.50	21.33	28 500
	B'	17.56	57.61	-6.50	-21.33	28 500
SAFETY STAY C	32.57	106.86	0	0	2 000	

**NOTE:**  
SAFETY STAY IS NOT USED FOR JACKING.

N\_AC\_021400\_1\_0300101\_01\_02

Jacking for Maintenance  
Jacking Point Locations  
FIGURE-2-14-0-991-030-A01

**\*\*ON A/C A320neo**



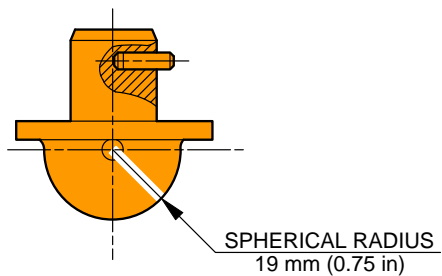
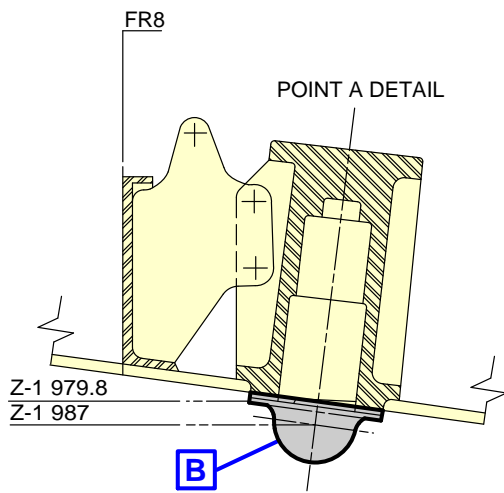
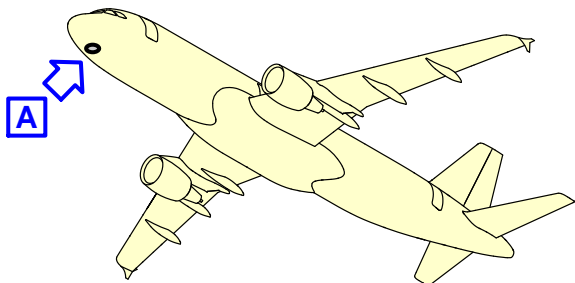
	X		Y		MAXIMUM LOAD ELIGIBLE daN	
	m	ft	m	ft		
FORWARD FUSELAGE JACKING POINT A	2.74	8.99	0	0	6 800	
WING JACKING POINT	B	17.73	58.17	6.50	21.33	28 500
	B'	17.73	58.17	-6.50	-21.33	28 500
SAFETY STAY C	32.57	106.86	0	0	2 000	

**NOTE:**  
SAFETY STAY IS NOT USED FOR JACKING.

N\_AC\_021400\_1\_0660101\_01\_00

Jacking for Maintenance  
Jacking Point Locations  
FIGURE-2-14-0-991-066-A01

**\*\*ON A/C A320-200 A320neo**

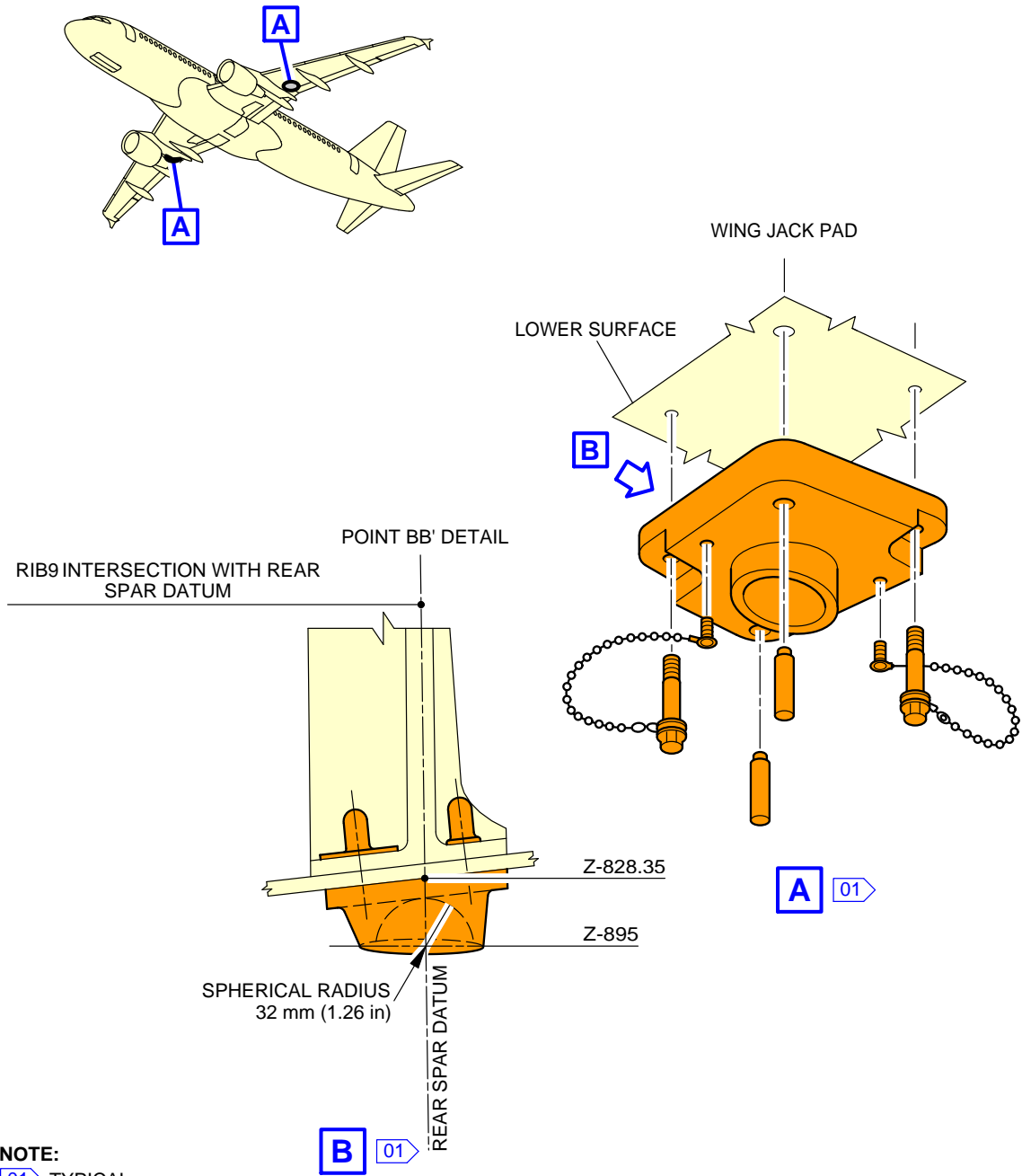


**B**

N\_AC\_021400\_1\_0310101\_01\_00

Jacking for Maintenance  
Forward Jacking Point  
FIGURE-2-14-0-991-031-A01

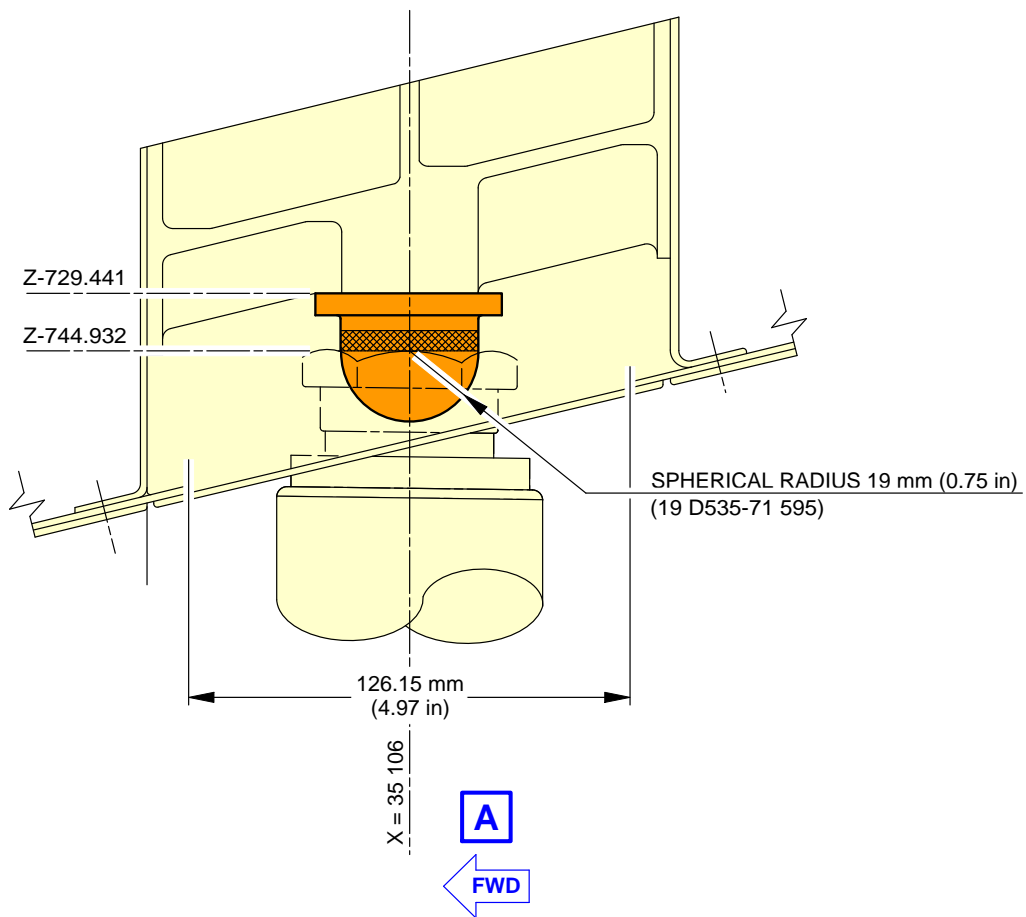
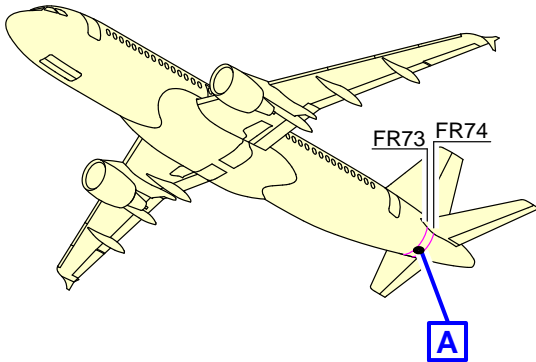
**\*\*ON A/C A320-200 A320neo**



N\_AC\_021400\_1\_0320101\_01\_01

Jacking for Maintenance  
Wing Jacking Points  
FIGURE-2-14-0-991-032-A01

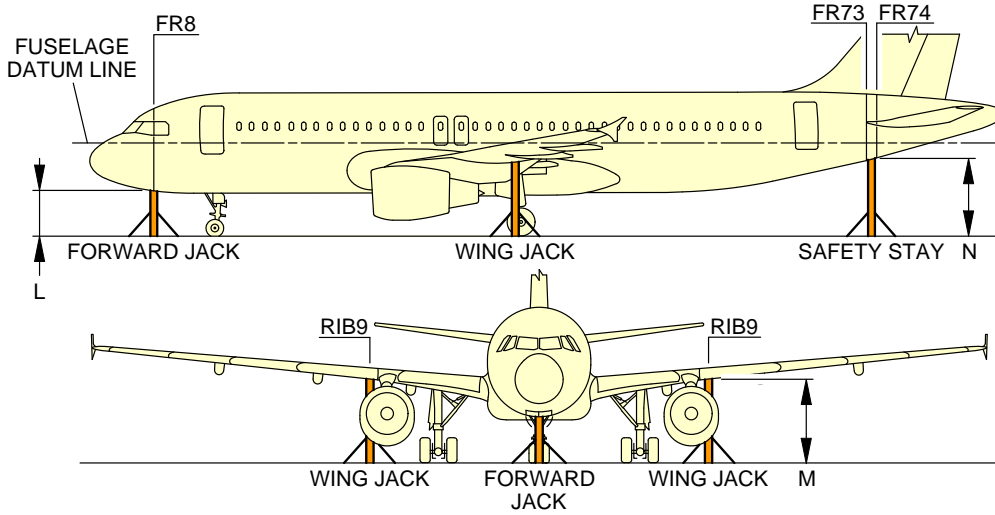
**\*\*ON A/C A320-200 A320neo**



N\_AC\_021400\_1\_0330101\_01\_01

Jacking for Maintenance  
Safety Stay  
FIGURE-2-14-0-991-033-A01

**\*\*ON A/C A320-200**



TYPICAL JACK INSTALLATION SHOWN

CONFIGURATION	DESCRIPTION	DISTANCE BETWEEN JACKING/SAFETY POINTS AND THE GROUND		
		L (FORWARD JACK)	M (WING JACK)	N (SAFETY STAY)
- AIRCRAFT ON WHEELS	- NLG SHOCK ABSORBER DEFLATED AND NLG TIRES FLAT - MLG STANDARD TIRES, WITH STANDARD SHOCK ABSORBERS	1 588 mm (62.52 in)	3 113 mm (122.56 in)	3 656 mm (143.00 in)
	TIRES FLAT SHOCK ABSORBERS DEFLATED	1 660 mm (65.35 in)	2 735 mm (107.68 in)	2 834 mm (111.57 in)
	STANDARD TIRES STANDARD SHOCK ABSORBERS	1 880 mm (74.02 in)	3 112 mm (122.52 in)	3 364 mm (132.44 in)
- AIRCRAFT ON JACKS (FORWARD JACK AND WING JACKS) - FUSELAGE DATUM LINE PARALLEL TO THE GROUND	STANDARD TIRES MLG SHOCK ABSORBERS EXTENDED WITH WHEEL CLEARANCE OF 120 mm (4.72 in) FOR MLG RETRACTION OR EXTENSION	2 554 mm (100.55 in)	3 655 mm (143.90 in)	3 779 mm (148.78 in)
	STANDARD TIRES MLG SHOCK ABSORBERS EXTENDED WITH WHEEL CLEARANCE OF 770 mm (30.31 in) FOR REPLACEMENT OF THE MLG	3 204 mm (126.14 in)	4 305 mm (169.49 in)	4 429 mm (174.37 in)
- AIRCRAFT ON FORWARD JACK - MLG WHEELS ON THE GROUND	STANDARD TIRES NLG SHOCK ABSORBERS EXTENDED WITH WHEEL CLEARANCE OF 60 mm (2.36 in) FOR NLG RETRACTION OR EXTENSION	2 387 mm (93.98 in)	NA	2 854 mm (112.36 in)

**NOTE:**

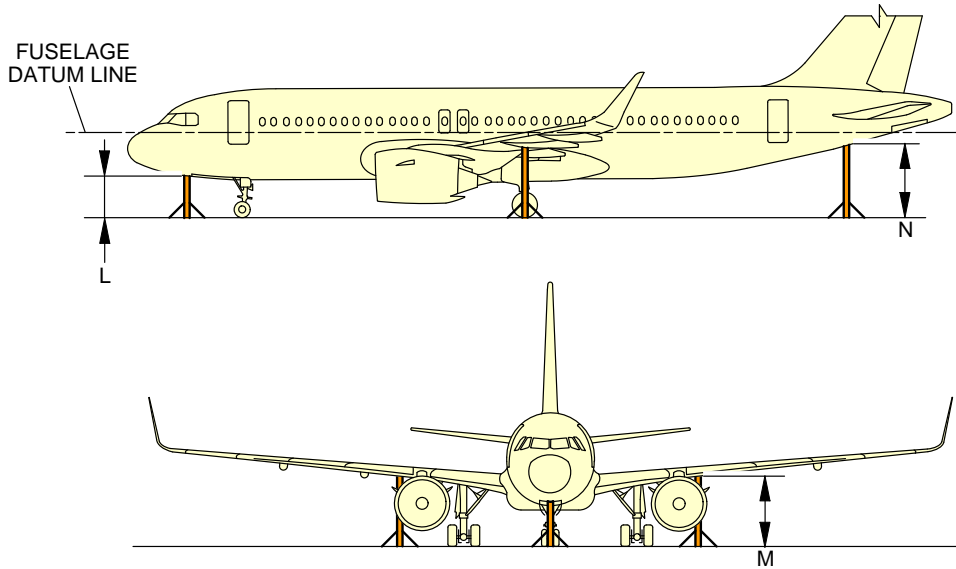
THE SAFETY STAY IS NOT USED FOR JACKING.

N\_AC\_021400\_1\_0340101\_01\_02

Jacking for Maintenance  
Jacking Design  
FIGURE-2-14-0-991-034-A01



**\*\*ON A/C A320neo**



CONFIGURATION	CG POSITION (% MAC)	HEIGHT					
		L		M		N	
		m	ft	m	ft	m	ft
AIRCRAFT ON WHEELS, SHOCK-ABSORBERS DEFLATED, TIRES DEFLATED (RH)	15	1.91	6.27	3.29 LH 2.75 RH	10.79 LH 9.02 RH	3.06	10.04
	40	2.07	6.79	3.26 LH 2.76 RH	10.70 LH 9.06 RH	2.88	9.45
AIRCRAFT ON JACKS, FDL AT 5.21 m (17.09 ft), AIRCRAFT FUSELAGE PARALLEL TO THE GROUND, SHOCK-ABSORBERS EXTENDED, CLEARANCE OF MAIN GEAR WHEELS = 0.73 m (2.40 ft) (STANDARD TIRES <span style="border: 1px solid black; padding: 0 2px;">01</span> ), CLEARANCE OF NOSE GEAR WHEELS = 0.94 m (3.08 ft) (STANDARD TIRES <span style="border: 1px solid black; padding: 0 2px;">01</span> )	N/A	3.23	10.60	4.38	14.37	4.47	14.67
AIRCRAFT ON WHEELS (STANDARD TIRES <span style="border: 1px solid black; padding: 0 2px;">01</span> ) MAXIMUM JACKING WEIGHT = 59 000 kg (130 073 lb)	15	1.87	6.14	3.19	10.47	3.44	11.29
	40	2.01	6.59	3.17	10.40	3.26	10.70
AIRCRAFT ON WHEELS (STANDARD TIRES <span style="border: 1px solid black; padding: 0 2px;">01</span> ) OEW = 43 144 kg (95 116 lb)	15	1.90	6.23	3.23	10.60	3.50	11.48
	40	2.08	6.82	3.23	10.60	3.31	10.86

**NOTE:**

01 STANDARD TIRES: NOSE LANDING GEAR = 762 x 233.52 R15  
MAIN LANDING GEAR = 1 168.4 x 431.8 R20

N\_AC\_021400\_1\_0670101\_01\_01

Jacking for Maintenance  
Jacking Design (Sheet 1 of 2)  
FIGURE-2-14-0-991-067-A01

**\*\*ON A/C A320neo**

CONFIGURATION	CG POSITION (% MAC)	HEIGHT					
		L		M		N	
		m	ft	m	ft	m	ft
AIRCRAFT ON WHEELS, NLG SHOCK-ABSORBER DEFLATED AND TIRES DEFLATED, MLG STANDARD SHOCK-ABSORBER (RH) (STANDARD TIRES <span style="border: 1px solid black; padding: 0 2px;">01</span> )	16.5	1.59	5.22	3.12	10.24	3.67	12.04
	40	1.59	5.22	3.1	10.17	3.63	11.91
AIRCRAFT ON JACKS, FDL PARALLEL TO THE GROUND AT 4.56 m (14.96 ft), SHOCK-ABSORBERS EXTENDED (STANDARD TIRES <span style="border: 1px solid black; padding: 0 2px;">01</span> ), FOR MLG RETRACTION/EXTENSION OR MLG REPLACEMENT MAKE SURE CLEARANCE OF 0.95 m (3.12 ft) FROM GROUND TO BOTTOM OF MAIN FITTING OR MAKE SURE CLEARANCE OF MLG WHEELS = 0.12 m (0.39 ft)	N/A	2.55	8.37	3.66	12.01	3.78	12.4
AIRCRAFT ON JACKS, FDL PARALLEL TO THE GROUND AT 5.21 m (17.09 ft), SHOCK-ABSORBERS EXTENDED (STANDARD TIRES <span style="border: 1px solid black; padding: 0 2px;">01</span> ), FOR REPLACEMENT OF MLG SHOCK-ABSORBER MAKE SURE CLEARANCE OF 1.6 m (5.25 ft) FROM GROUND TO BOTTOM OF MAIN FITTING OR MAKE SURE CLEARANCE OF MLG WHEELS = 0.77 m (2.53 ft)	N/A	3.2	10.5	4.31	14.14	4.43	14.53
AIRCRAFT ON JACK WITH MLG WHEELS ON GROUND, NLG SHOCK-ABSORBER EXTENDED (STANDARD TIRES <span style="border: 1px solid black; padding: 0 2px;">01</span> ), FOR NLG RETRACTION/EXTENSION OR REPLACEMENT OF NLG SHOCK-ABSORBER MAKE SURE CLEARANCE OF 1 m (3.28 ft) FROM GROUND TO BOTTOM OF TURNING TUBE OR MAKE SURE CLEARANCE OF NOSE GEAR WHEELS = 0.60 m (1.97 ft)	16.5	2.39	7.84	3.11	10.2	2.87	9.42
	40	2.39	7.84	3.1	10.17	2.83	9.28

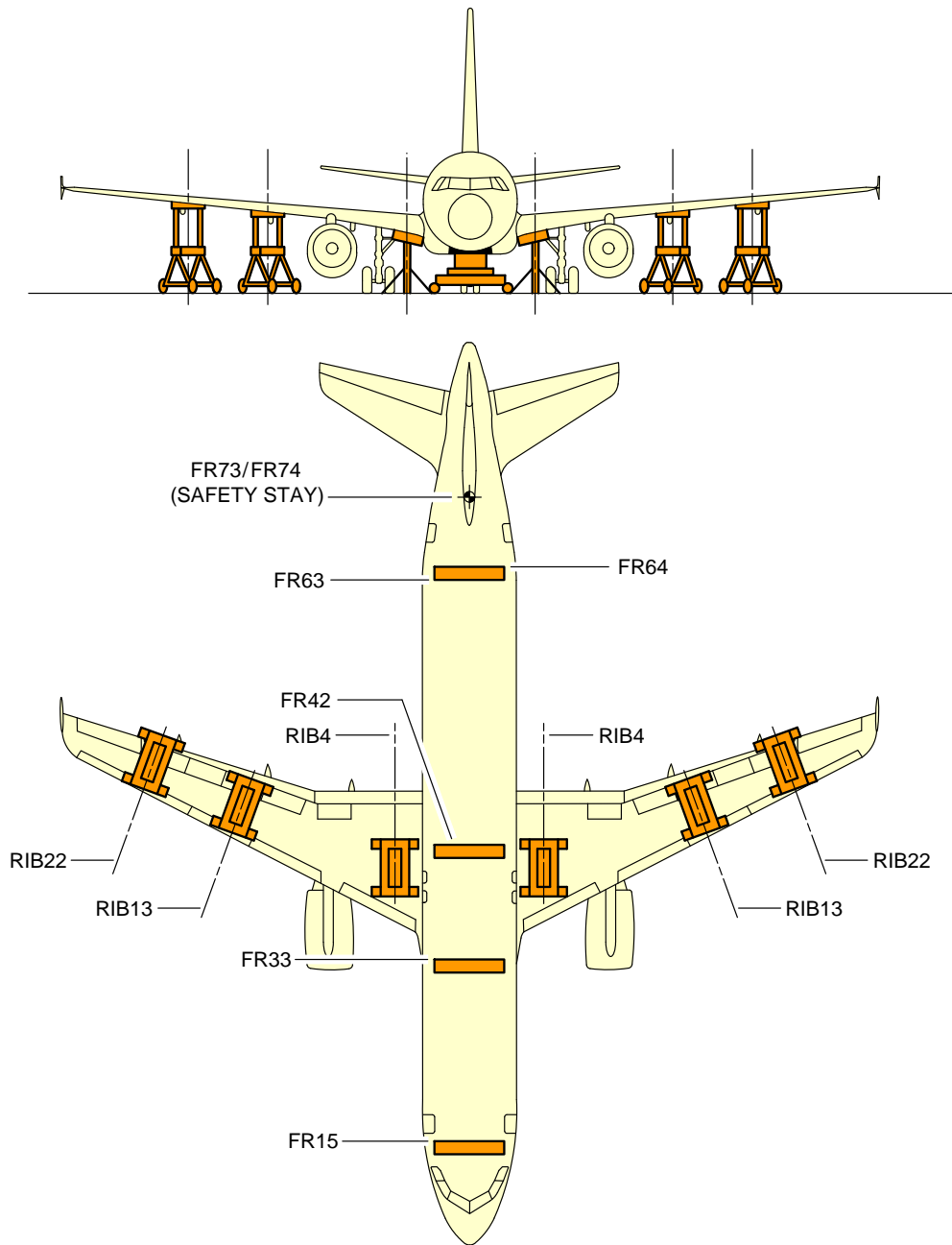
**NOTE:**

01 STANDARD TIRES: NOSE LANDING GEAR = 762 x 233.52 R15  
 MAIN LANDING GEAR = 1 168.4 x 431.8 R20

N\_AC\_021400\_1\_0670102\_01\_00

Jacking for Maintenance  
 Jacking Design (Sheet 2 of 2)  
 FIGURE-2-14-0-991-067-A01

**\*\*ON A/C A320-200 A320neo**



**NOTE:** THE SHORING CRADLE MUST BE INSTALLED AT THE EXACT LOCATION OF THE FRAME.

N\_AC\_021400\_1\_0370101\_01\_00

Jacking for Maintenance  
Location of Shoring Cradles  
FIGURE-2-14-0-991-037-A01

**\*\*ON A/C A320-200 A320neo**Jacking of the Landing Gear

## 1. General

Landing gear jacking will be required to lift the landing gear wheels off the ground.

NOTE : You can lift the aircraft at Maximum Ramp Weight (MRW).

NOTE : The load at each jacking position is the load required to give a 25.4 mm (1 in) clearance between the ground and the tire.

**\*\*ON A/C A320-200**

## 2. Main Gear Jacking (Twin Wheel)

The main gears are normally jacked up by placing a jack directly under the ball pad.

The ball spherical radius is 19 mm (0.75 in).

It is also possible to jack the main gear using a cantilever jack.

The reactions at each of the jacking points are shown in the table, see FIGURE 2-14-0-991-060-A.

**\*\*ON A/C A320neo**

## 3. Main Gear Jacking (Twin Wheel)

The main gears are normally jacked up by placing a jack directly under the ball pad.

The ball spherical radius is 19 mm (0.75 in).

It is also possible to jack the main gear using a cantilever jack.

The reactions at each of the jacking points are shown in the table, see FIGURE 2-14-0-991-063-A.

**\*\*ON A/C A320-200**

## 4. Main Gear Jacking (4-Wheel Bogie)

The fore and aft pairs of MLG wheels can be jacked by placing a jack directly under the ball pads located at each end of the bogie beam.

The ball spherical radius is 19 mm (0.75 in).

The leading dimensions and environmental distances of these jacking points are shown on FIGURE 2-14-0-991-048-A, FIGURE 2-14-0-991-049-A and FIGURE 2-14-0-991-050-A.

The reactions at each of the jacking points are shown in the table, see FIGURE 2-14-0-991-060-A.

## 5. Nose Gear Jacking

For nose gear jacking, a 19 mm (0.75 in) radius ball pad is fitted under the lower end of the shock-absorber sliding tube. Jacking can be accomplished either by placing a jack directly under the ball pad, or using an adapter fitting provided with an identical ball pad.

The reactions at each of the jacking points are shown in the table, see FIGURE 2-14-0-991-060-A.

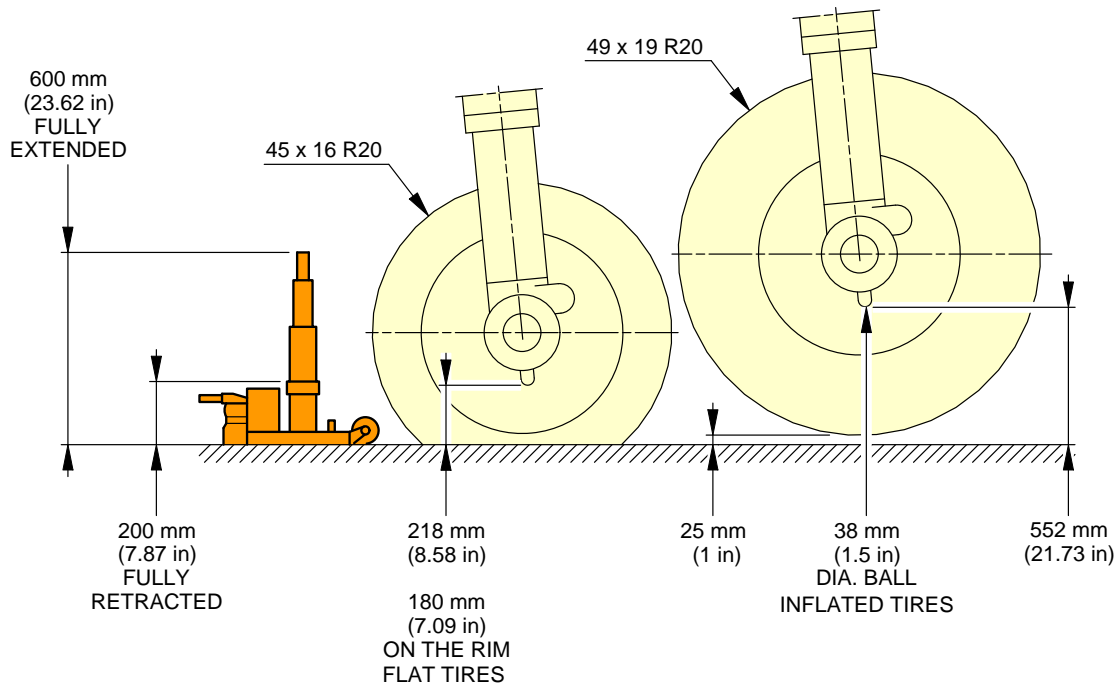
**\*\*ON A/C A320neo**

## 6. Nose Gear Jacking

For nose gear jacking, a 19 mm (0.75 in) radius ball pad is fitted under the lower end of the shock-absorber sliding tube. Jacking can be accomplished either by placing a jack directly under the ball pad, or using an adapter fitting provided with an identical ball pad.

The reactions at each of the jacking points are shown in the table, see FIGURE 2-14-0-991-063-A.

**\*\*ON A/C A320-200 A320neo**

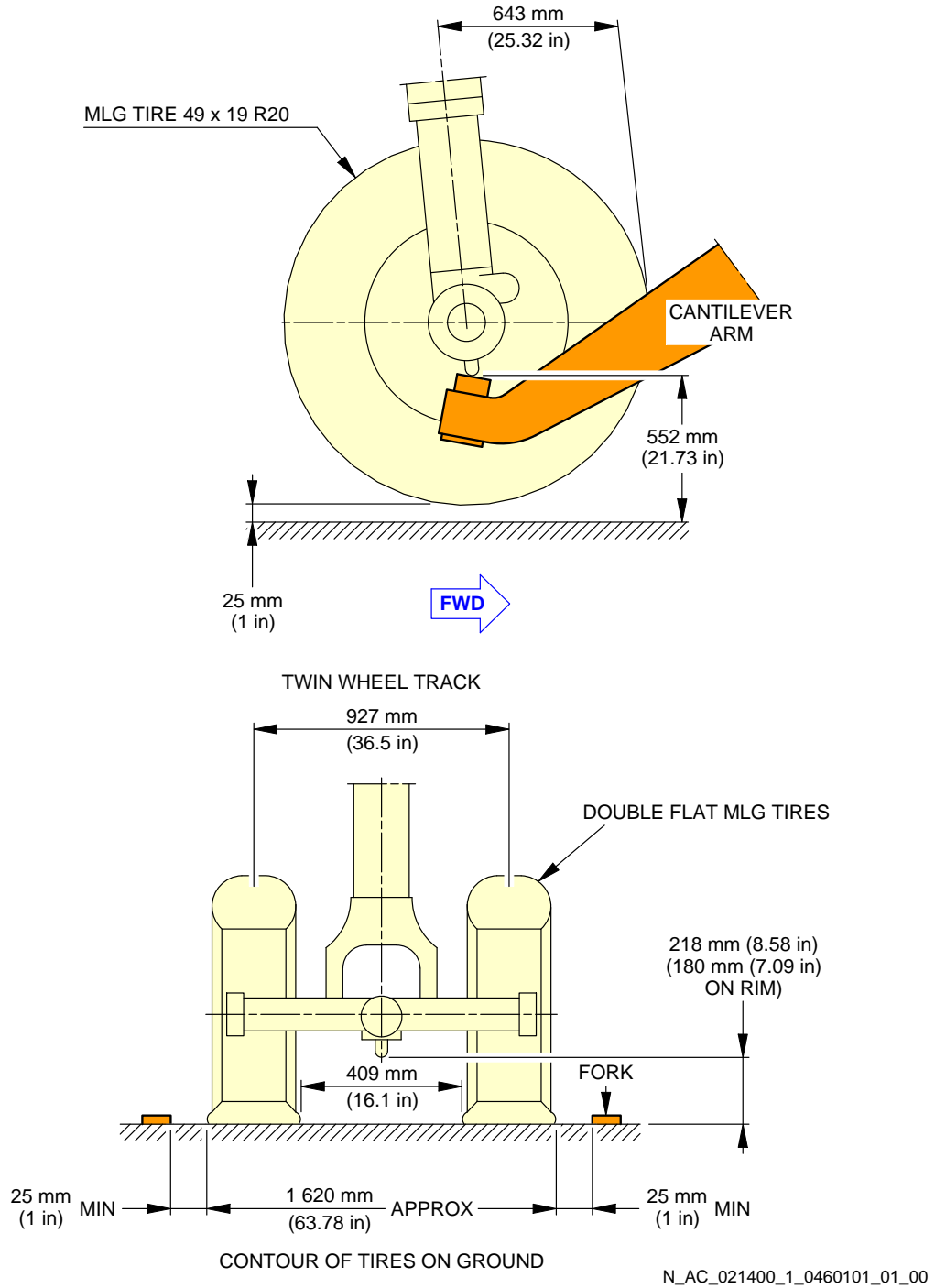


**NOTE:** TWIN WHEEL TRACK IS 927 mm (36.5 in).  
 THE FLAT TIRES VIEW SHOWS THE MINIMUM HEIGHT TO ENGAGE JACK WITH 2 FLAT TIRES.  
 THE INFLATED TIRES VIEW SHOWS THE JACKING HEIGHT TO GIVE 25 mm (1 in) CLEARANCE BETWEEN THE TIRE AND GROUND.

N\_AC\_021400\_1\_0450101\_01\_00

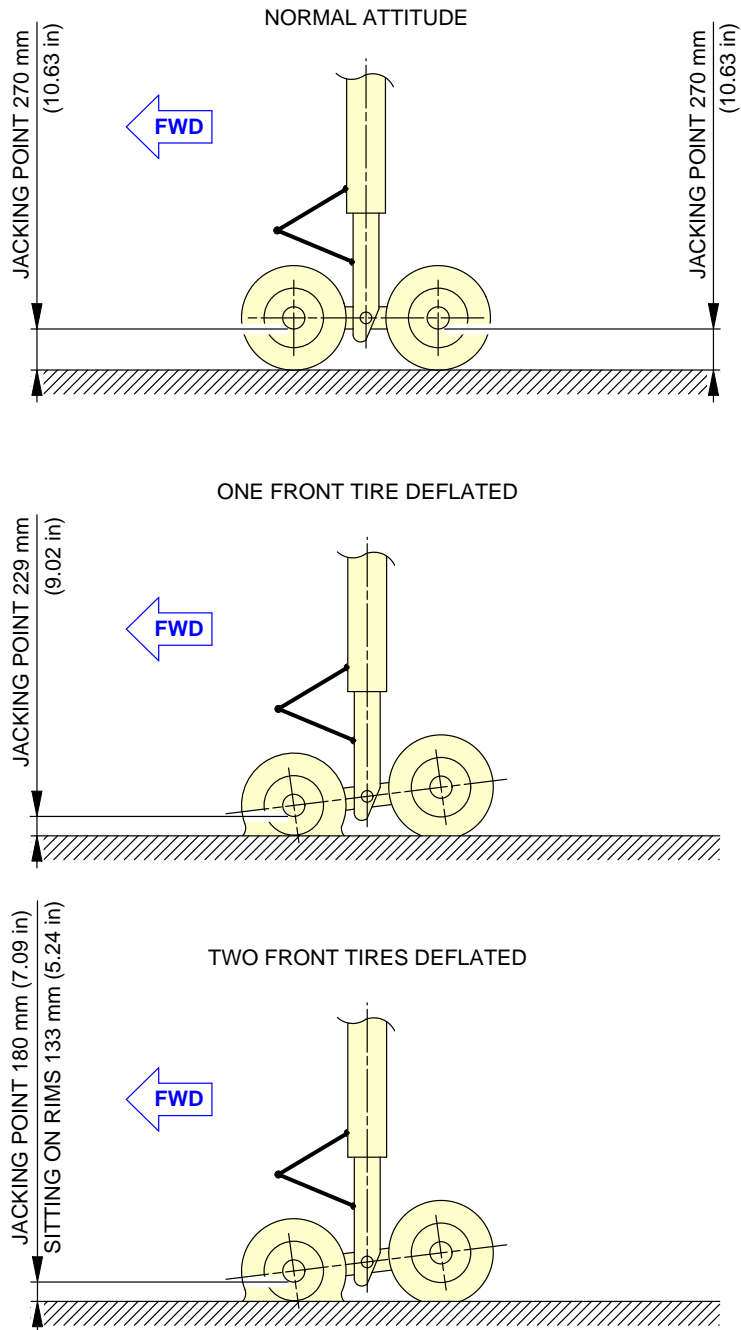
Jacking of the Landing Gear  
 MLG Jacking Point Location - Twin Wheels  
 FIGURE-2-14-0-991-045-A01

**\*\*ON A/C A320-200 A320neo**



Jacking of the Landing Gear  
 MLG Jacking with Cantilever Jack - Twin Wheels  
 FIGURE-2-14-0-991-046-A01

**\*\*ON A/C A320-200**

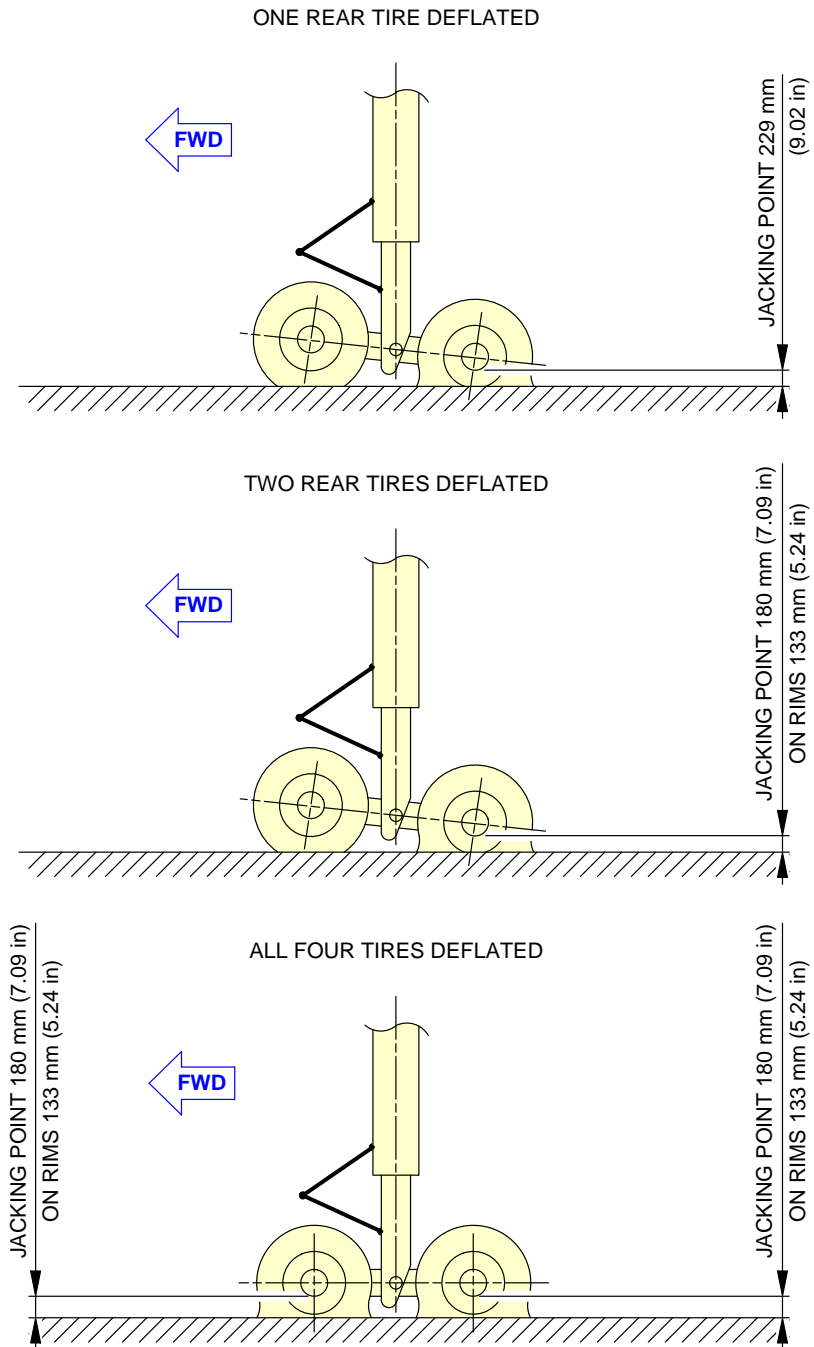


N\_AC\_021400\_1\_0480101\_01\_00

Jacking of the Landing Gear  
MLG Jacking Point Location Bogie  
FIGURE-2-14-0-991-048-A01



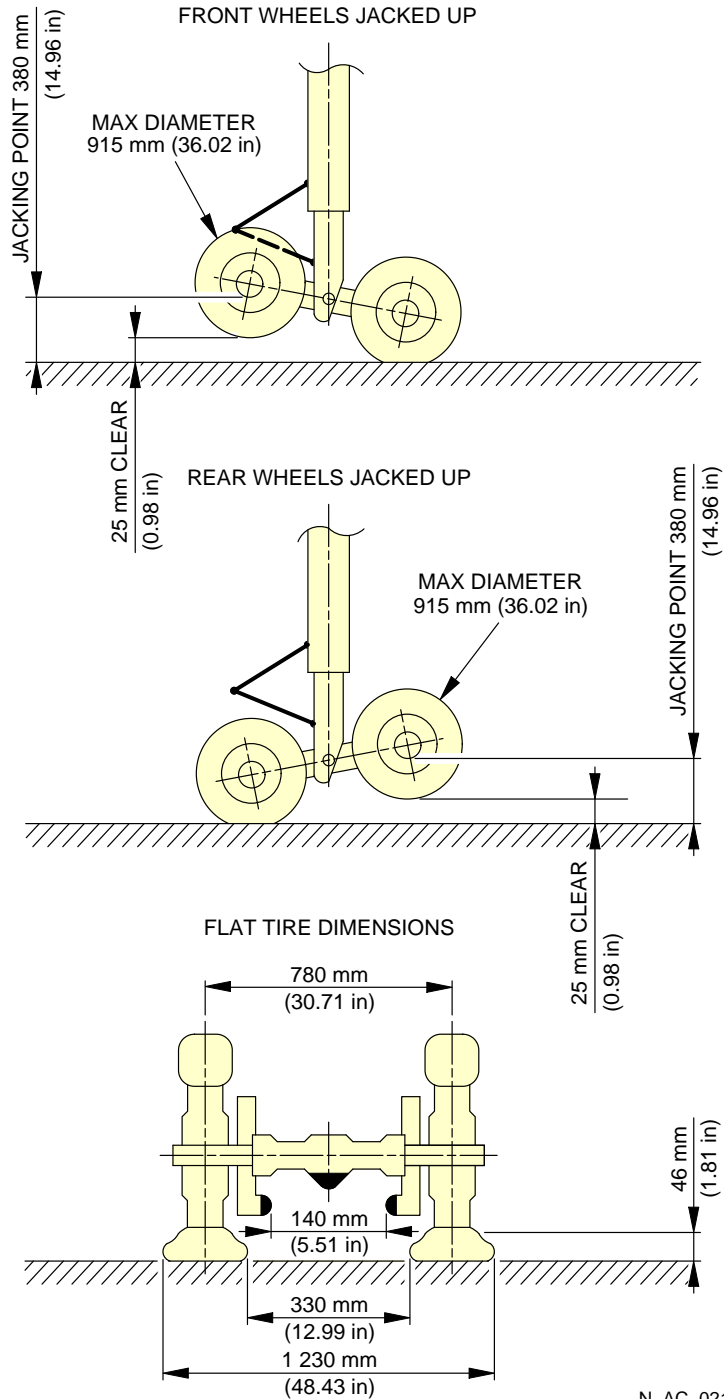
**\*\*ON A/C A320-200**



N\_AC\_021400\_1\_0490101\_01\_00

Jacking of the Landing Gear  
MLG Jacking Point Location Bogie  
FIGURE-2-14-0-991-049-A01

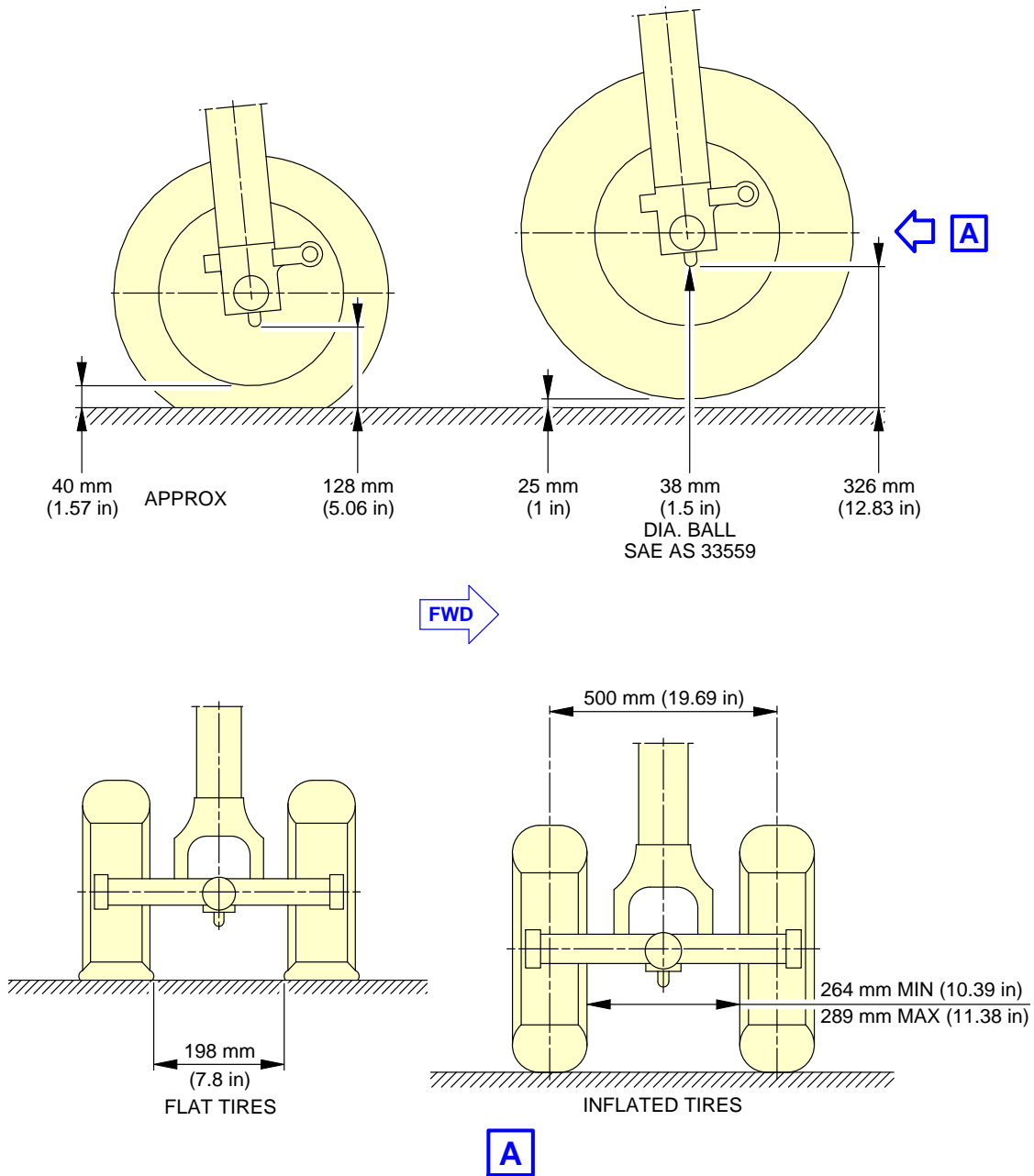
**\*\*ON A/C A320-200**



N\_AC\_021400\_1\_0500101\_01\_00

Jacking of the Landing Gear  
MLG Jacking Point Location Bogie  
FIGURE-2-14-0-991-050-A01

**\*\*ON A/C A320-200 A320neo**



**NOTE:** THE FLAT TIRES VIEW SHOWS THE MINIMUM HEIGHT TO ENGAGE JACK WITH 2 FLAT TIRES. THE INFLATED TIRES VIEW SHOWS THE JACKING HEIGHT TO GIVE 25 mm (1 in) CLEARANCE BETWEEN THE TIRE AND GROUND.

N\_AC\_021400\_1\_0530101\_01\_00

Jacking of the Landing Gear  
 NLG Jacking - Point Location  
 FIGURE-2-14-0-991-053-A01



AIRCRAFT CHARACTERISTICS - AIRPORT AND MAINTENANCE PLANNING

**\*\*ON A/C A320-200**

A320-200 WV017	
MAXIMUM DESIGN TAXI WEIGHT (MTW)	78 400 kg (172 842 lb)
MAXIMUM DESIGN TAKE-OFF WEIGHT (MTOW)	78 000 kg (171 960 lb)
MAXIMUM LOAD VALUE TO BE APPLIED ON NLG JACKING POINT	9 900 kg (21 826 lb)
NUMBER OF JACKING POINTS ON ONE MLG	1
MAXIMUM LOAD VALUE TO BE APPLIED ON MLG JACKING POINT (LEFT OR RIGHT)	36 000 kg (79 366 lb)

**NOTE:**

A320 EQUIPPED WITH BOGIE MLG IS NOT LISTED SINCE JACKING CAPABILITY REQUESTED FOR LIFTING ONE AXLE WILL BE LOWER THAN A320 EQUIPPED WITH TWIN WHEELS.

N\_AC\_021400\_1\_0600101\_01\_01

Jacking of the Landing Gear  
Maximum Load Capacity to Lift Each Jacking Point  
FIGURE-2-14-0-991-060-A01

**\*\*ON A/C A320neo**

A320 NEO WV054 AND WV055	
MAXIMUM DESIGN TAXI WEIGHT (MTW)	79 400 kg (175 047 lb)
MAXIMUM DESIGN TAKE-OFF WEIGHT (MTOW)	79 000 kg (174 165 lb)
MAXIMUM LOAD VALUE TO BE APPLIED ON NLG JACKING POINT	9 900 kg (21 826 lb)
NUMBER OF JACKING POINTS ON ONE MLG	1
MAXIMUM LOAD VALUE TO BE APPLIED ON MLG JACKING POINT (LEFT OR RIGHT)	36 250 kg (79 917 lb)

N\_AC\_021400\_1\_0630101\_01\_00

Jacking of the Landing Gear  
Maximum Load Capacity to Lift Each Jacking Point  
FIGURE-2-14-0-991-063-A01



**AIRCRAFT PERFORMANCE**

**3-1-0 General Information**

**\*\*ON A/C A320-200 A320neo**

General Information

1. Standard day temperatures for the altitudes shown are tabulated below:

Standard Day Temperatures for the Altitudes			
Altitude		Standard Day Temperature	
FEET	METERS	°F	°C
0	0	59.0	15.0
2 000	610	51.9	11.1
4 000	1 220	44.7	7.1
6 000	1 830	37.6	3.1
8 000	2 440	30.5	-0.8



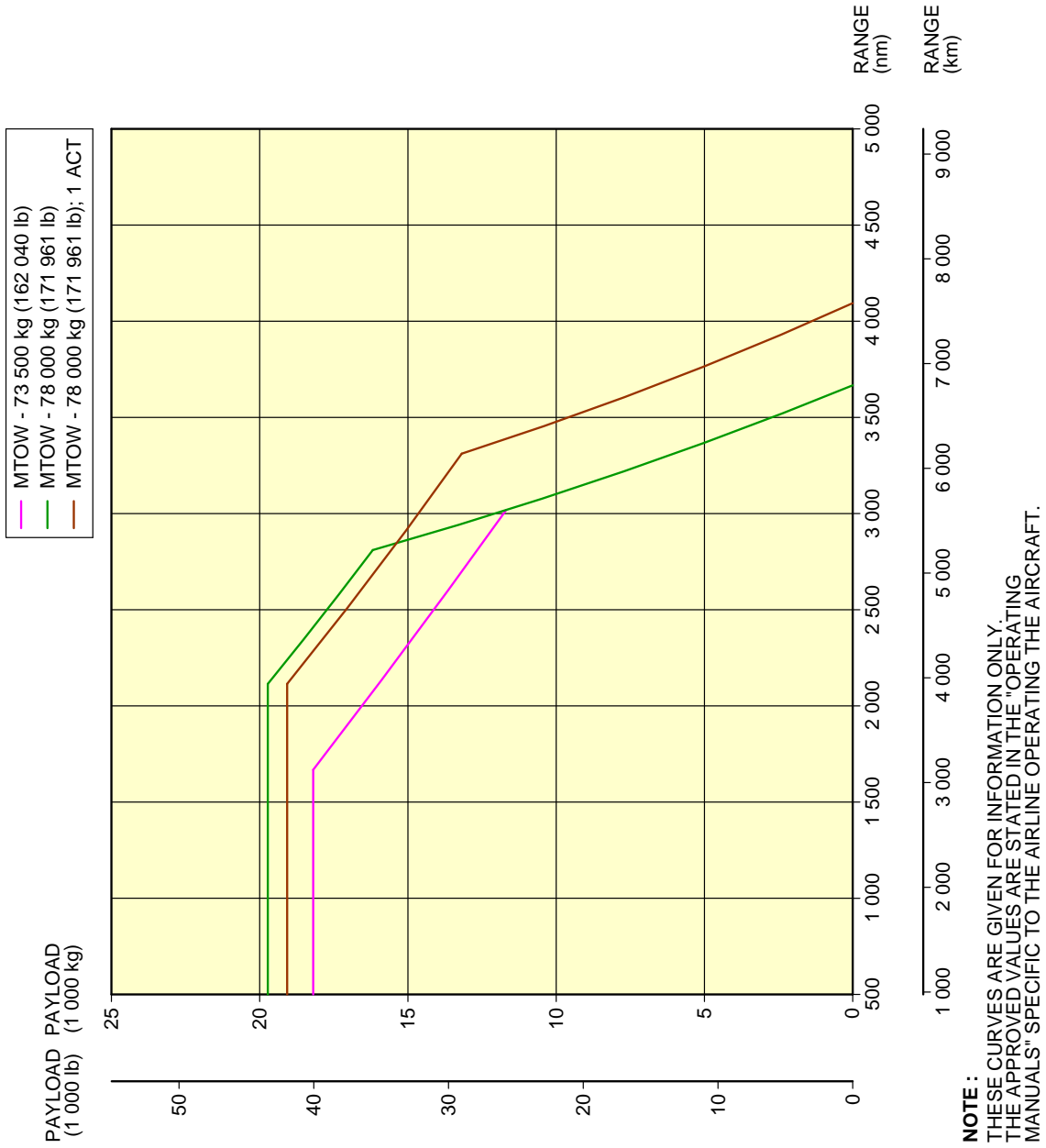
### 3-2-1 Payload / Range - ISA Conditions

**\*\*ON A/C A320-200 A320neo**

Payload/Range - ISA Conditions

1. This section provides the payload/range at ISA conditions.

**\*\*ON A/C A320-200**

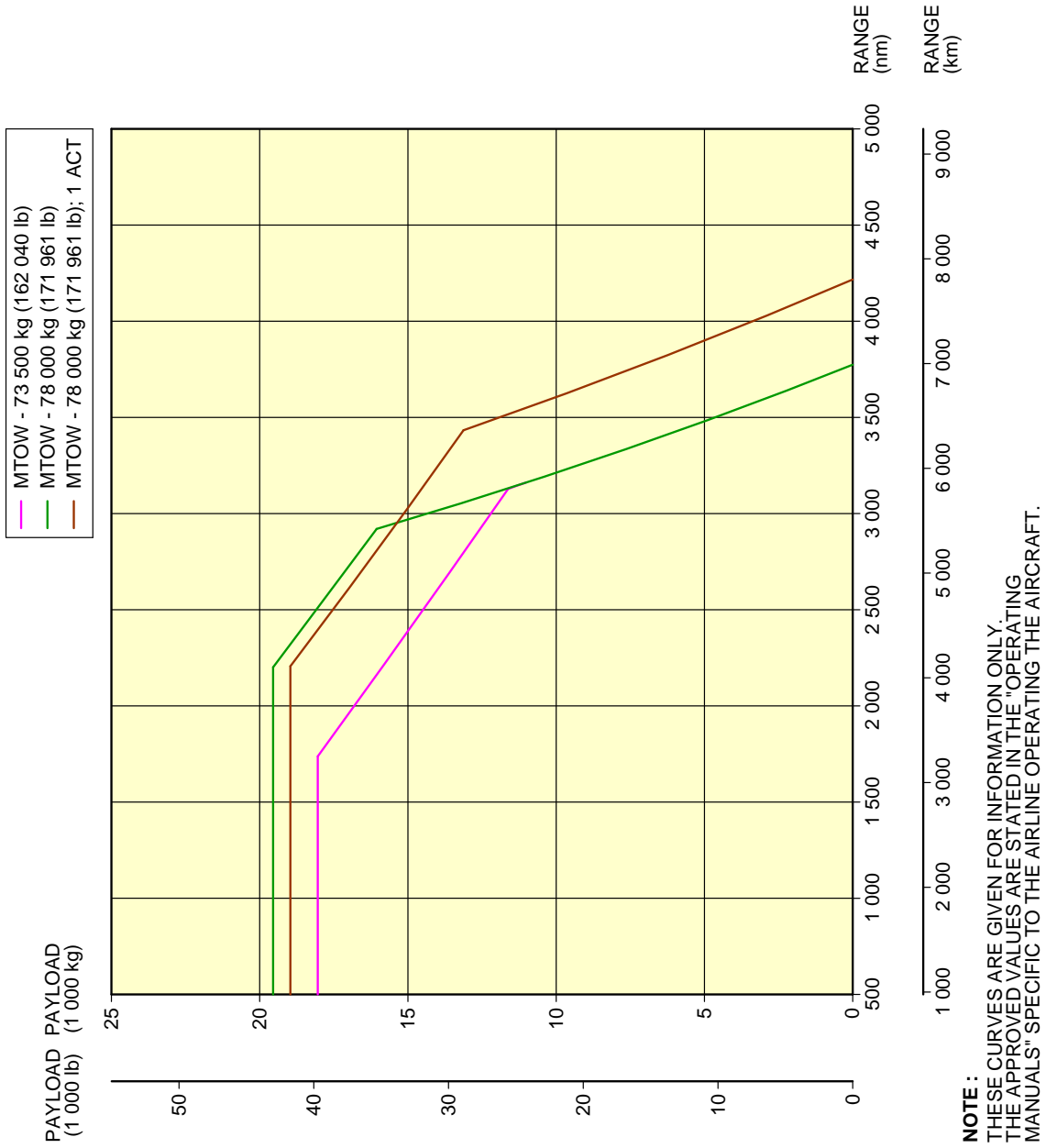


N\_AC\_030201\_1\_0160101\_01\_00

Payload/Range - ISA Conditions  
FIGURE-3-2-1-991-016-A01



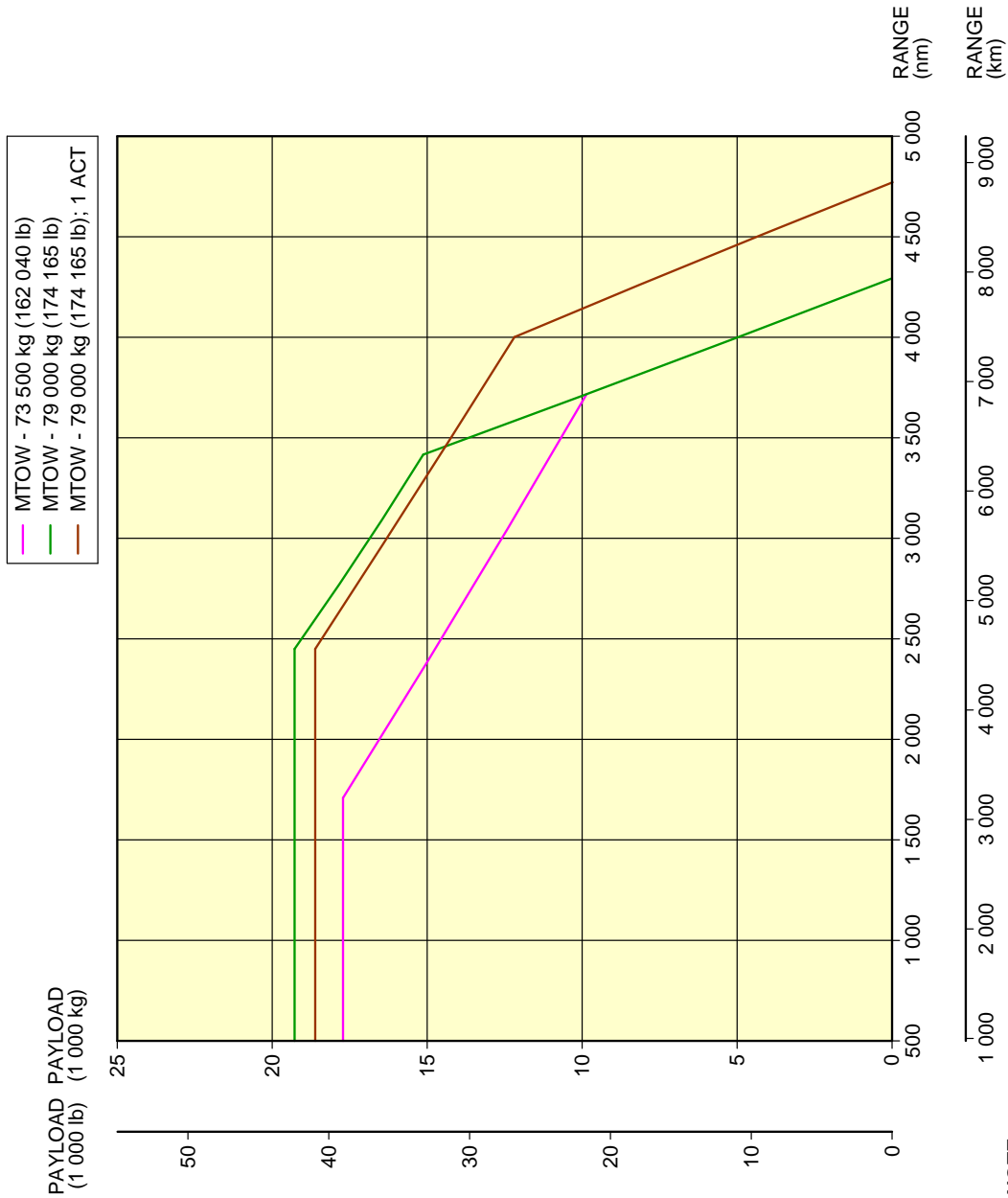
**\*\*ON A/C A320-200**



N\_AC\_030201\_1\_0170101\_01\_00

Payload/Range - ISA Conditions  
Sharklet  
FIGURE-3-2-1-991-017-A01

**\*\*ON A/C A320neo**



**NOTE :**  
 THESE CURVES ARE GIVEN FOR INFORMATION ONLY.  
 THE APPROVED VALUES ARE STATED IN THE "OPERATING  
 MANUALS" SPECIFIC TO THE AIRLINE OPERATING THE AIRCRAFT.

N\_AC\_030201\_1\_0180101\_01\_01

Payload/Range - ISA Conditions  
 FIGURE-3-2-1-991-018-A01

### 3-3-1 Take-off Weight Limitation - ISA Conditions

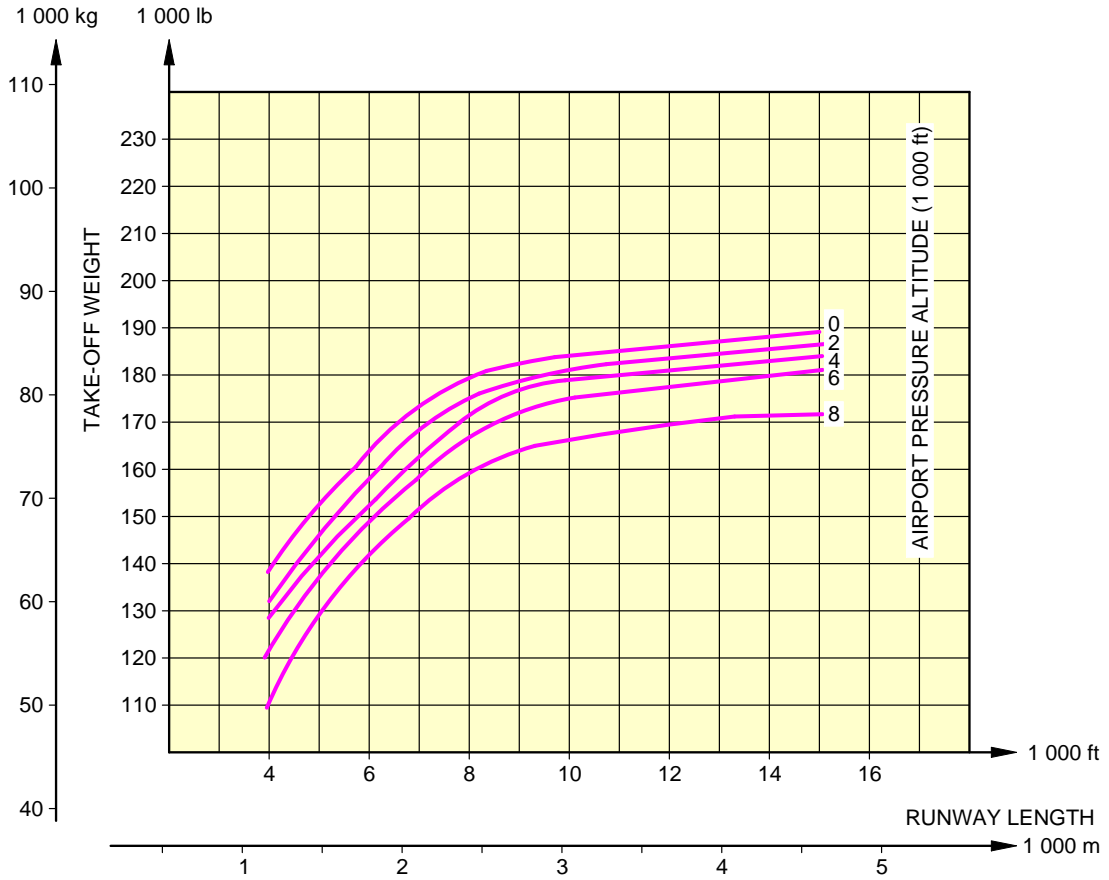
**\*\*ON A/C A320-200 A320neo**

#### Take-Off Weight Limitation - ISA Conditions

1. This section gives the take-off weight limitation at ISA conditions.

**\*\*ON A/C A320-200**

**NOTE:** THESE CURVES ARE GIVEN FOR INFORMATION ONLY  
 THE APPROVED VALUES ARE STATED IN THE "OPERATING  
 MANUALS" SPECIFIC TO THE AIRLINE OPERATING THE AIRCRAFT.

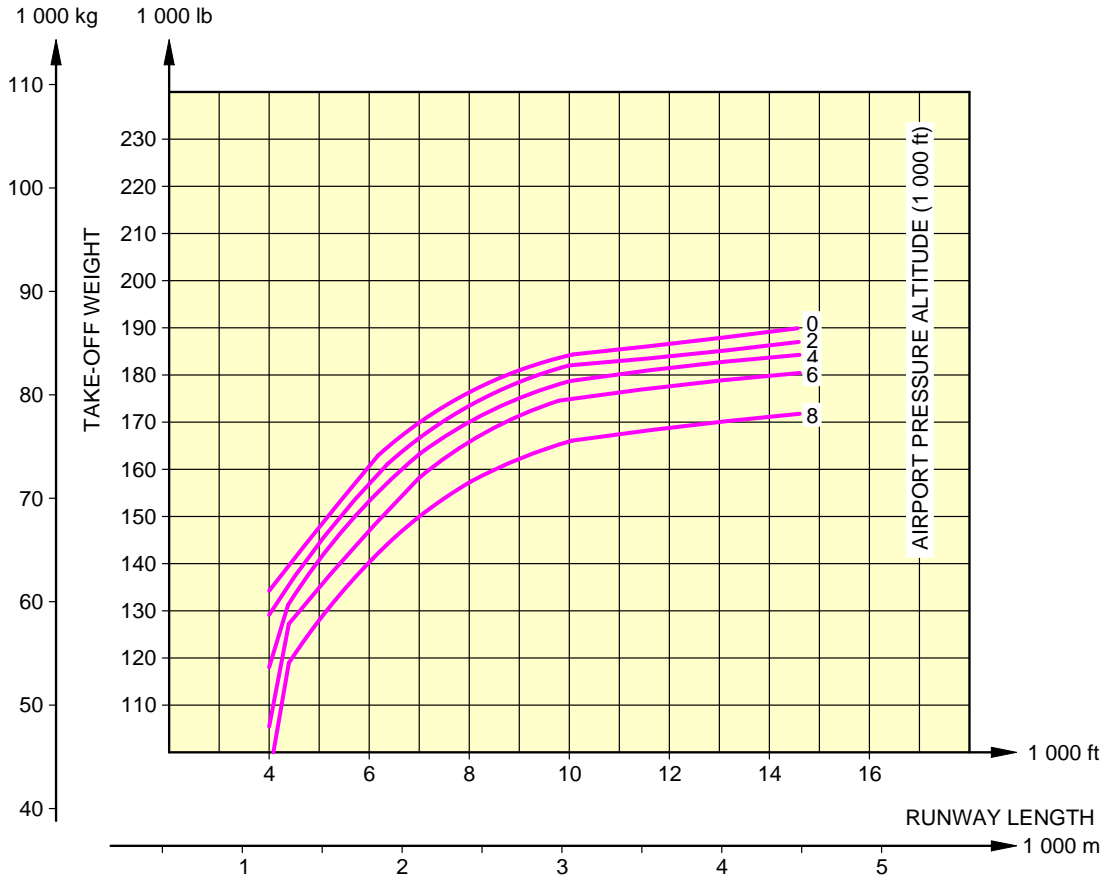


N\_AC\_030301\_1\_0050101\_01\_01

Take-Off Weight Limitation - ISA Conditions  
 CFM56 Series Engine  
 FIGURE-3-3-1-991-005-A01

**\*\*ON A/C A320-200**

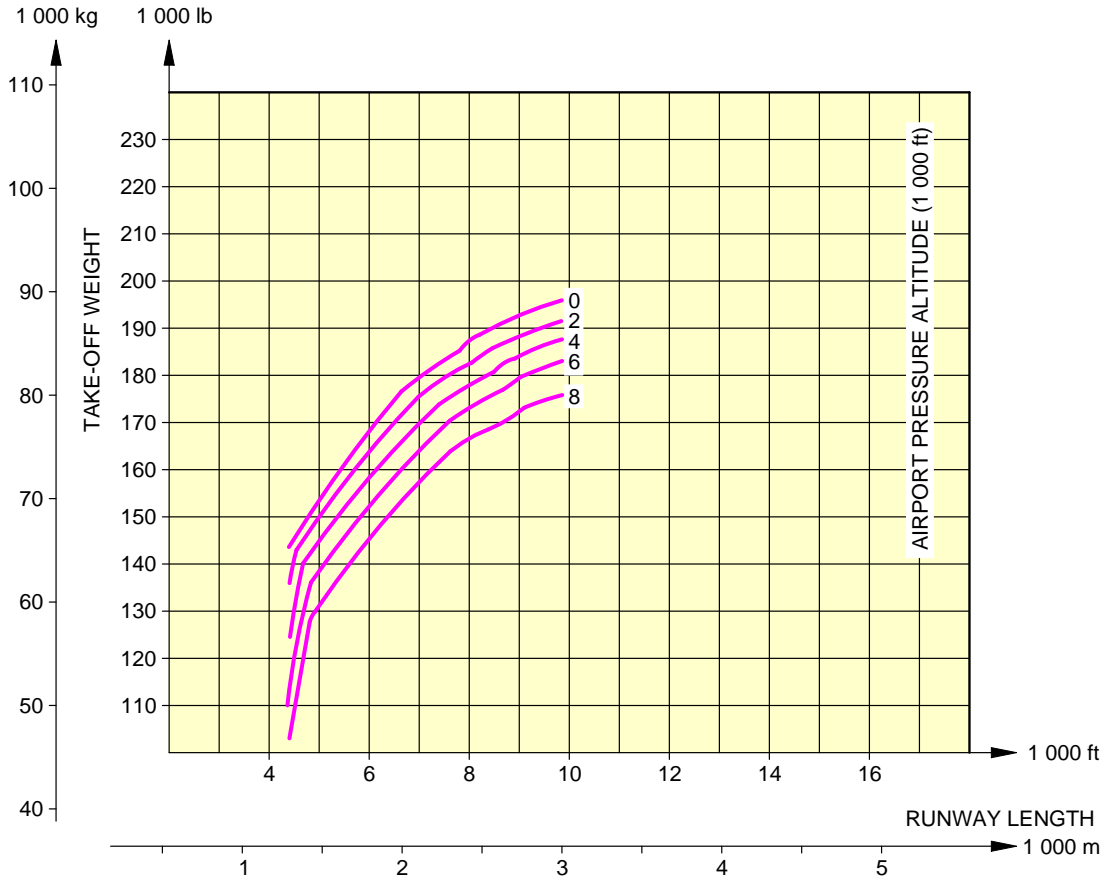
**NOTE:** THESE CURVES ARE GIVEN FOR INFORMATION ONLY  
THE APPROVED VALUES ARE STATED IN THE "OPERATING  
MANUALS" SPECIFIC TO THE AIRLINE OPERATING THE AIRCRAFT.



N\_AC\_030301\_1\_0060101\_01\_01

Take-Off Weight Limitation - ISA Conditions  
IAE V2500 Series Engine  
FIGURE-3-3-1-991-006-A01

**\*\*ON A/C A320neo**

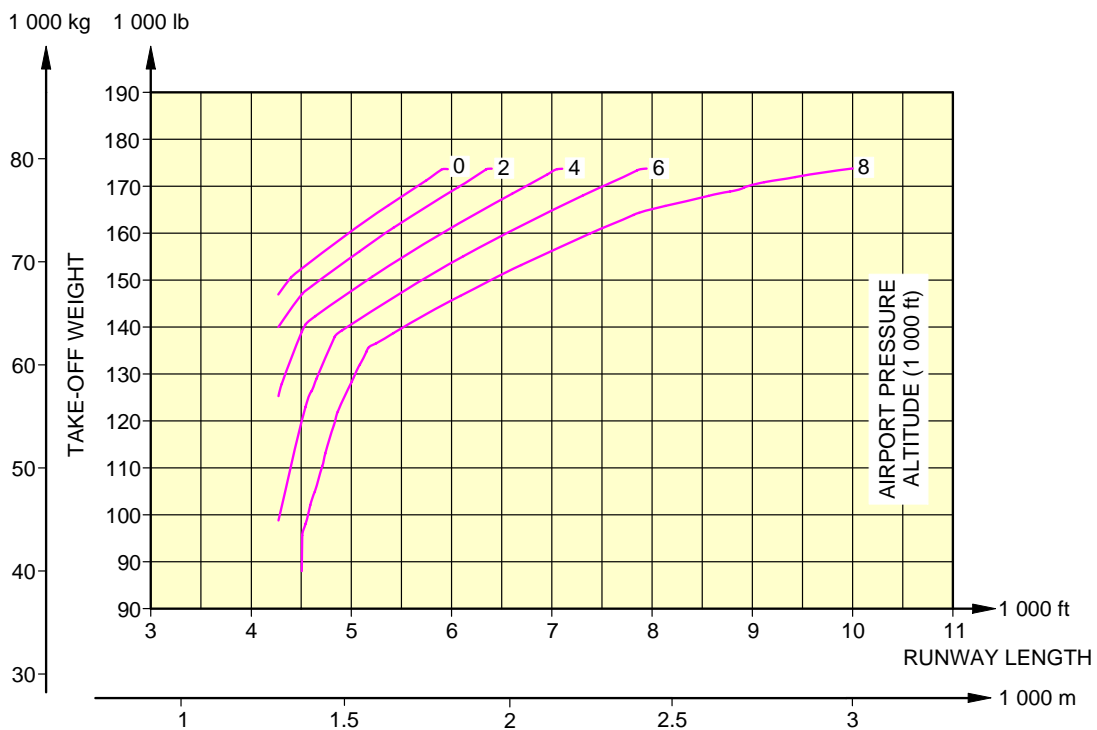


**NOTE:**  
 THESE CURVES ARE GIVEN FOR INFORMATION ONLY  
 THE APPROVED VALUES ARE STATED IN THE "OPERATING  
 MANUALS" SPECIFIC TO THE AIRLINE OPERATING THE AIRCRAFT.

N\_AC\_030301\_1\_0090101\_01\_00

Take-Off Weight Limitation - ISA Conditions  
 LEAP-1A Series Engine  
 FIGURE-3-3-1-991-009-A01

**\*\*ON A/C A320neo**



**NOTE:**  
 THESE CURVES ARE GIVEN FOR INFORMATION ONLY.  
 THE APPROVED VALUES ARE STATED IN THE "OPERATING  
 MANUALS" SPECIFIC TO THE AIRLINE OPERATING THE AIRCRAFT.

N\_AC\_030301\_1\_0130101\_01\_00

Take-Off Weight Limitation - ISA Conditions  
 PW Engines  
 FIGURE-3-3-1-991-013-A01

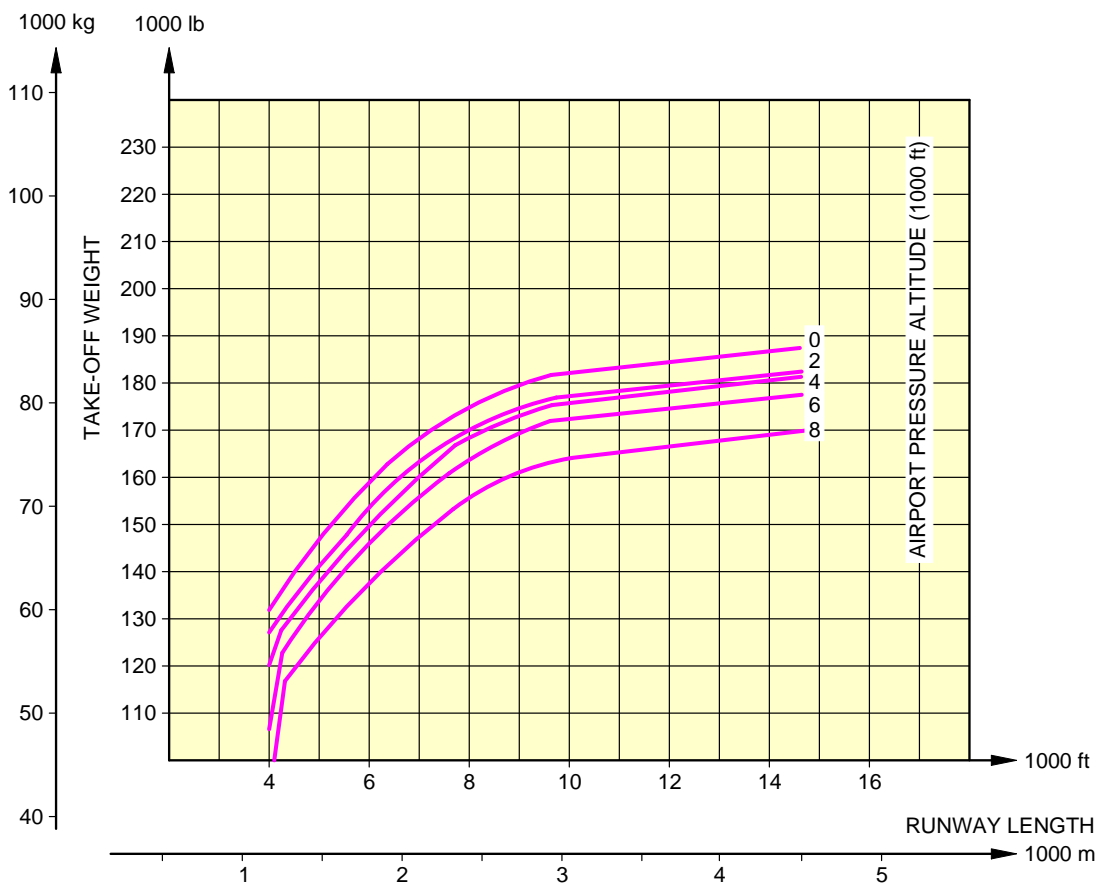
**3-3-2 Take-off Weight Limitation - ISA +15°C (+59°F) Conditions****\*\*ON A/C A320-200 A320neo**Take-Off Weight Limitation - ISA +15°C (+27°F) Conditions

1. This section gives the take-off weight limitation at ISA +15°C (+27°F) conditions.



**\*\*ON A/C A320-200**

**NOTE:** THESE CURVES ARE GIVEN FOR INFORMATION ONLY  
THE APPROVED VALUES ARE STATED IN THE "OPERATING  
MANUALS" SPECIFIC TO THE AIRLINE OPERATING THE AIRCRAFT.

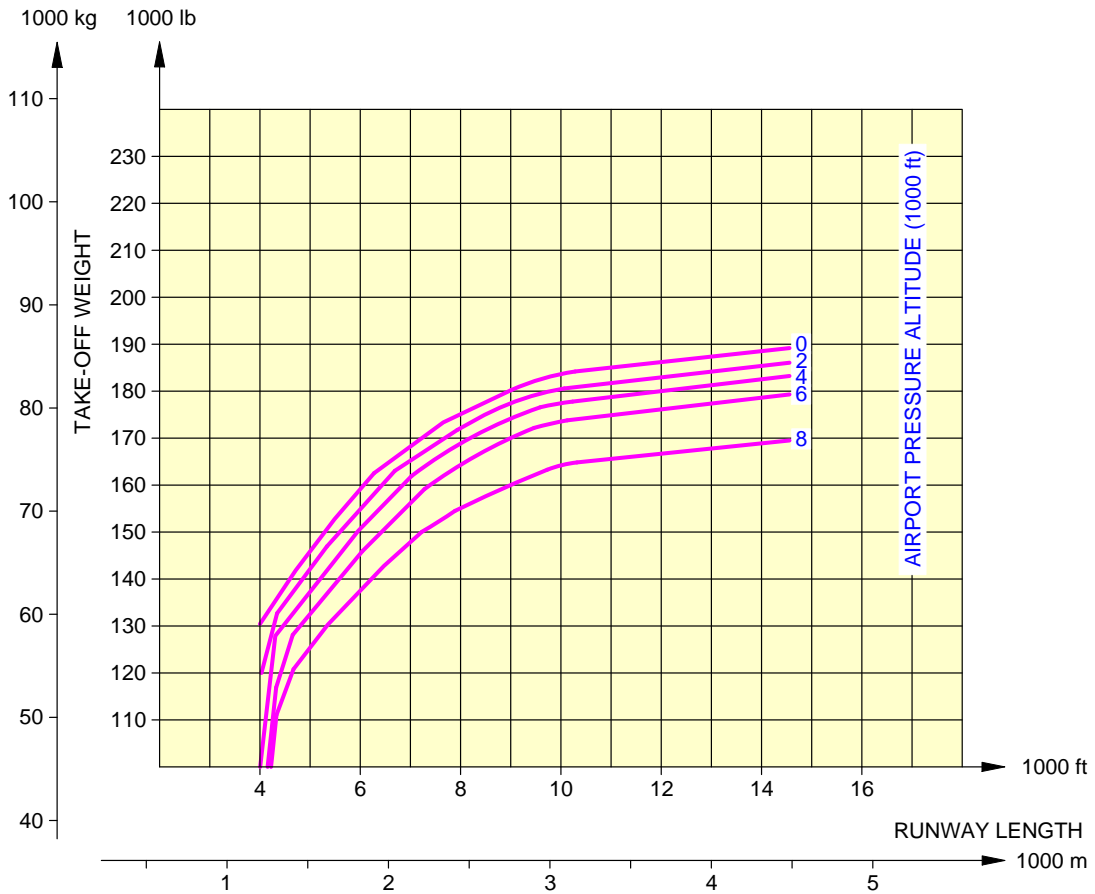


N\_AC\_030302\_1\_0050101\_01\_01

Take-Off Weight Limitation - ISA +15°C (+27°F) Conditions  
CFM56 Series Engine  
FIGURE-3-3-2-991-005-A01

**\*\*ON A/C A320-200**

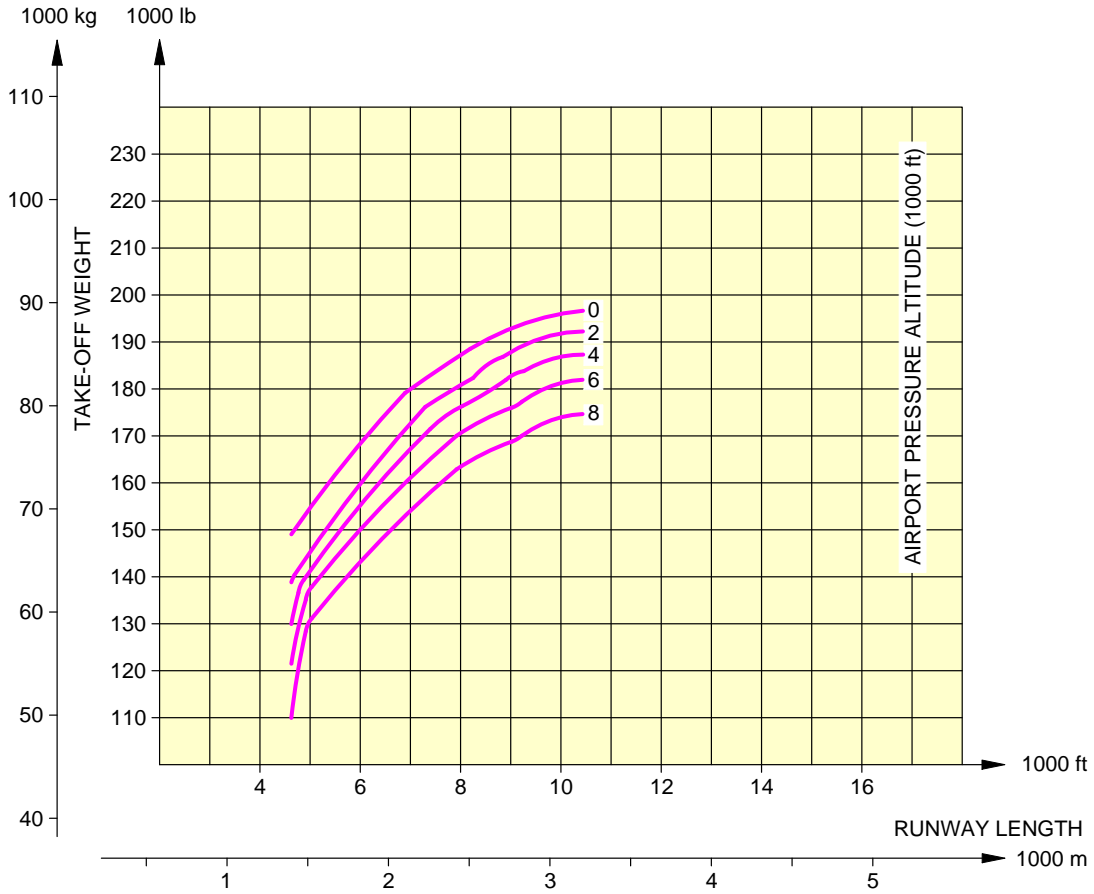
**NOTE:** THESE CURVES ARE GIVEN FOR INFORMATION ONLY  
THE APPROVED VALUES ARE STATED IN THE "OPERATING  
MANUALS" SPECIFIC TO THE AIRLINE OPERATING THE AIRCRAFT.



N\_AC\_030302\_1\_0060101\_01\_00

Take-Off Weight Limitation - ISA +15°C (+27°F) Conditions  
IAE V2500 Series Engine  
FIGURE-3-3-2-991-006-A01

**\*\*ON A/C A320neo**

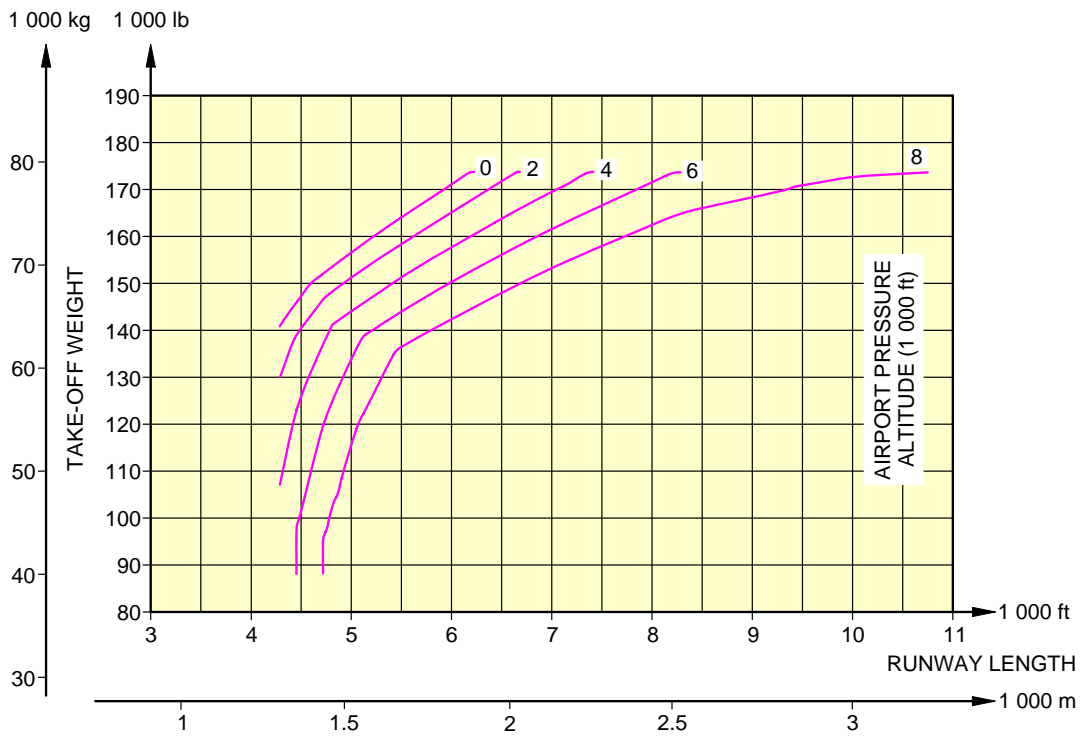


**NOTE:**  
 THESE CURVES ARE GIVEN FOR INFORMATION ONLY  
 THE APPROVED VALUES ARE STATED IN THE "OPERATING  
 MANUALS" SPECIFIC TO THE AIRLINE OPERATING THE AIRCRAFT.

N\_AC\_030302\_1\_0090101\_01\_00

Take-Off Weight Limitation - ISA +15°C (+27°F) Conditions  
 LEAP-1A Series Engine  
 FIGURE-3-3-2-991-009-A01

**\*\*ON A/C A320neo**



**NOTE:**  
 THESE CURVES ARE GIVEN FOR INFORMATION ONLY.  
 THE APPROVED VALUES ARE STATED IN THE "OPERATING  
 MANUALS" SPECIFIC TO THE AIRLINE OPERATING THE AIRCRAFT.

N\_AC\_030302\_1\_0120101\_01\_00

Take-Off Weight Limitation - ISA +15°C (+27°F) Conditions  
 PW Engines  
 FIGURE-3-3-2-991-012-A01

### 3-3-3 Aerodrome Reference Code

#### **\*\*ON A/C A320-200 A320neo**

#### Aerodrome Reference Code

1. For A320-200:
  - If the aircraft take-off weight is less than or equal to 73 500 kg (162 040 lb), the aircraft is classified as code 3C as per ICAO Aerodrome Reference Code.
  - If the aircraft take-off weight is more than 73 500 kg (162 040 lb), the aircraft is classified as code 4C as per ICAO Aerodrome Reference Code.
  
2. A320neo is classified as code 3C as per ICAO Aerodrome Reference Code.

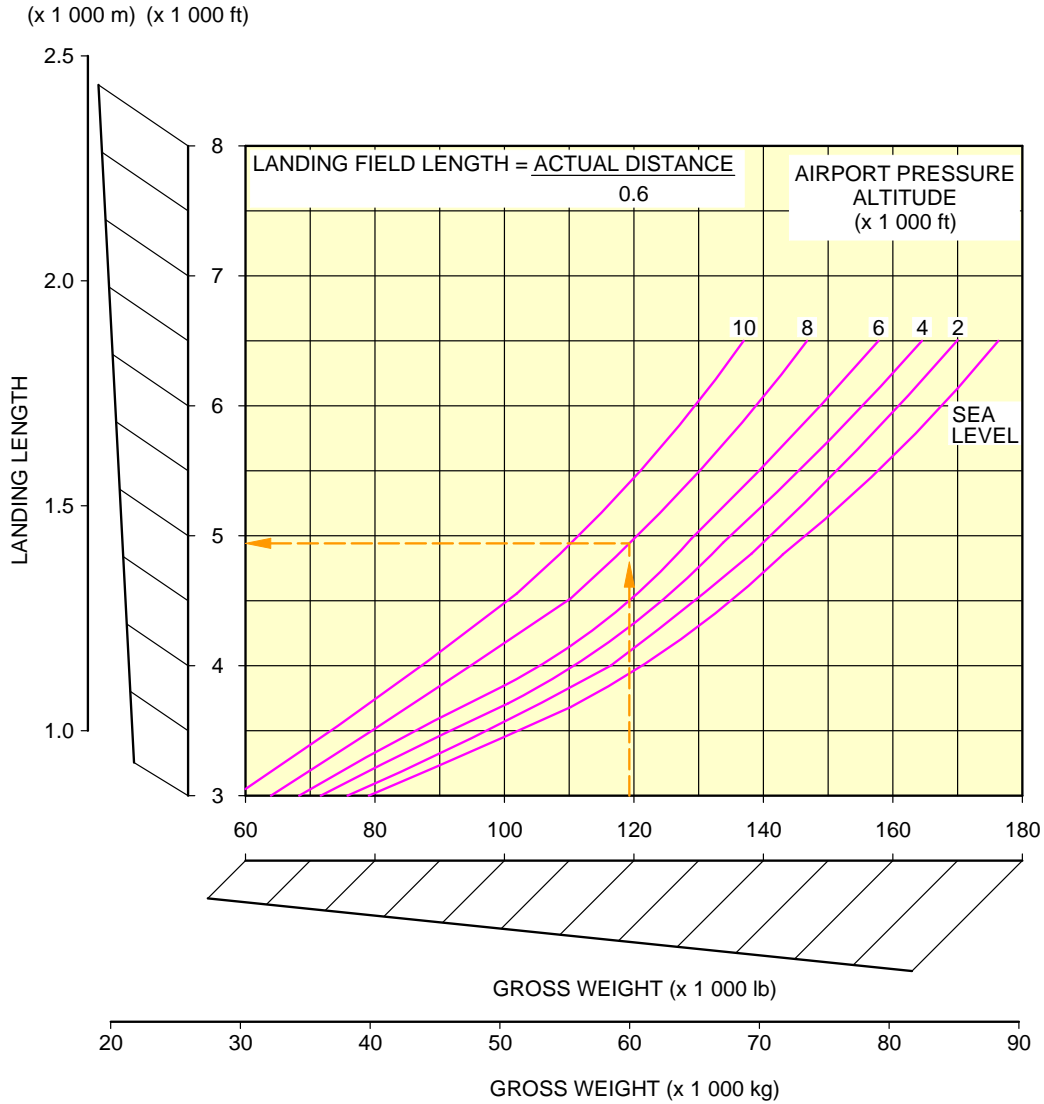
### **3-4-1 Landing Field Length - ISA Conditions**

**\*\*ON A/C A320-200 A320neo**

Landing Field Length - ISA Conditions

1. This section provides the landing field length.

**\*\*ON A/C A320-200**

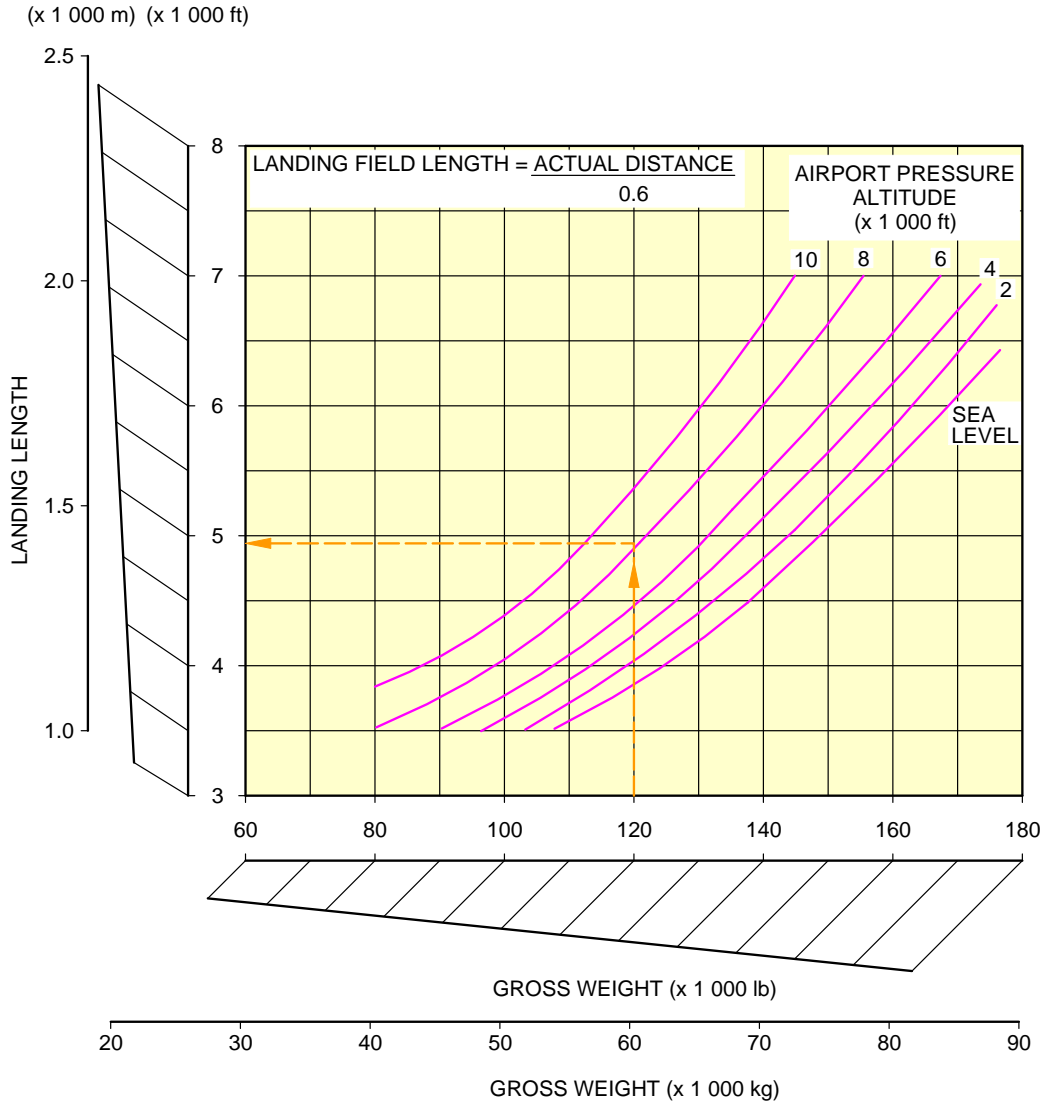


**NOTE:**  
 THESE CURVES ARE GIVEN FOR INFORMATION ONLY.  
 THE APPROVED VALUES ARE STATED IN THE "OPERATING  
 MANUALS" SPECIFIC TO THE AIRLINE OPERATING THE AIRCRAFT.

N\_AC\_030401\_1\_0050101\_01\_01

Landing Field Length - ISA Conditions  
 CFM56 Series Engine  
 FIGURE-3-4-1-991-005-A01

**\*\*ON A/C A320-200**



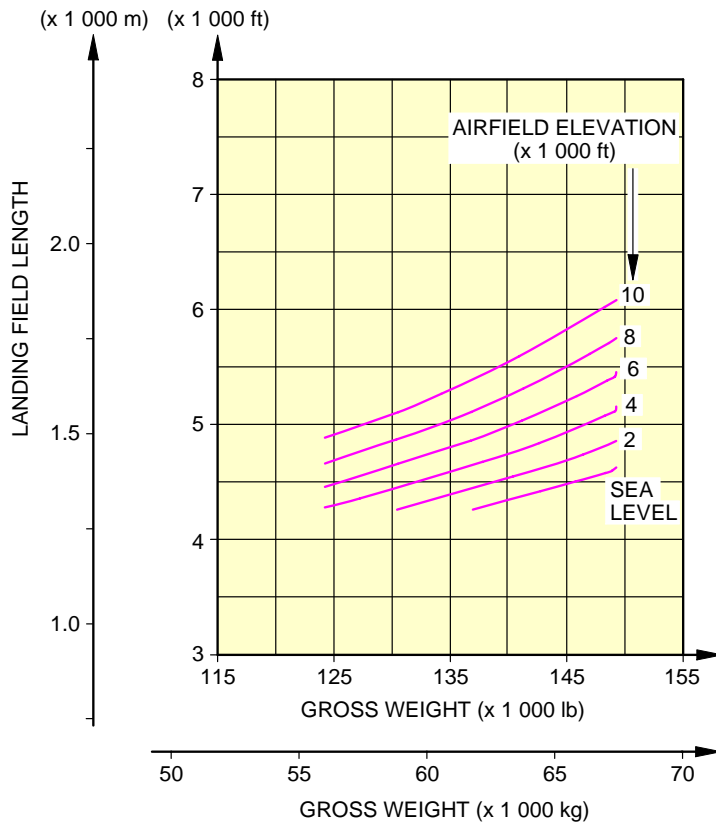
**NOTE:**  
THESE CURVES ARE GIVEN FOR INFORMATION ONLY.  
THE APPROVED VALUES ARE STATED IN THE "OPERATING  
MANUALS" SPECIFIC TO THE AIRLINE OPERATING THE AIRCRAFT.

N\_AC\_030401\_1\_0060101\_01\_01

Landing Field Length - ISA Conditions  
IAE V2500 Series Engine  
FIGURE-3-4-1-991-006-A01



**\*\*ON A/C A320neo**

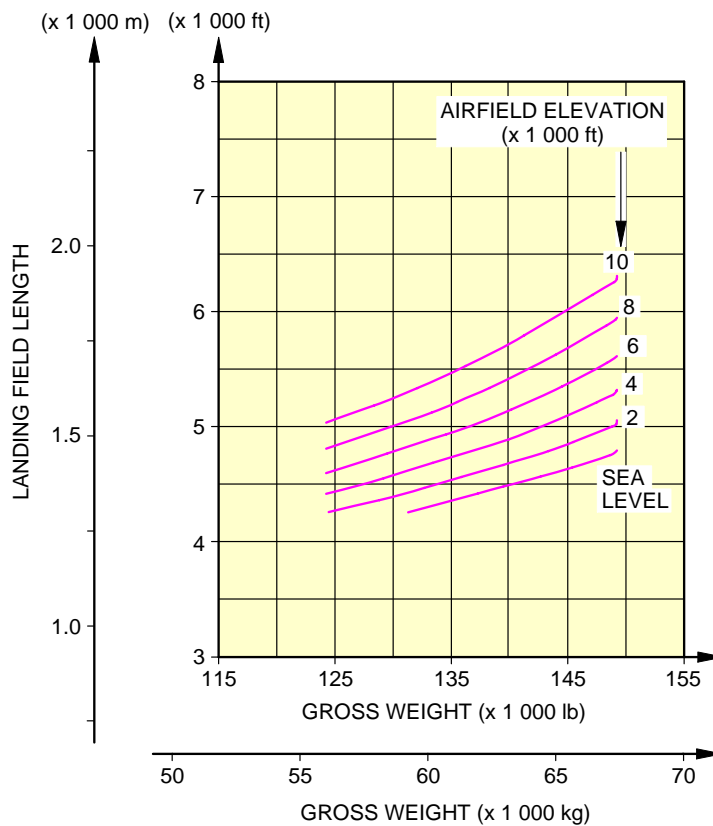


**NOTE:**  
 THESE CURVES ARE GIVEN FOR INFORMATION ONLY.  
 THE APPROVED VALUES ARE STATED IN THE "OPERATING  
 MANUALS" SPECIFIC TO THE AIRLINE OPERATING THE AIRCRAFT.

N\_AC\_030401\_1\_0110101\_01\_00

Landing Field Length - ISA Conditions  
 Leap Engines  
 FIGURE-3-4-1-991-011-A01

**\*\*ON A/C A320neo**



**NOTE:**  
 THESE CURVES ARE GIVEN FOR INFORMATION ONLY.  
 THE APPROVED VALUES ARE STATED IN THE "OPERATING  
 MANUALS" SPECIFIC TO THE AIRLINE OPERATING THE AIRCRAFT.

N\_AC\_030401\_1\_0120101\_01\_00

Landing Field Length - ISA Conditions  
 PW Engines  
 FIGURE-3-4-1-991-012-A01

**3-5-0 Final Approach Speed****\*\*ON A/C A320-200 A320neo**Final Approach Speed

1. This section provides the final approach speed. It is defined as the indicated airspeed at threshold in the landing configuration, at the certificated maximum flap setting and Maximum Landing Weight (MLW), in standard atmospheric conditions. The approach speed is used to classify the aircraft into an Aircraft Approach Category, a grouping of aircraft based on the indicated airspeed at threshold.

**\*\*ON A/C A320-200**

2. The final approach speed is 136 kt at a MLW of 66 000 kg (145 505 lb) and classifies the aircraft into the Aircraft Approach Category C.

NOTE : This value is given for information only.

**\*\*ON A/C A320neo**

3. The final approach speed is 131.5 kt at a MLW of 67 400 kg (148 592 lb) and classifies the aircraft into the Aircraft Approach Category C.

NOTE : This value is given for information only.

**GROUND MANEUVERING****4-1-0 General Information****\*\*ON A/C A320-200 A320neo**General Information

1. This section provides aircraft turning capability and maneuvering characteristics.

For ease of presentation, this data has been determined from the theoretical limits imposed by the geometry of the aircraft, and where noted, provides for a normal allowance for tire slippage. As such, it reflects the turning capability of the aircraft in favorable operating circumstances. This data should only be used as a guideline for the method of determination of such parameters and for the maneuvering characteristics of this aircraft type.

In ground operating mode, varying airline practices may demand that more conservative turning procedures be adopted to avoid excessive tire wear and reduce possible maintenance problems. Airline operating techniques will vary in the level of performance, over a wide range of operating circumstances throughout the world. Variations from standard aircraft operating patterns may be necessary to satisfy physical constraints within the maneuvering area, such as adverse grades, limited area or a high risk of jet blast damage. For these reasons, ground maneuvering requirements should be coordinated with the airlines in question prior to layout planning.

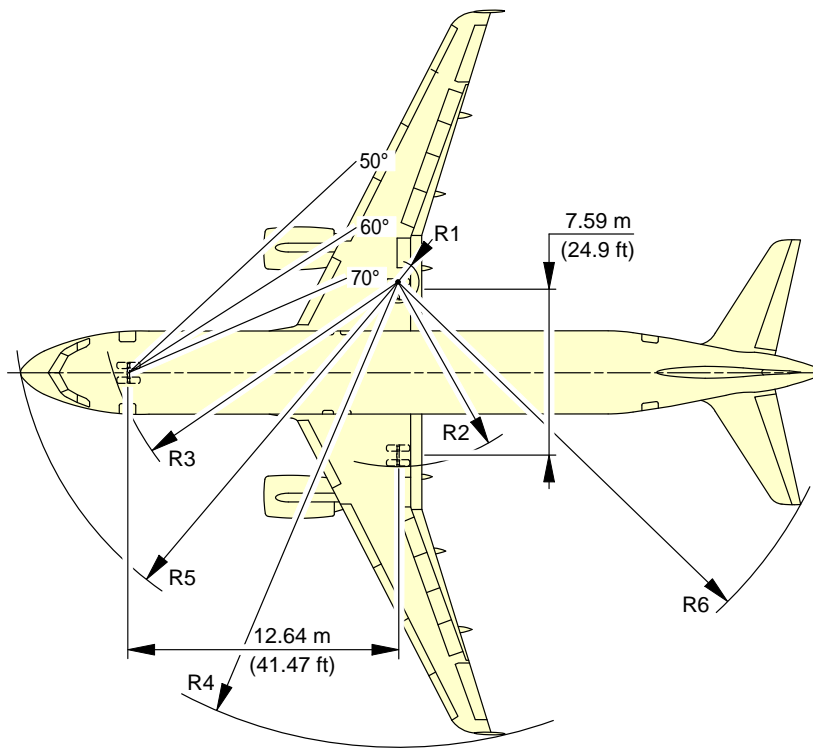
## 4-2-0 Turning Radii

**\*\*ON A/C A320-200 A320neo**

### Turning Radii

1. This section provides the turning radii.

**\*\*ON A/C A320-200 A320neo**



**NOTE:** FOR STEERING DIMENSION TABLE SEE SHEET 2.

TURN TYPE:

1. ASYMMETRIC THRUST DIFFERENTIAL BRAKING (PIVOTTING ON ONE MAIN GEAR).
2. SYMMETRIC THRUST NO BRAKING.

N\_AC\_040200\_1\_0050101\_01\_01

Turning Radii, No Slip Angle  
Dual Landing Gear (Sheet 1)  
FIGURE-4-2-0-991-005-A01

**\*\*ON A/C A320-200 A320neo**

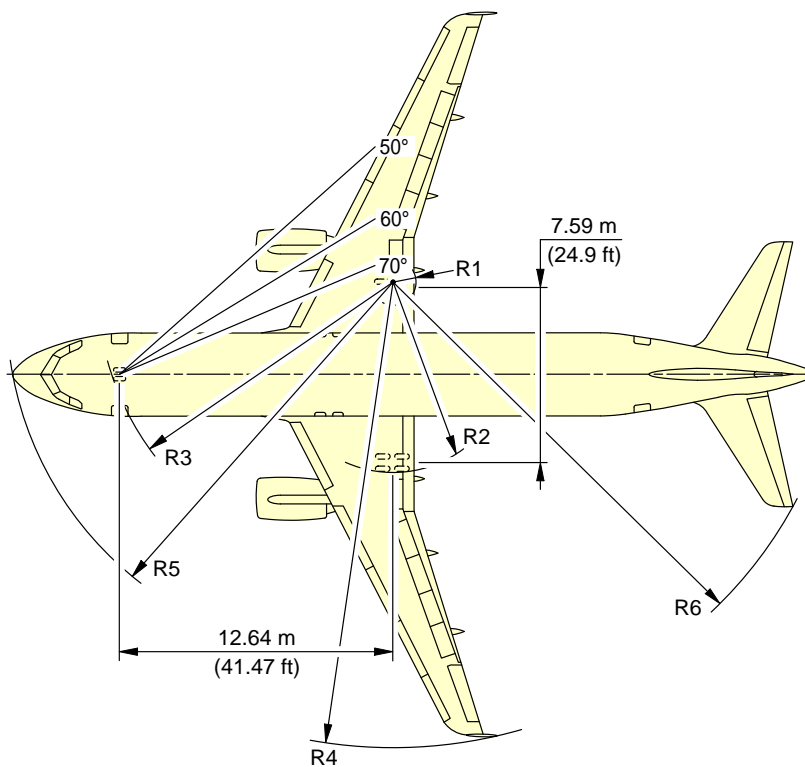
TYPE OF TURN	MAXIMUM RAMP WEIGHT		R1 RMLG		R2 LMLG		R3 NLG		R4 - WING				R5 NOSE		R6 THS	
	STEERING ANGLE (deg)	EFFECTIVE STEERING ANGLE (deg)	m	ft	m	ft	m	ft	WINGTIP FENCE	SHARKLET	m	ft	m	ft	m	ft
2	20	19.5	32.6	107	40.2	132	38.2	125	52.9	174	53.8	176	39.8	131	46.0	151
2	25	24.4	24.8	81	32.3	106	30.9	101	45.1	148	46.0	151	33.0	108	39.0	128
2	30	29.3	19.4	64	27.0	89	26.2	86	39.8	131	40.7	133	28.7	94	34.4	113
2	35	34.2	15.5	51	23.1	76	22.8	75	35.9	118	36.8	121	25.7	84	31.3	103
2	40	39.0	12.5	41	20.1	66	20.4	67	32.9	108	33.8	111	23.6	77	28.9	95
2	45	43.8	10.1	33	17.6	58	18.5	61	30.5	100	31.4	103	22.1	72	27.1	89
2	50	48.6	8.0	26	15.6	51	17.1	56	28.5	94	29.4	96	20.9	69	25.7	84
2	55	53.3	6.3	21	13.9	46	16.0	52	26.8	88	27.7	91	20.1	66	24.6	81
2	60	57.9	4.8	16	12.4	41	15.1	50	25.4	83	26.2	86	19.4	64	23.7	78
2	65	62.4	3.5	12	11.1	36	14.4	47	24.1	79	24.9	82	18.9	62	22.9	75
2	70	66.8	2.4	8	9.9	33	13.9	46	22.9	75	23.7	78	18.5	61	22.3	73
2	75 (MAX)	70.2	1.5	5	9.0	30	13.6	44	22.0	72	22.9	75	18.3	60	21.8	72
1	50	48.8	8.0	26	15.5	51	17.0	56	28.4	93	29.3	96	20.9	68	25.6	84
1	55	53.6	6.2	20	13.8	45	15.9	52	26.7	88	27.6	90	20.0	66	24.5	80
1	60	58.4	4.7	15	12.3	40	15.0	49	25.2	83	26.0	85	19.3	63	23.6	77
1	65	63.1	3.3	11	10.9	36	14.3	47	23.9	78	24.7	81	18.8	62	22.8	75
1	70	67.8	2.1	7	9.6	32	13.8	45	22.6	74	23.5	77	18.4	61	22.1	73
1	75 (MAX)	71.9	1.1	4	8.6	28	13.4	44	21.6	71	22.5	74	18.2	60	21.6	71

**NOTE:** ABOVE 50°, AIRLINES MAY USE TYPE 1 OR TYPE 2 TURNS DEPENDING ON THE SITUATION.  
 TYPE 1 TURNS USE: ASYMMETRIC THRUST DURING THE WHOLE TURN; AND DIFFERENTIAL BRAKING TO INITIATE THE TURN ONLY.  
 TYPE 2 TURNS USE: SYMMETRIC THRUST DURING THE WHOLE TURN; AND NO DIFFERENTIAL BRAKING AT ALL. IT IS POSSIBLE TO GET LOWER VALUES THAN THOSE FROM TYPE 1 BY APPLYING DIFFERENTIAL BRAKING DURING THE WHOLE TURN.

N\_AC\_040200\_1\_0100101\_01\_00

Turning Radii, No Slip Angle  
 Dual Landing Gear (Sheet 2)  
 FIGURE-4-2-0-991-010-A01

**\*\*ON A/C A320-200**



**NOTE:** FOR STEERING DIMENSION TABLE SEE SHEET 2.

N\_AC\_040200\_1\_0060101\_01\_02

Turning Radii, No Slip Angle  
Bogie Landing Gear (Sheet 1)  
FIGURE-4-2-0-991-006-A01



**\*\*ON A/C A320-200**

STEERING ANGLE (deg)	R1		R2		R3		R4		R5		R6	
	m	ft	m	ft	m	ft	m	ft	m	ft	m	ft
30	17.55	58	26.23	86	25.64	84	39.1	128	28.16	92	33.96	111
35	13.71	45	22.39	73	22.40	73	35.28	116	25.29	83	30.86	101
40	10.72	35	19.40	64	20.02	66	32.32	106	23.25	76	28.56	94
45	8.3	27	16.98	56	18.24	60	29.92	98	21.76	71	26.81	88
50	6.27	21	14.95	49	16.86	55	27.90	92	20.65	68	25.42	83
55	4.51	15	13.19	43	15.79	52	26.17	86	19.80	65	24.29	80
60	2.96	10	11.64	38	14.95	49	24.64	81	19.16	63	23.36	77
65	1.55	5	10.23	34	14.31	47	23.26	78	18.67	61	22.58	74
70	0.26	1	8.94	29	13.81	45	21.99	72	18.3	60	21.91	72

N\_AC\_040200\_1\_0110101\_01\_00

Turning Radii, No Slip Angle  
Bogie Landing Gear (Sheet 2)  
FIGURE-4-2-0-991-011-A01

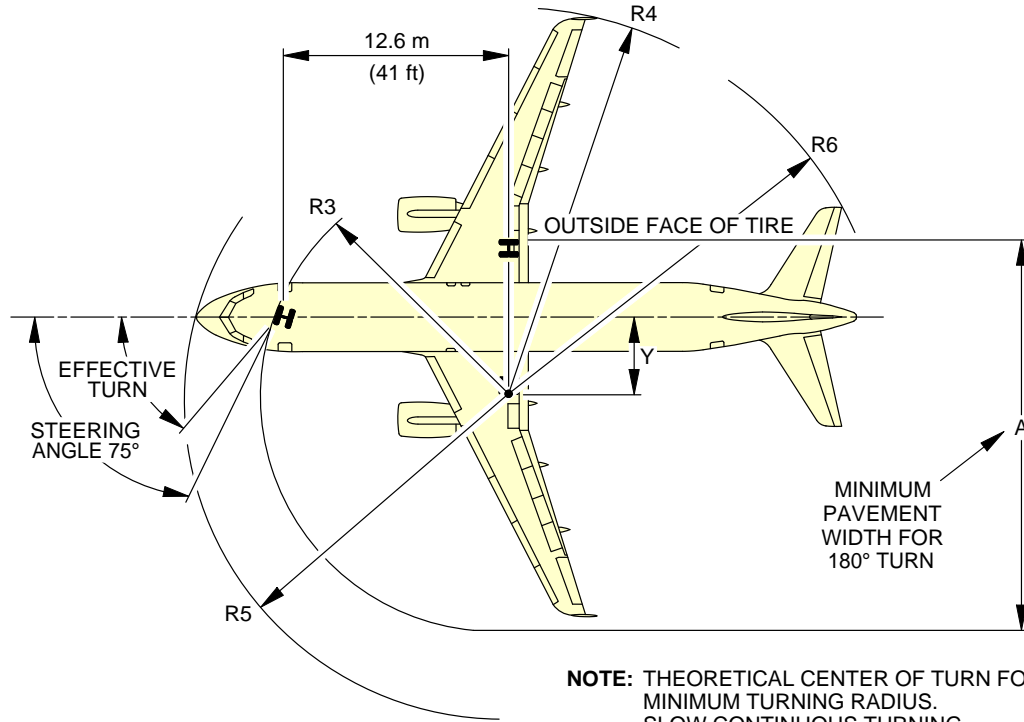
#### **4-3-0 Minimum Turning Radii**

**\*\*ON A/C A320-200 A320neo**

##### Minimum Turning Radii

1. This section provides the minimum turning radii.

**\*\*ON A/C A320-200 A320neo**



**NOTE:** THEORETICAL CENTER OF TURN FOR MINIMUM TURNING RADIUS. SLOW CONTINUOUS TURNING. APPROXIMATELY IDLE THRUST ON ALL ENGINES. NO DIFFERENTIAL BRAKING. NOSE GEAR RADII TRACK MEASURED FROM OUTSIDE FACE OF TIRE.

### DUAL LANDING GEAR

TYPE OF TURN	STEERING ANGLE (DEG)	EFFECTIVE STEERING ANGLE		Y	A	R3 NLG	R4 WING		R5 NOSE	R6 THS
							WING TIP FENCE	SHARKLET		
1	75 (MAX)	71.9°	m	4.1	22.3	13.4	21.6	22.5	18.2	21.6
			ft	14	73	44	71	74	60	71
2	75 (MAX)	70.2°	m	4.5	22.8	13.6	22.0	22.9	18.3	21.8
			ft	15	75	44	72	75	60	72

**NOTE:** IT IS POSSIBLE TO GET LOWER VALUES THAN THOSE FROM TYPE 1 BY APPLYING DIFFERENTIAL BRAKING DURING THE WHOLE TURN.

### BOGIE LANDING GEAR

STEERING ANGLE (DEG)	EFFECTIVE STEERING ANGLE		Y	A	R3 NLG	R4 WING	R5 NOSE	R6 THS
						WING TIP FENCE		
75 (MAX)	70.0°	m	4.6	22.8	13.8	22.0	18.3	21.9
		ft	15	75	45	72	60	72

N\_AC\_040300\_1\_0030101\_01\_01

Minimum Turning Radii  
FIGURE-4-3-0-991-003-A01

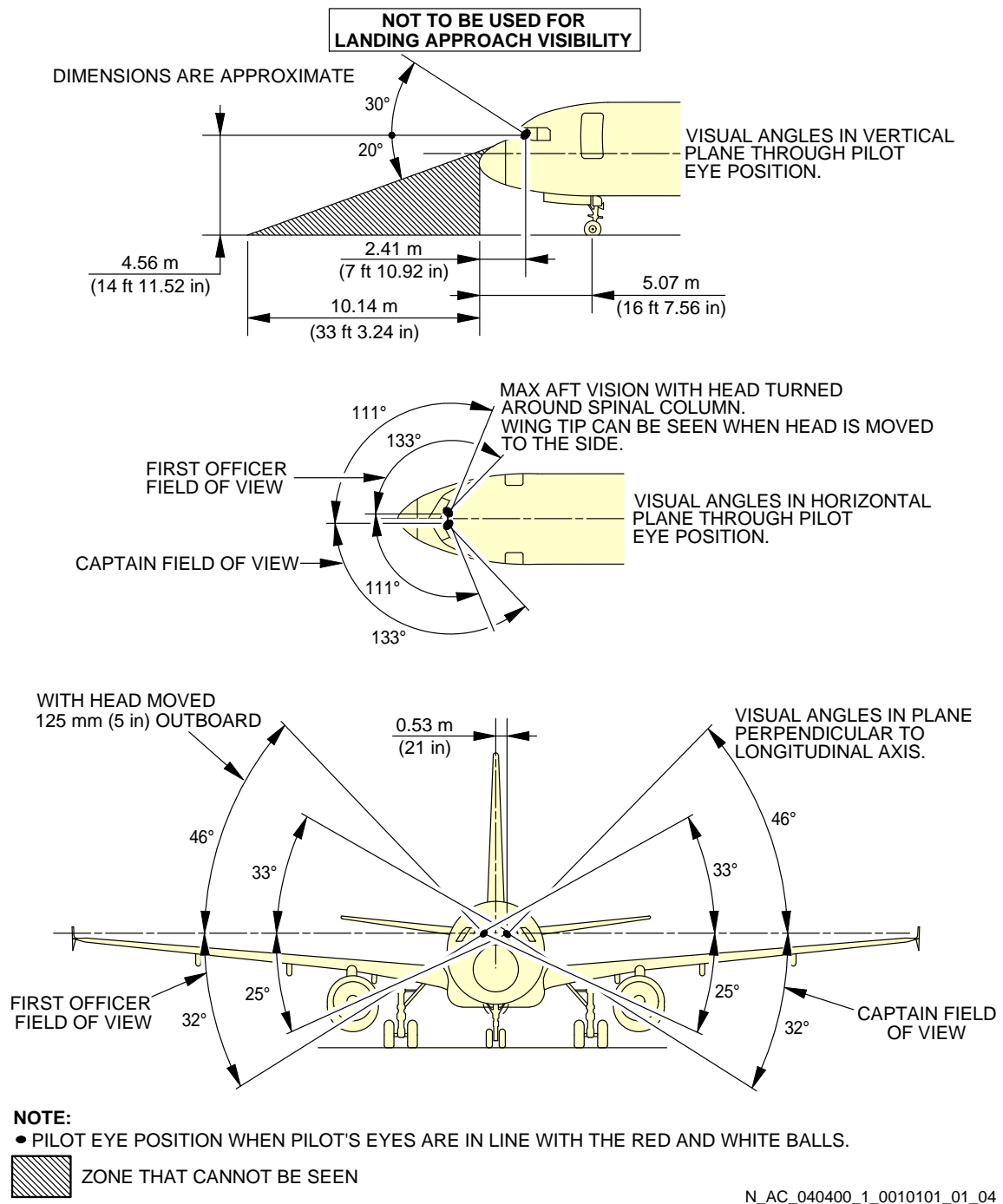
#### **4-4-0 Visibility from Cockpit in Static Position**

**\*\*ON A/C A320-200 A320neo**

##### Visibility from Cockpit in Static Position

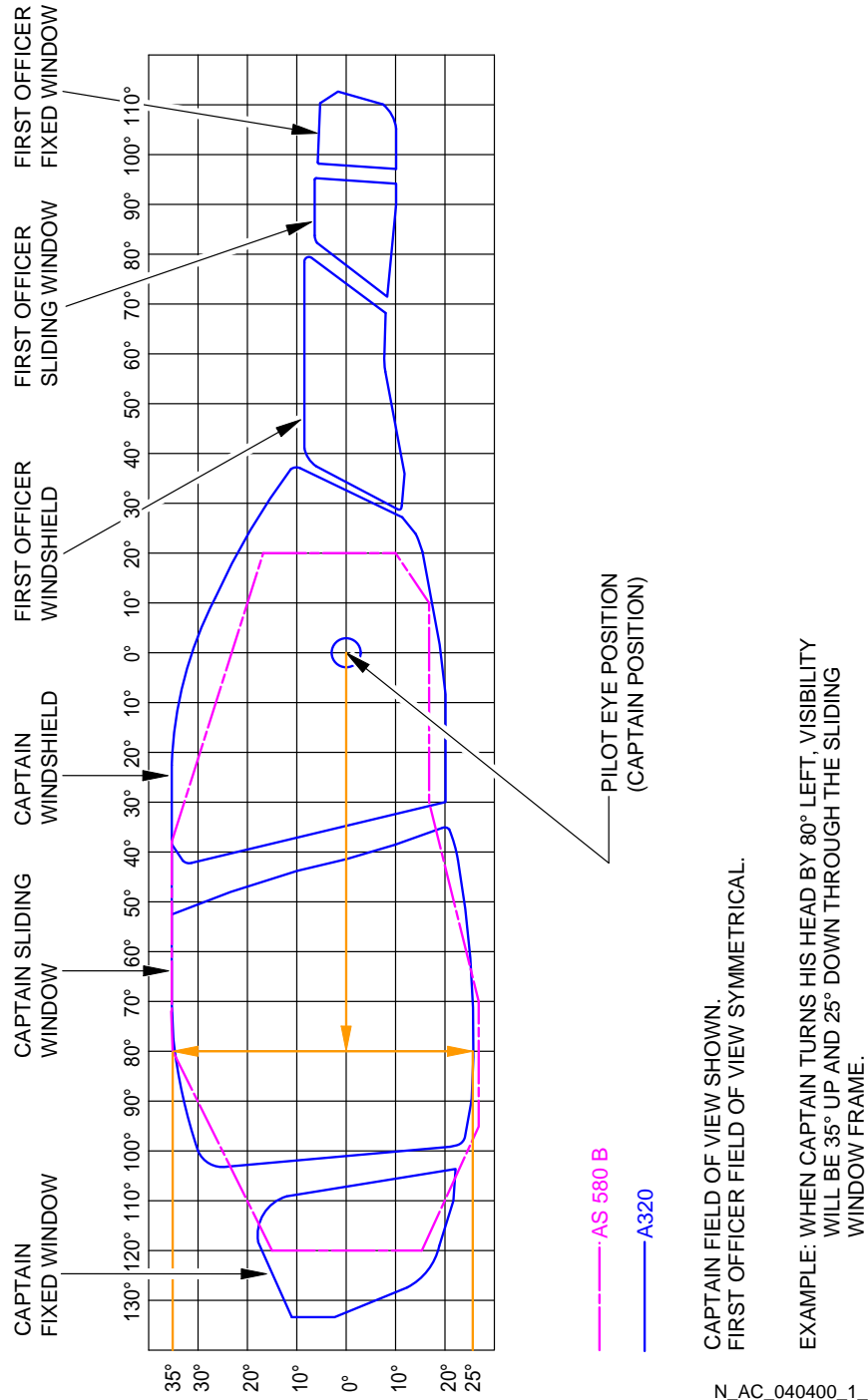
1. This section gives the visibility from cockpit in static position.

### \*\*ON A/C A320-200 A320neo



Visibility from Cockpit in Static Position  
FIGURE-4-4-0-991-001-A01

**\*\*ON A/C A320-200 A320neo**



N\_AC\_040400\_1\_0050101\_01\_00

Binocular Visibility Through Windows from Captain Eye Position  
FIGURE-4-4-0-991-005-A01



## 4-5-0 Runway and Taxiway Turn Paths

**\*\*ON A/C A320-200 A320neo**

Runway and Taxiway Turn Paths

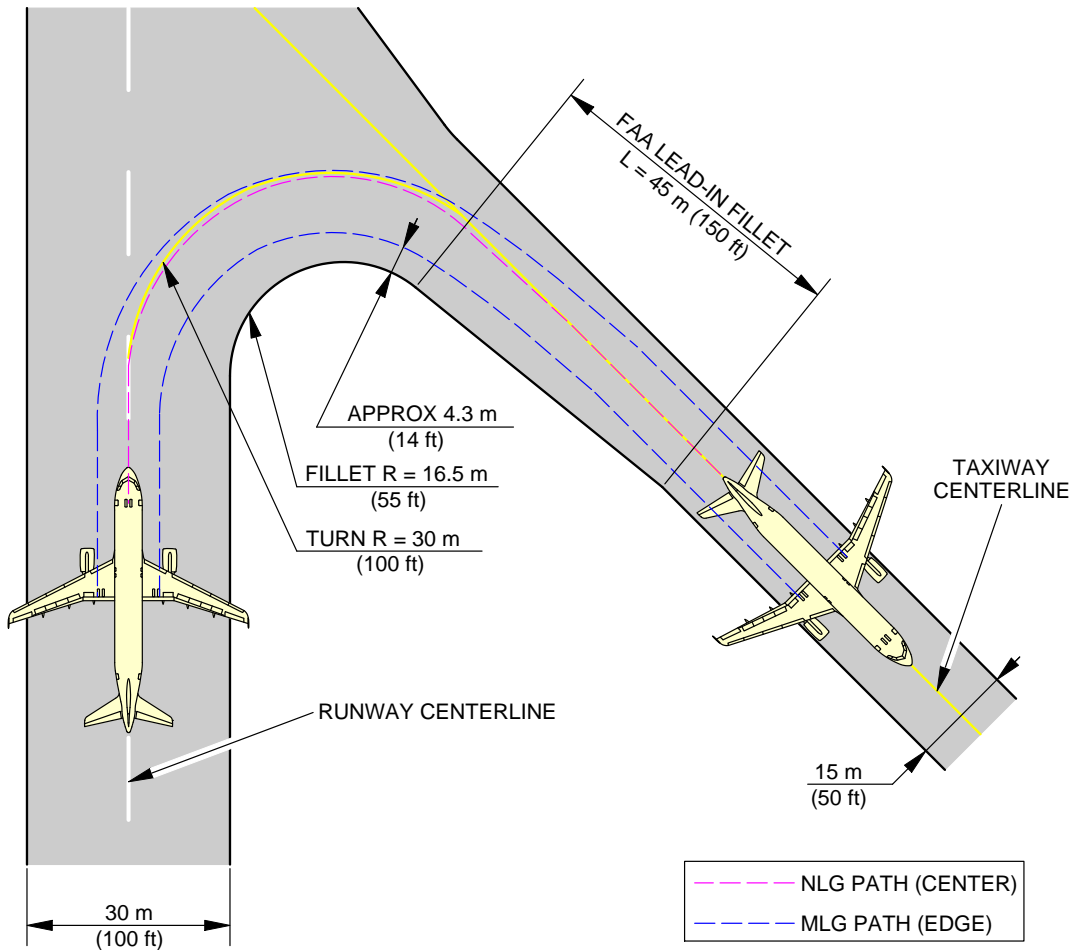
1. Runway and Taxiway Turn Paths.

**4-5-1 135° Turn - Runway to Taxiway****\*\*ON A/C A320-200 A320neo**135° Turn - Runway to Taxiway

1. This section gives the 135° turn - runway to taxiway.



**\*\*ON A/C A320-200 A320neo**

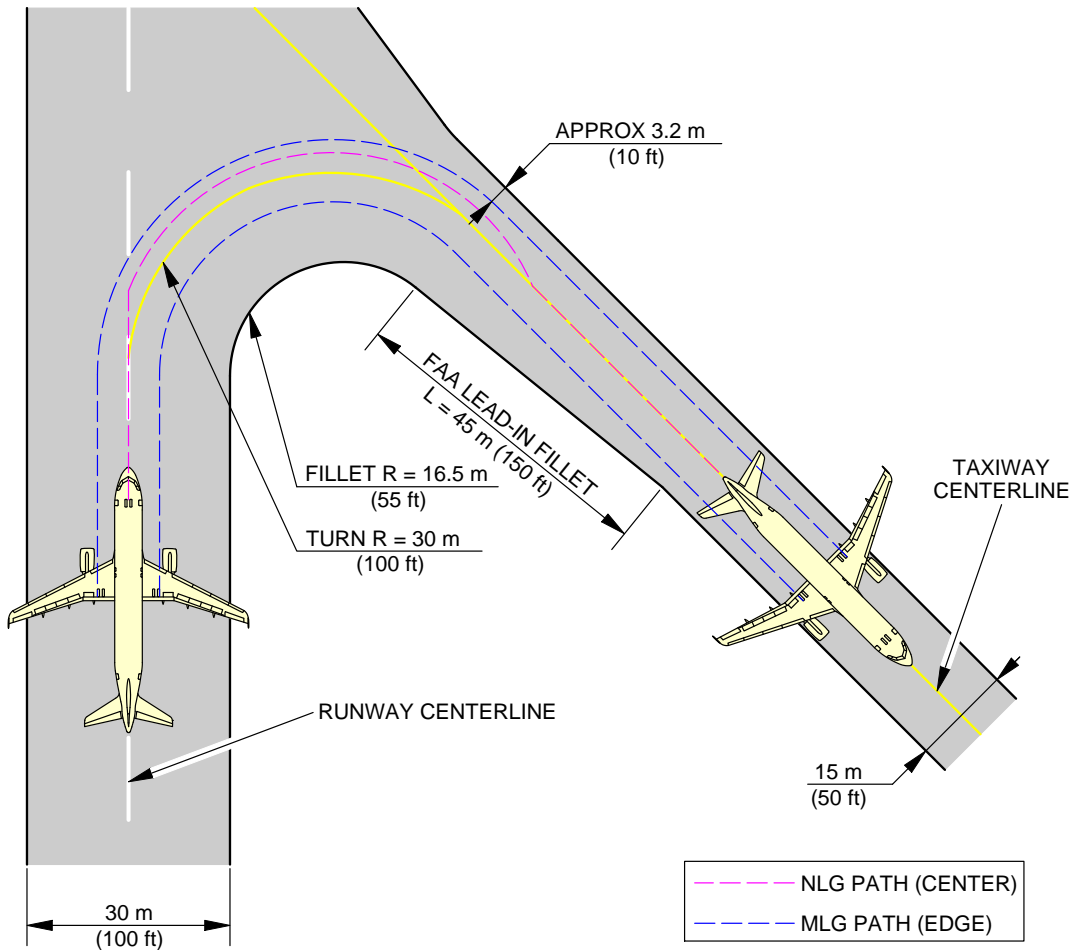


**NOTE:**  
FAA GROUP III FACILITIES.

N\_AC\_040501\_1\_0040101\_01\_02

135° Turn - Runway to Taxiway  
Cockpit Over Centerline Method  
FIGURE-4-5-1-991-004-A01

**\*\*ON A/C A320-200 A320neo**



**NOTE:**  
FAA GROUP III FACILITIES.

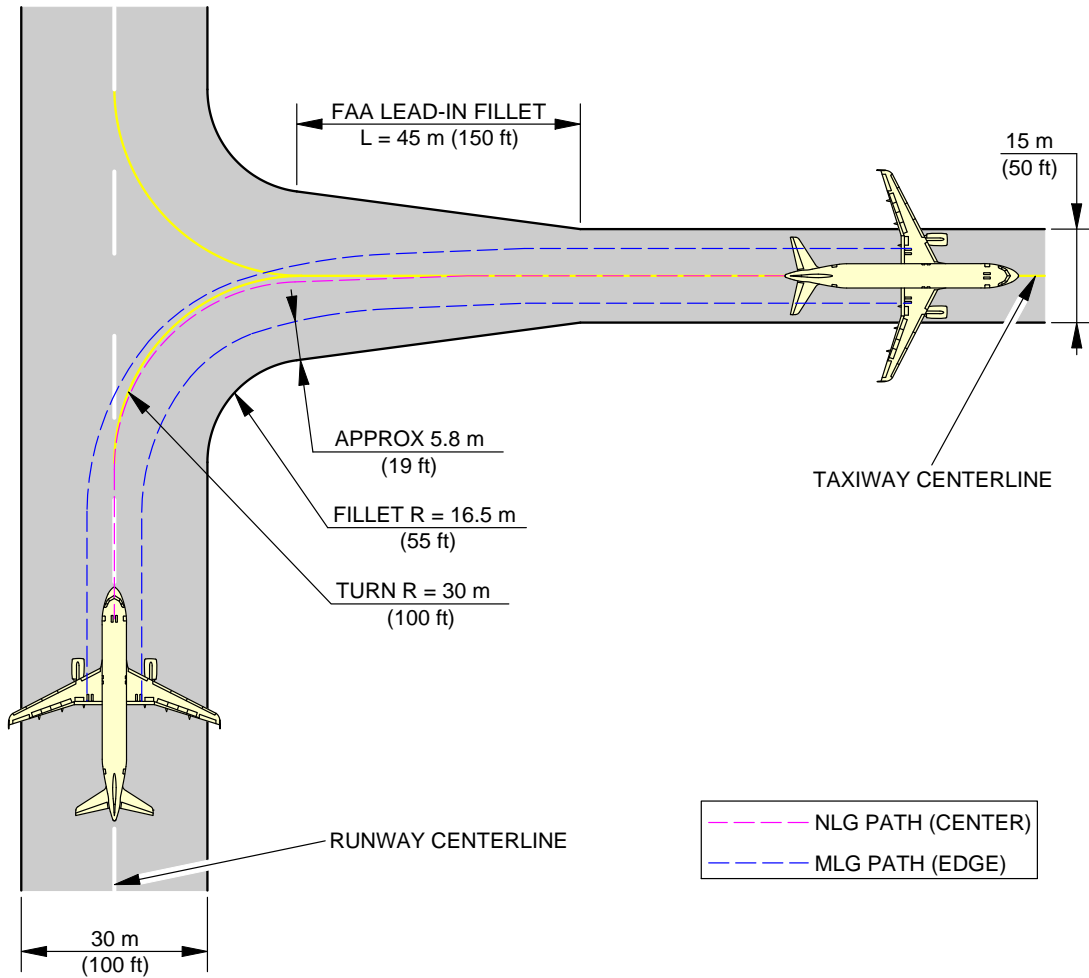
N\_AC\_040501\_1\_0120101\_01\_01

135° Turn - Runway to Taxiway  
Judgemental Oversteering Method  
FIGURE-4-5-1-991-012-A01

**4-5-2 90° Turn - Runway to Taxiway****\*\*ON A/C A320-200 A320neo**90° Turn - Runway to Taxiway

1. This section gives the 90° turn - runway to taxiway.

**\*\*ON A/C A320-200 A320neo**

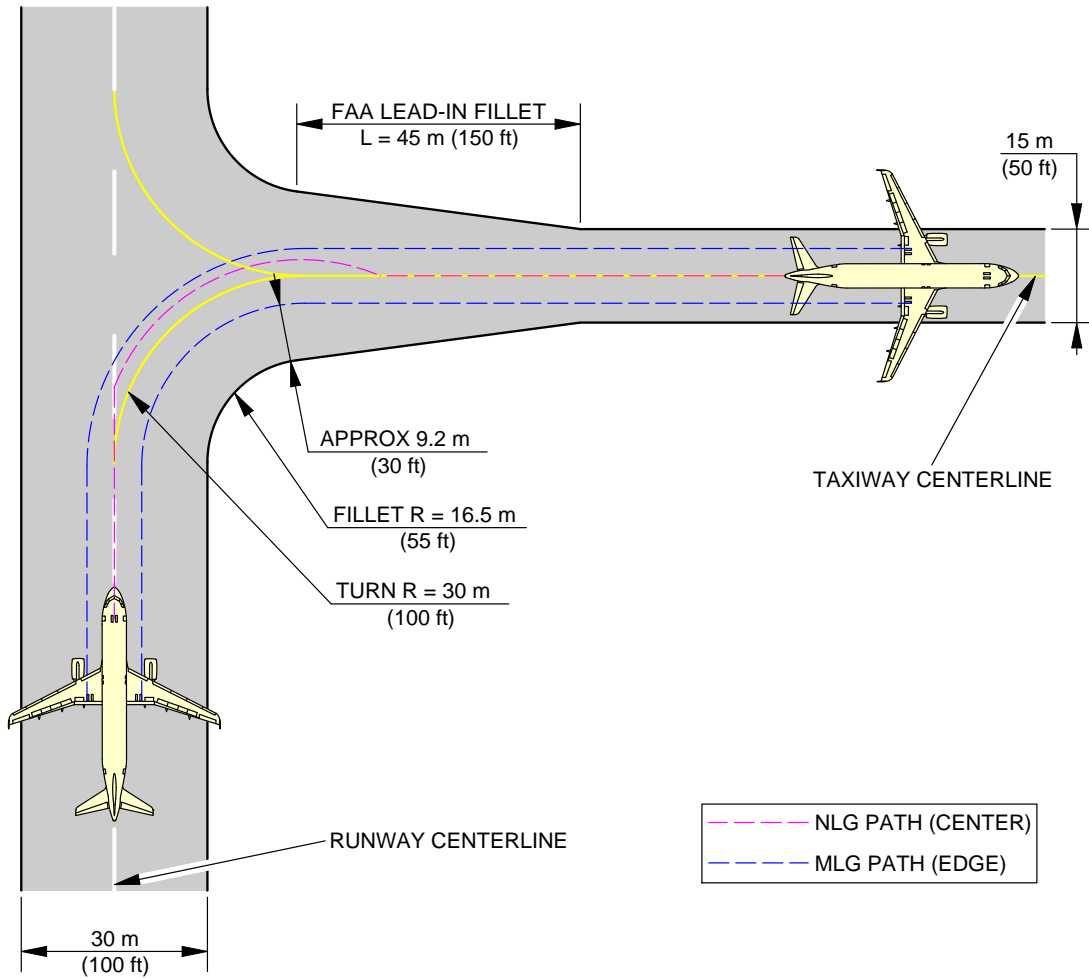


**NOTE:**  
FAA GROUP III FACILITIES.

N\_AC\_040502\_1\_0040101\_01\_02

90° Turn - Runway to Taxiway  
Cockpit Over Centerline Method  
FIGURE-4-5-2-991-004-A01

**\*\*ON A/C A320-200 A320neo**



**NOTE:**  
FAA GROUP III FACILITIES.

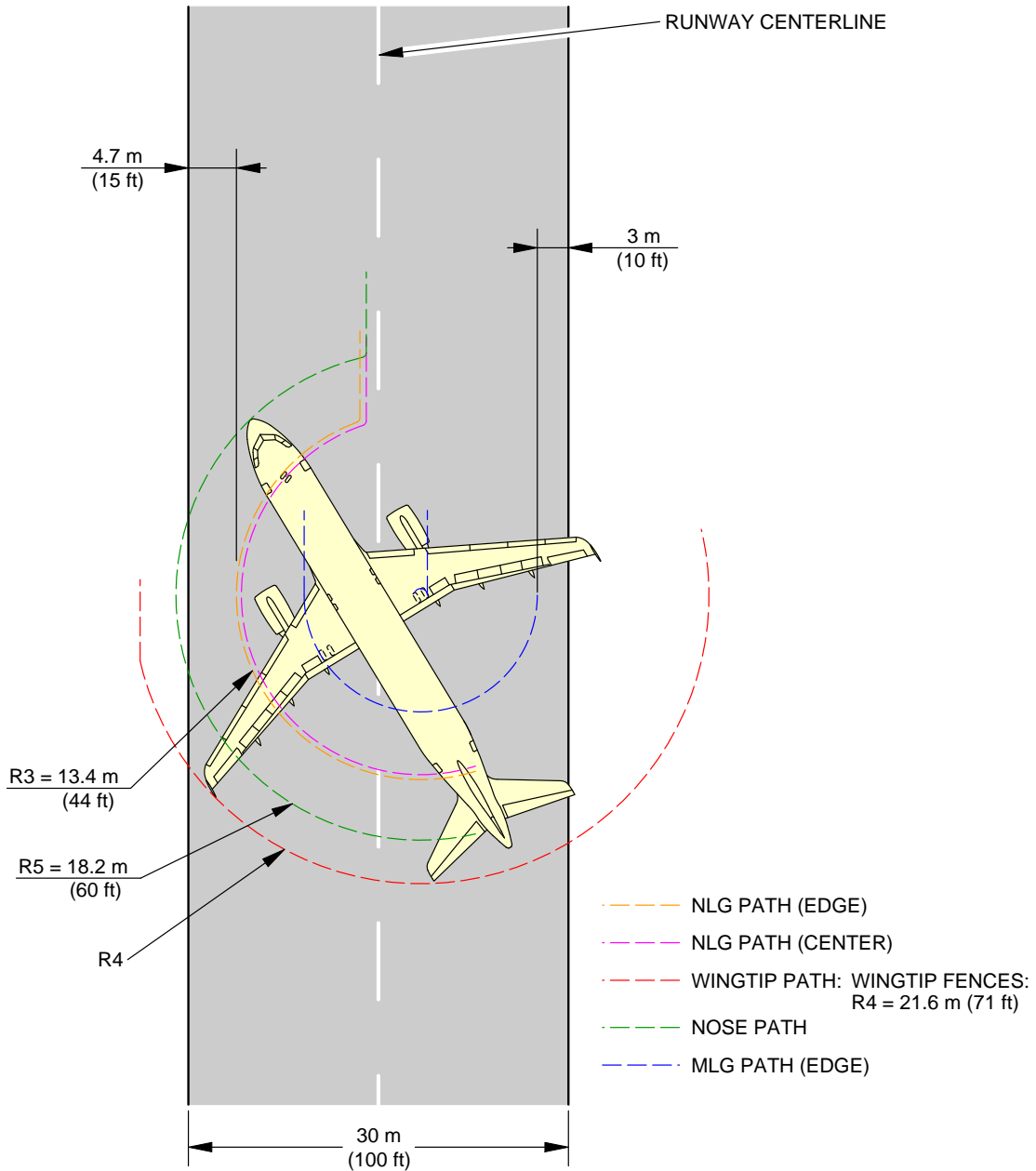
N\_AC\_040502\_1\_0090101\_01\_01

90° Turn - Runway to Taxiway  
Judgemental Oversteering Method  
FIGURE-4-5-2-991-009-A01

**4-5-3 180° Turn on a Runway****\*\*ON A/C A320-200 A320neo**180° Turn on a Runway

1. This section provides the 180° turn on a runway.

**\*\*ON A/C A320-200**

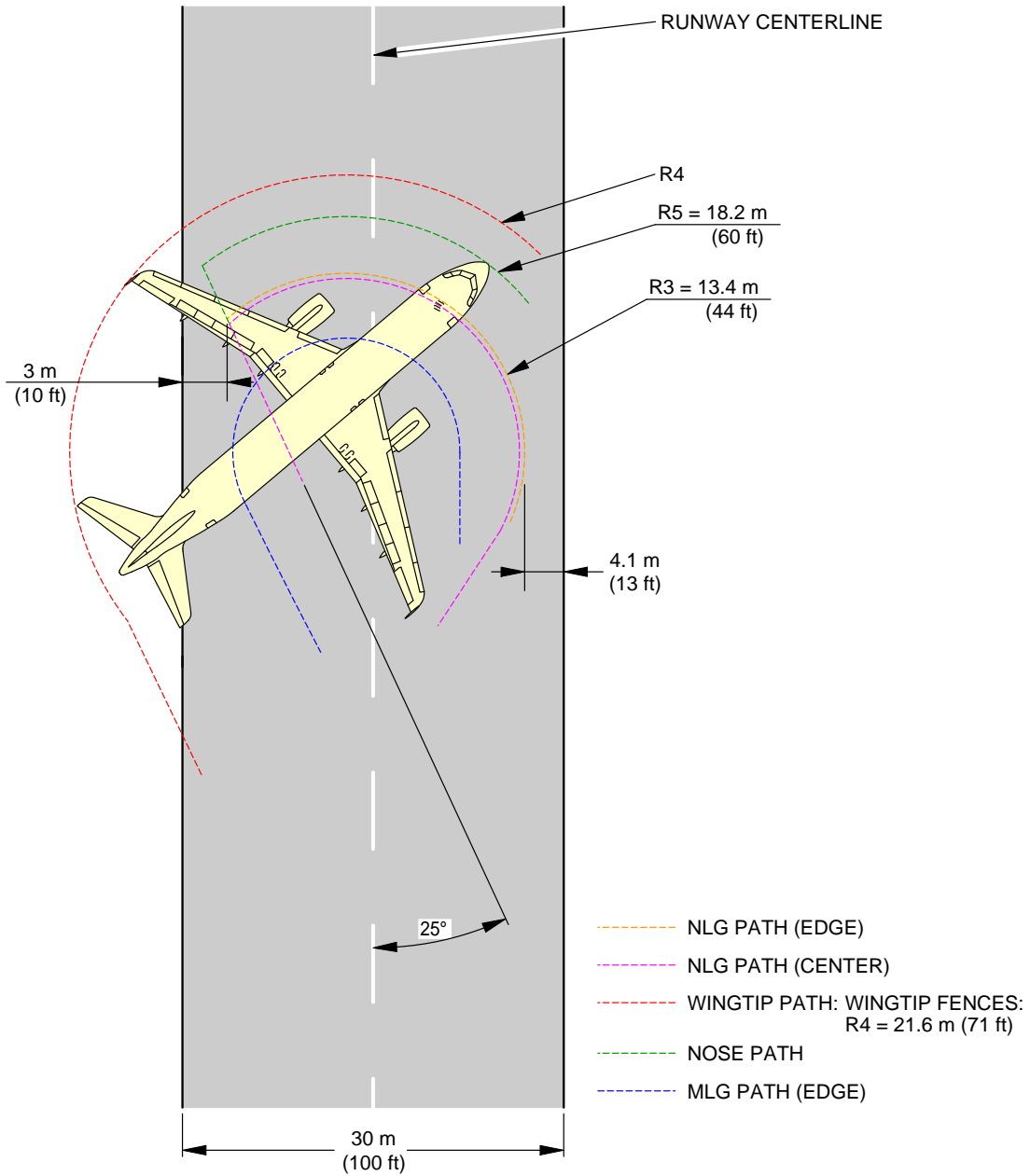


**NOTE:**  
TYPE 1 VALUES.

N\_AC\_040503\_1\_0060101\_01\_02

180° Turn on a Runway  
Edge of Runway Method (Sheet 1 of 2)  
FIGURE-4-5-3-991-006-A01

**\*\*ON A/C A320-200**



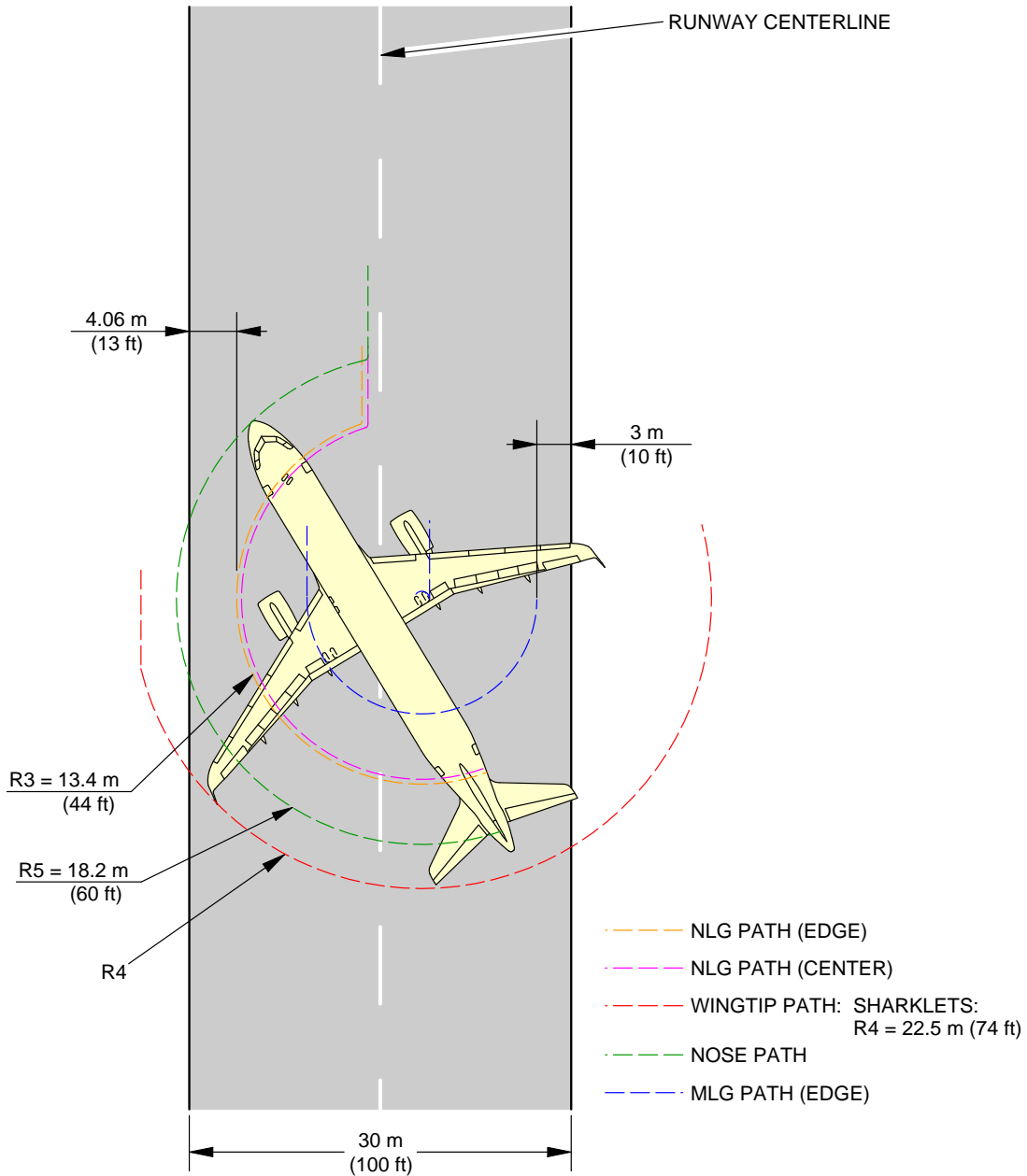
**NOTE:**  
TYPE 1 VALUES.

N\_AC\_040503\_1\_0060102\_01\_02

180° Turn on a Runway  
Center of Runway Method (Sheet 2 of 2)  
FIGURE-4-5-3-991-006-A01



**\*\*ON A/C A320neo**

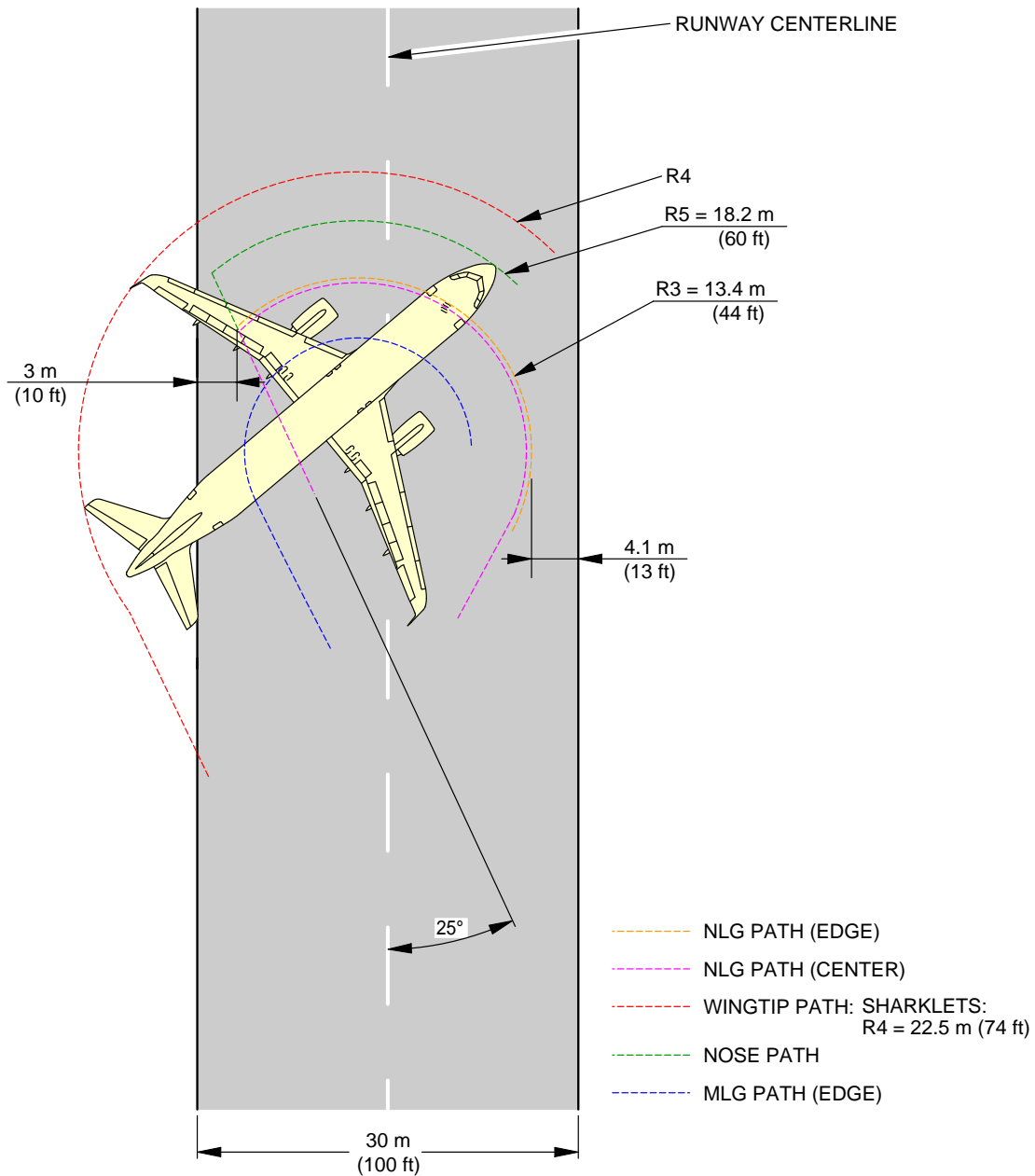


**NOTE:**  
TYPE 1 VALUES.

N\_AC\_040503\_1\_0090101\_01\_00

180° Turn on a Runway  
Edge of Runway Method (Sheet 1 of 2)  
FIGURE-4-5-3-991-009-A01

**\*\*ON A/C A320neo**



**NOTE:**  
TYPE 1 VALUES.

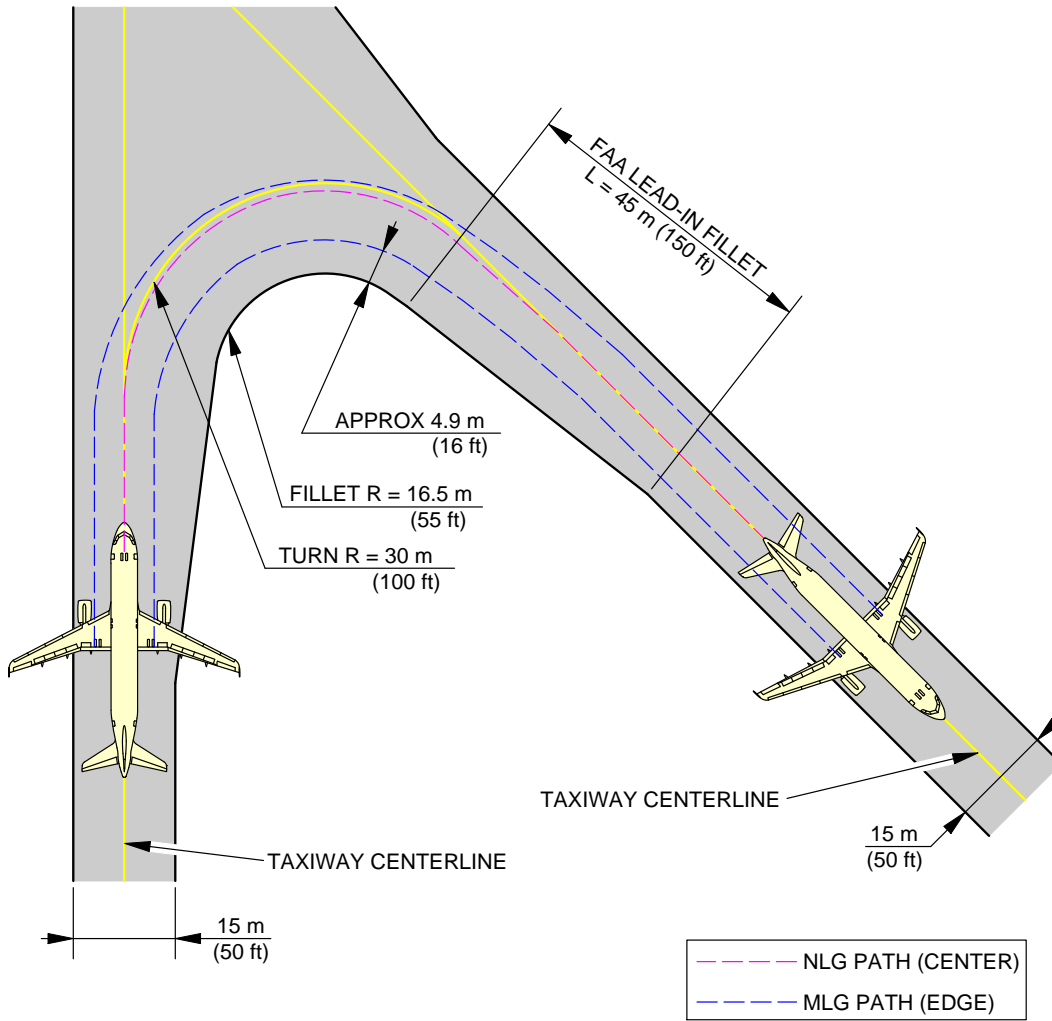
N\_AC\_040503\_1\_0090102\_01\_00

180° Turn on a Runway  
Center of Runway Method (Sheet 2 of 2)  
FIGURE-4-5-3-991-009-A01

**4-5-4 135° Turn - Taxiway to Taxiway****\*\*ON A/C A320-200 A320neo**135° Turn - Taxiway to Taxiway

1. This section gives the 135° turn - taxiway to taxiway.

**\*\*ON A/C A320-200 A320neo**

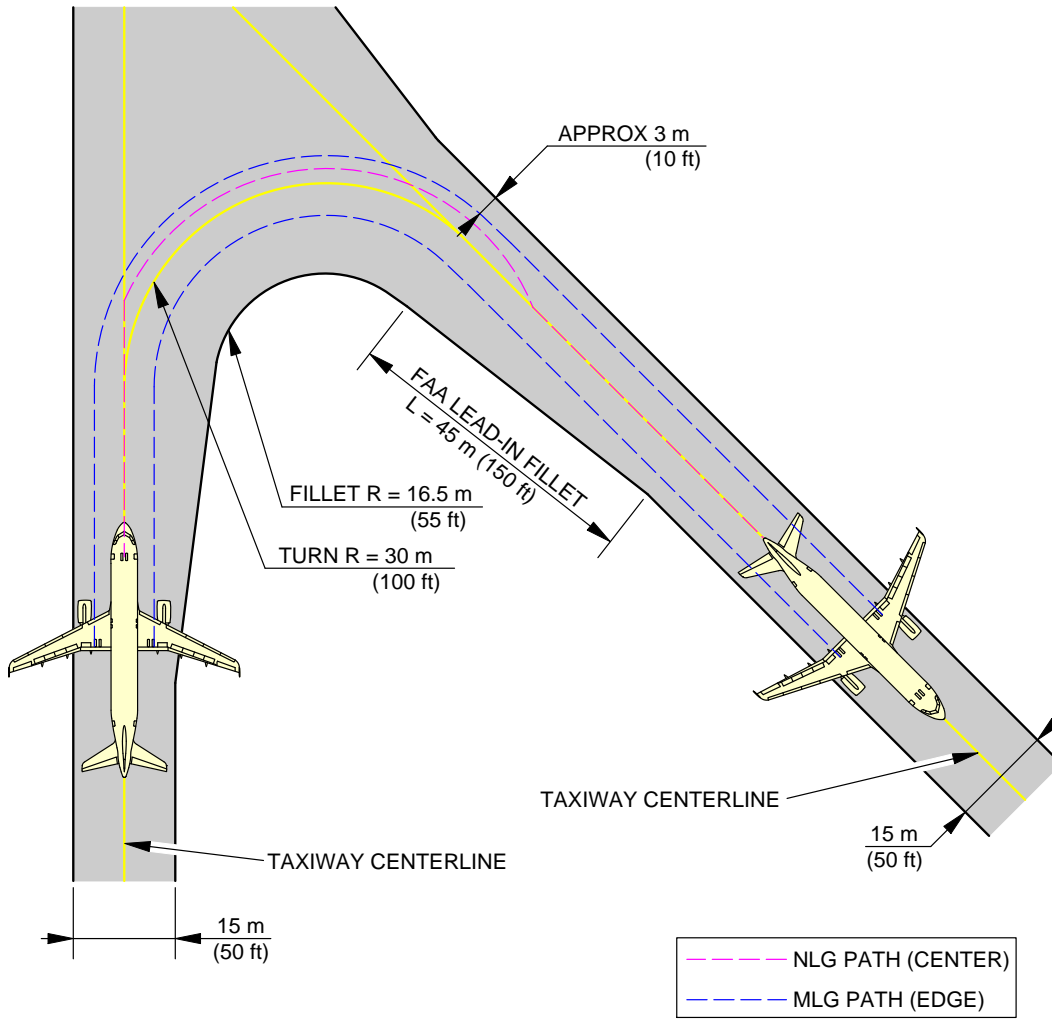


**NOTE:**  
FAA GROUP III FACILITIES.

N\_AC\_040504\_1\_0060101\_01\_01

135° Turn - Taxiway to Taxiway  
Cockpit Over Centerline Method (Sheet 1 of 2)  
FIGURE-4-5-4-991-006-A01

**\*\*ON A/C A320-200 A320neo**



**NOTE:**  
FAA GROUP III FACILITIES.

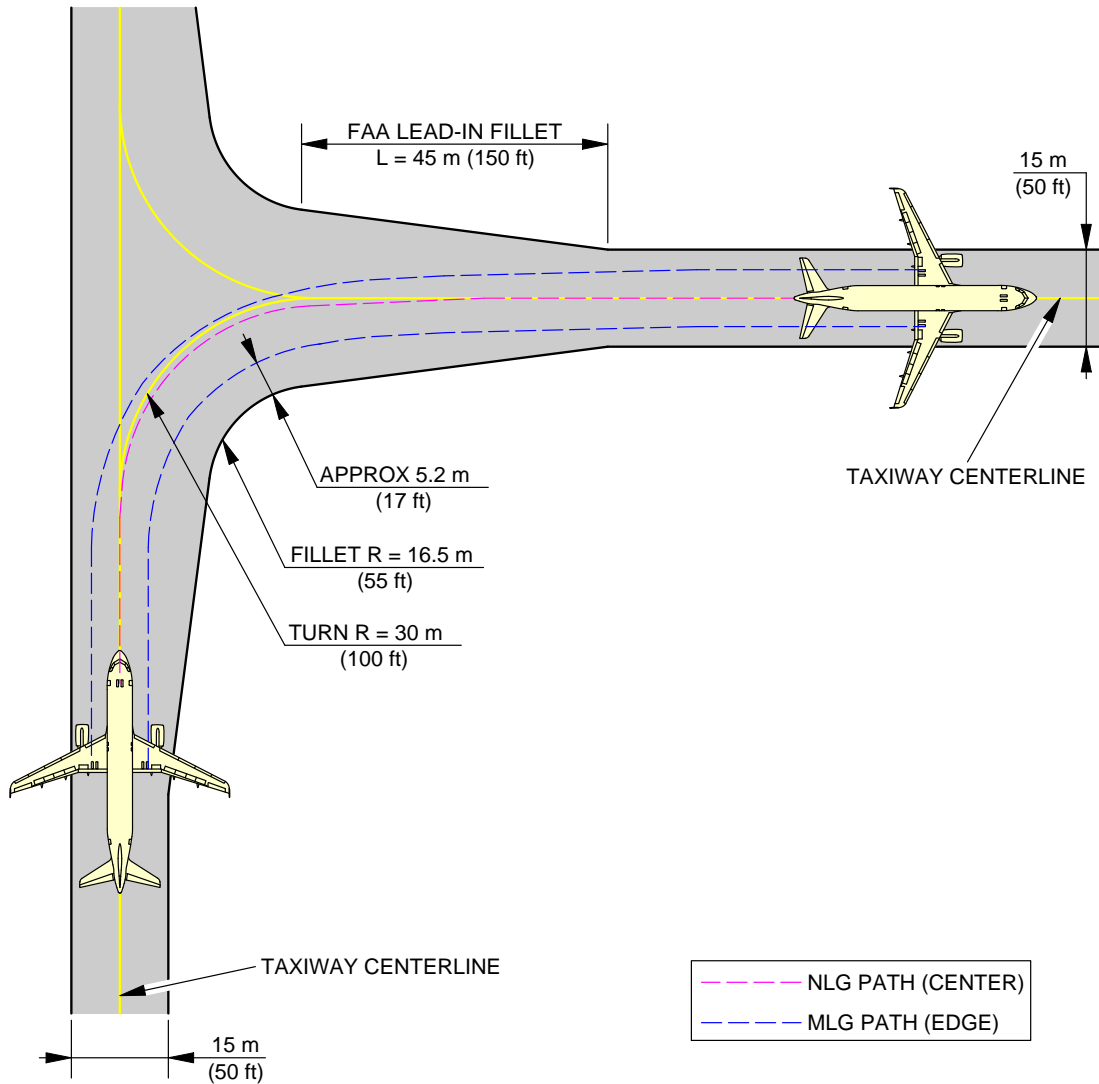
N\_AC\_040504\_1\_0060102\_01\_01

135° Turn - Taxiway to Taxiway  
Judgemental Oversteering Method (Sheet 2 of 2)  
FIGURE-4-5-4-991-006-A01

**4-5-5 90° Turn - Taxiway to Taxiway****\*\*ON A/C A320-200 A320neo**90° Turn - Taxiway to Taxiway

1. This section gives the 90° turn - taxiway to taxiway.

**\*\*ON A/C A320-200 A320neo**

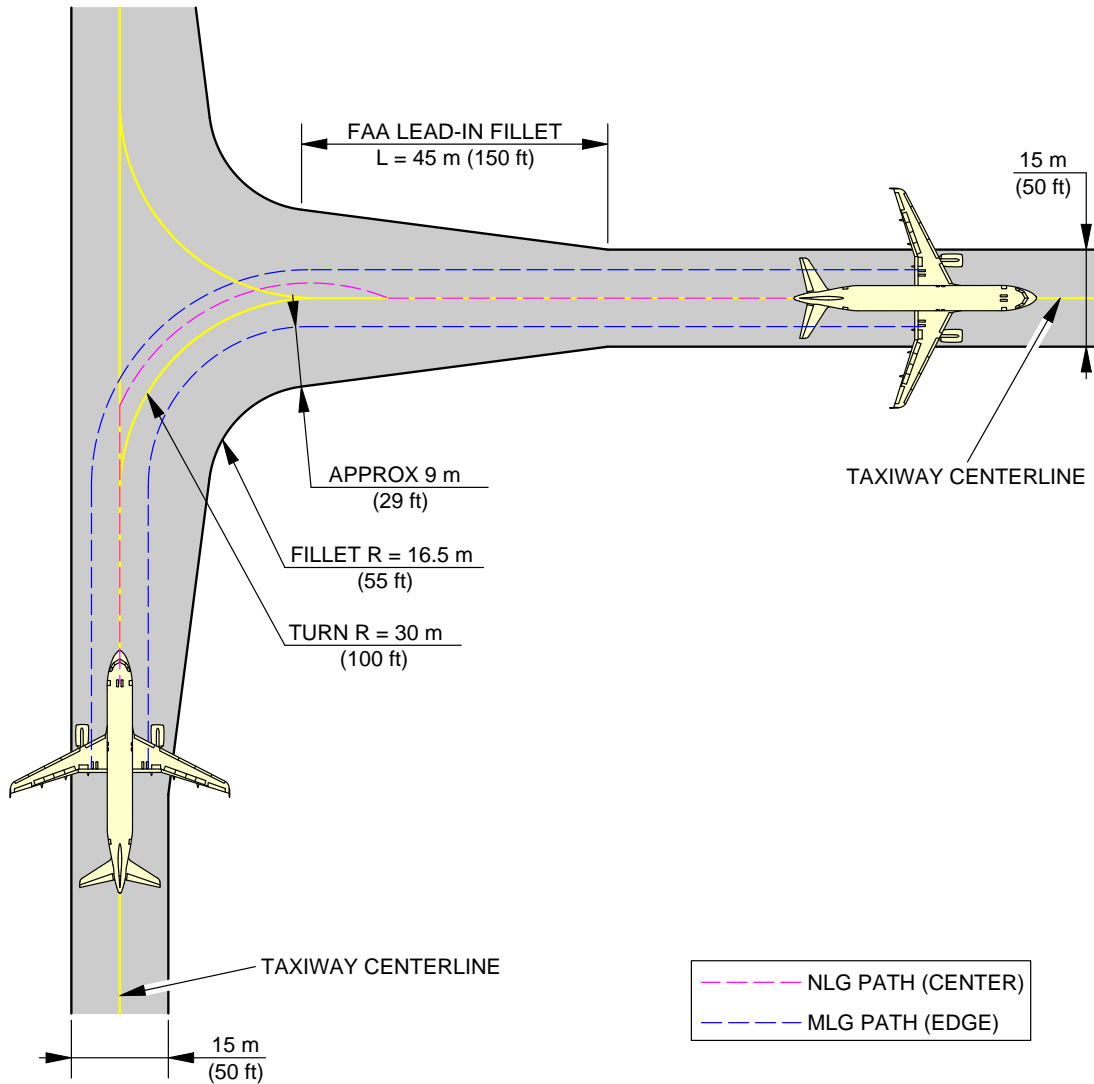


**NOTE:**  
FAA GROUP III FACILITIES.

N\_AC\_040505\_1\_0020101\_01\_02

90° Turn - Taxiway to Taxiway  
Cockpit Over Centerline Method (Sheet 1 of 2)  
FIGURE-4-5-5-991-002-A01

**\*\*ON A/C A320-200 A320neo**



**NOTE:**  
FAA GROUP III FACILITIES.

N\_AC\_040505\_1\_0020102\_01\_01

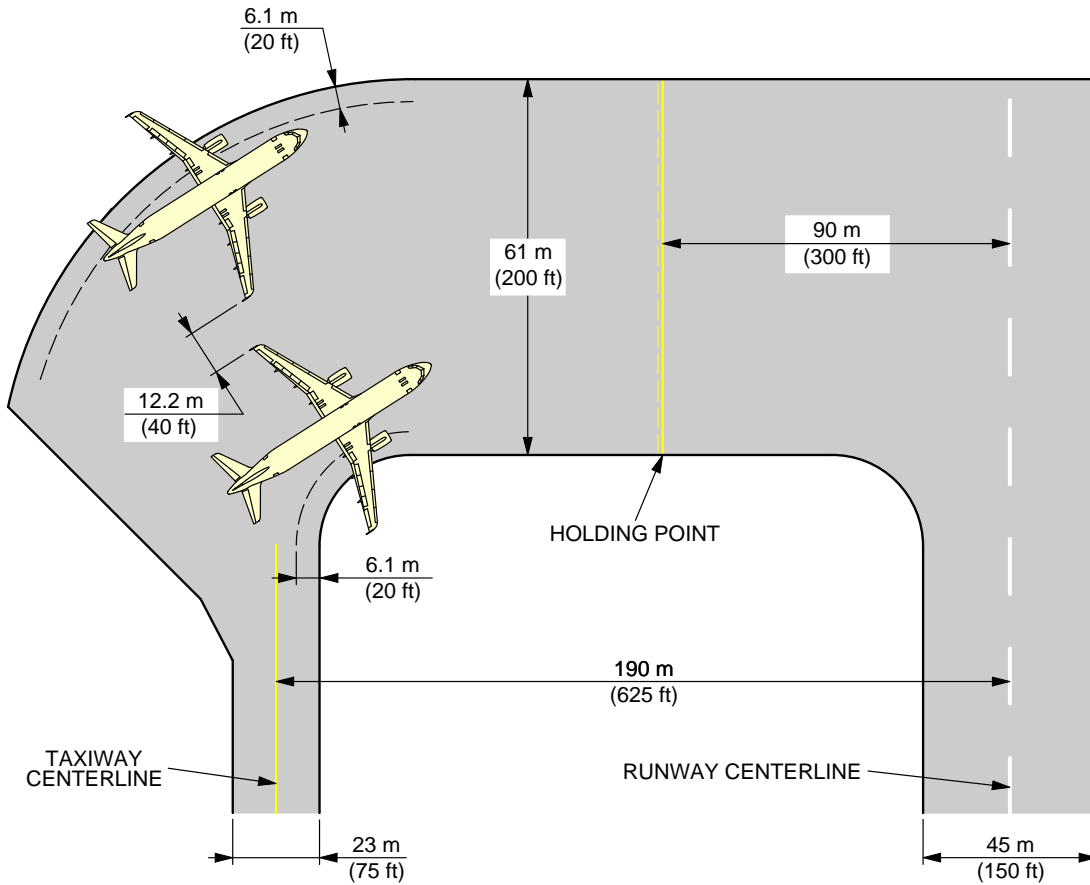
90° Turn - Taxiway to Taxiway  
Judgemental Oversteering Method (Sheet 2 of 2)  
FIGURE-4-5-5-991-002-A01



**4-6-0 Runway Holding Bay (Apron)****\*\*ON A/C A320-200 A320neo**Runway Holding Bay (Apron)

1. This section gives the runway holding bay (Apron).

**\*\*ON A/C A320-200 A320neo**



**NOTE:** COORDINATE WITH USING AIRLINE FOR SPECIFIC PLANNED OPERATING PROCEDURES.

N\_AC\_040600\_1\_0030101\_01\_01

Runway Holding Bay (Apron)  
FIGURE-4-6-0-991-003-A01

## 4-7-0 Minimum Line-Up Distance Corrections

### **\*\*ON A/C A320-200 A320neo**

#### Minimum Line-Up Distance Corrections

1. The ground maneuvers were performed using asymmetric thrust and differential braking only to initiate the turn.

TODA: Take-Off Distance Available

ASDA: Acceleration-Stop Distance Available

2. 90° Turn on Runway Entry

This section gives the minimum line-up distance correction for a 90° turn on runway entry.

This maneuver consists in a 90° turn at minimum turn radius. It starts with the edge of the MLG at a distance of 3 m (10 ft) from the taxiway edge, and finishes with the aircraft aligned on the centerline of the runway, see FIGURE 4-7-0-991-023-A.

During the turn, all the clearances must meet the minimum value of 3 m (10 ft) for this category of aircraft as recommended in ICAO Annex 14.

3. 180° Turn on Runway Turn Pad

This section gives the minimum line-up distance correction for a 180° turn on the runway turn pad.

This maneuver consists in a 180° turn at minimum turn radius on a runway turn pad with standard ICAO geometry.

It starts with the edge of the MLG at a distance of 3 m (10 ft) from the pavement edge, and it finishes with the aircraft aligned on the centerline of the runway, see FIGURE 4-7-0-991-024-A. During the turn, all the clearances must meet the minimum value of 3 m (10 ft) for this category of aircraft as recommended in ICAO Annex 14.

4. 180° Turn on Runway Width

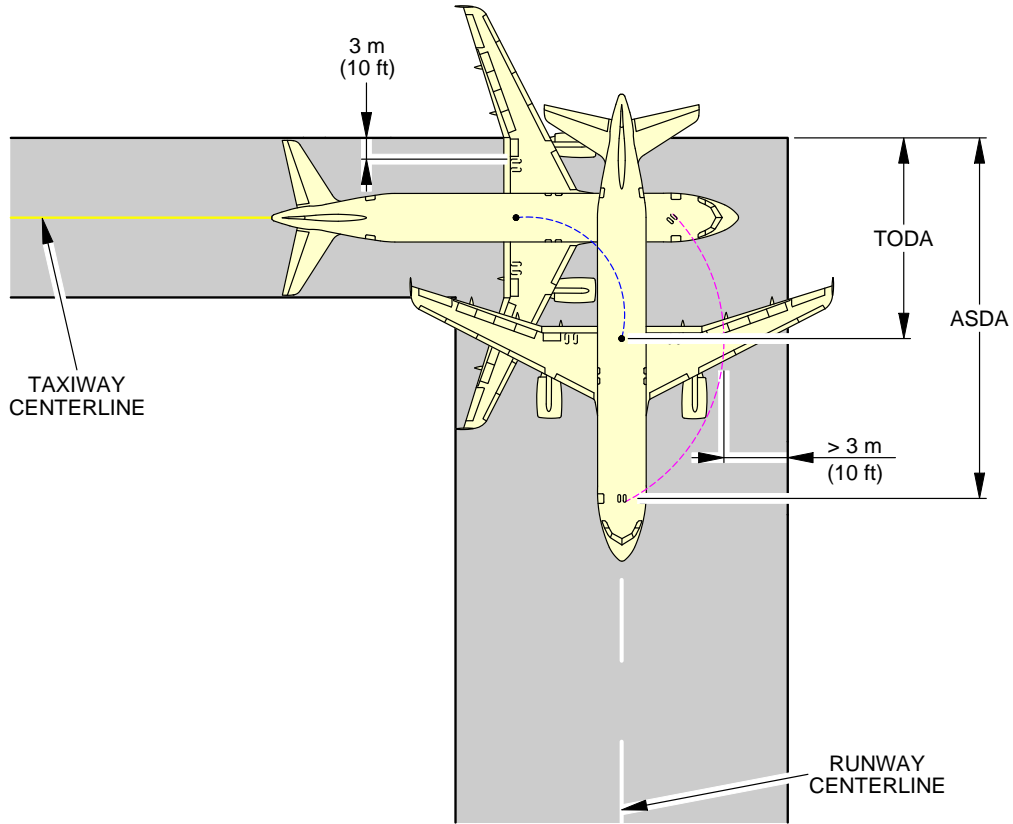
This section gives the minimum line-up distance correction for a 180° turn on the runway width. For this maneuver, the pavement width is considered to be the runway width, which is a frozen parameter (30 m (100 ft), 45 m (150 ft) and 60 m (200 ft)).

As per the standard operating procedures for the "180° turn on runway" (described in the Flight Crew Operating Manual), the aircraft is initially angled with respect to the runway centerline when starting the 180° turn, see FIGURE 4-7-0-991-025-A.

The value of this angle depends on the aircraft type and is mentioned in the FCOM.

During the turn, all the clearances must meet the minimum value of 3 m (10 ft) for this category of aircraft as recommended in ICAO Annex 14.

**\*\*ON A/C A320-200 A320neo**



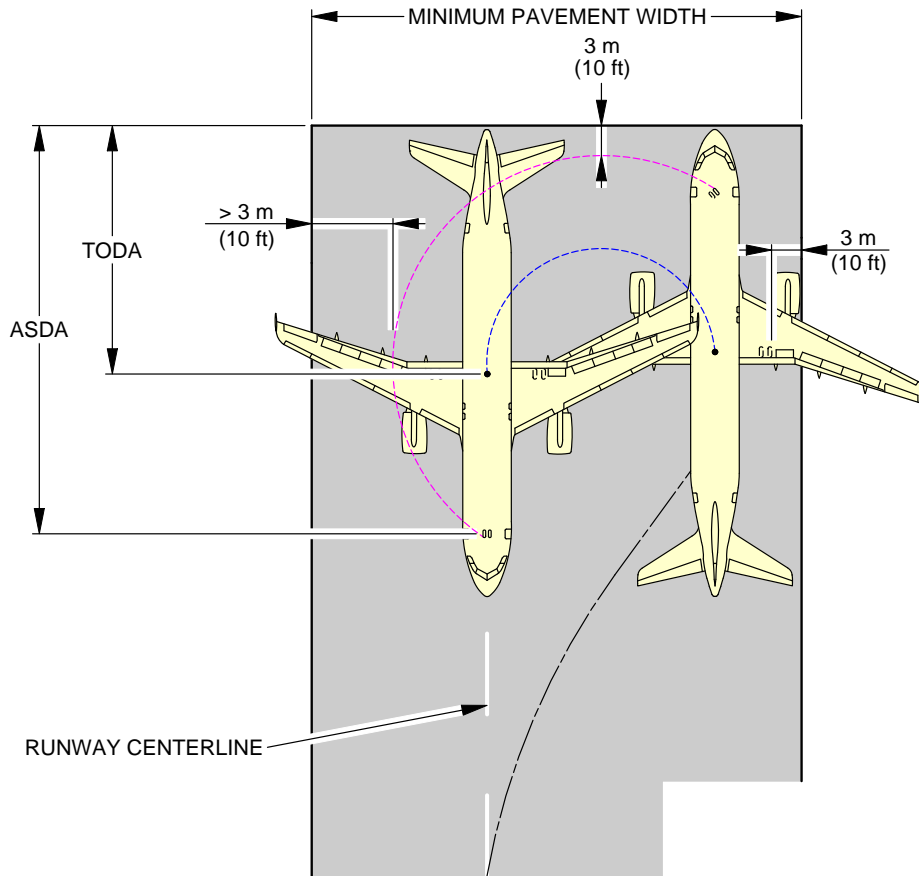
--- ASDA: ACCELERATION-STOP DISTANCE AVAILABLE  
--- TODA: TAKE-OFF DISTANCE AVAILABLE

90° TURN ON RUNWAY ENTRY					
AIRCRAFT TYPE	MAX STEERING ANGLE	30 m (100 ft)/45 m (150 ft)/60 m (200 ft) WIDE RUNWAY			
		MINIMUM LINE-UP DISTANCE CORRECTION			
		ON TODA		ON ASDA	
A320	75°	11.7 m	38 ft	24.3 m	80 ft

N\_AC\_040700\_1\_0230101\_01\_00

Minimum Line-Up Distance Corrections  
 90° Turn on Runway Entry  
 FIGURE-4-7-0-991-023-A01

**\*\*ON A/C A320-200 A320neo**



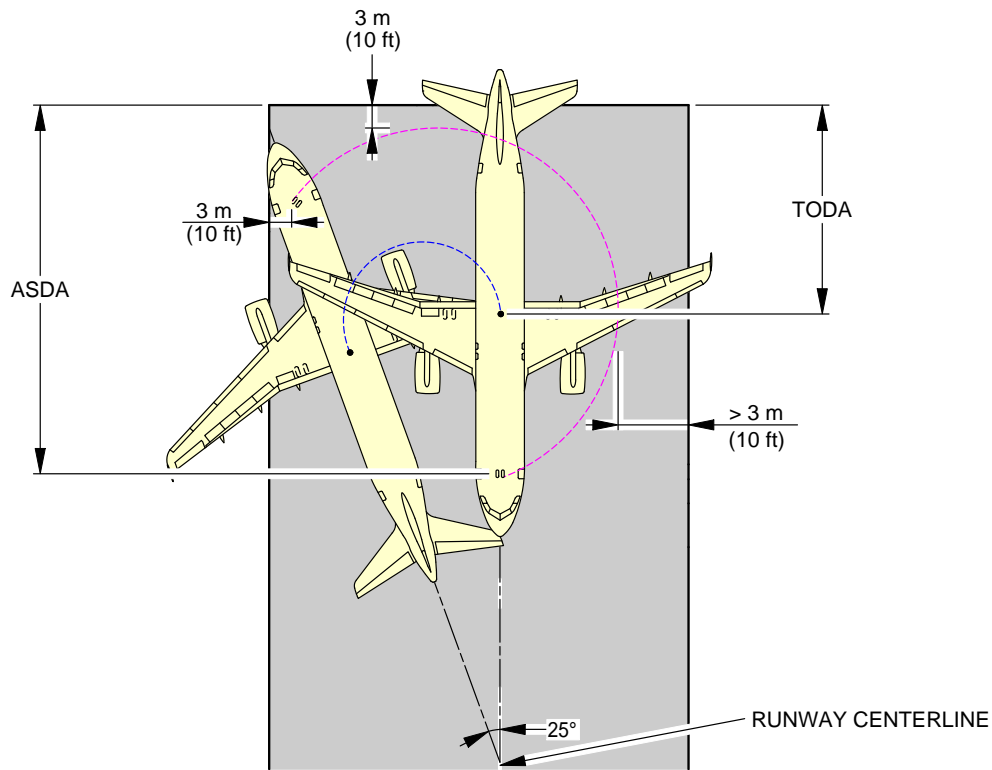
- - - ASDA: ACCELERATION-STOP DISTANCE AVAILABLE  
 - - - TODA: TAKE-OFF DISTANCE AVAILABLE

180° TURN ON RUNWAY TURN PAD							
AIRCRAFT TYPE	MAX STEERING ANGLE	30 m (100 ft)/45 m (150 ft)/60 m (200 ft) WIDE RUNWAY					
		MINIMUM LINE-UP DISTANCE CORRECTION				REQUIRED MINIMUM PAVEMENT WIDTH	
		ON TODA		ON ASDA			
A320	75°	16.7 m	55 ft	29.3 m	96 ft	30.8 m	101 ft

N\_AC\_040700\_1\_0240101\_01\_00

Minimum Line-Up Distance Corrections  
 180° Turn on Runway Turn Pad  
 FIGURE-4-7-0-991-024-A01

**\*\*ON A/C A320-200 A320neo**



--- ASDA: ACCELERATION-STOP DISTANCE AVAILABLE  
--- TODA: TAKE-OFF DISTANCE AVAILABLE

180° TURN ON RUNWAY WIDTH									
AIRCRAFT TYPE	MAX STEERING ANGLE	30 m (100 ft) WIDE RUNWAY				45 m (150 ft)/60 m (200 ft) WIDE RUNWAY			
		MINIMUM LINE-UP DISTANCE CORRECTION				MINIMUM LINE-UP DISTANCE CORRECTION			
		ON TODA		ON ASDA		ON TODA		ON ASDA	
A320	75°	21.3 m	70 ft	33.9 m	111 ft	16.7 m	55 ft	29.3 m	96 ft

N\_AC\_040700\_1\_0250101\_01\_00

**Minimum Line-Up Distance Corrections**  
**180° Turn on Runway Width**  
**FIGURE-4-7-0-991-025-A01**

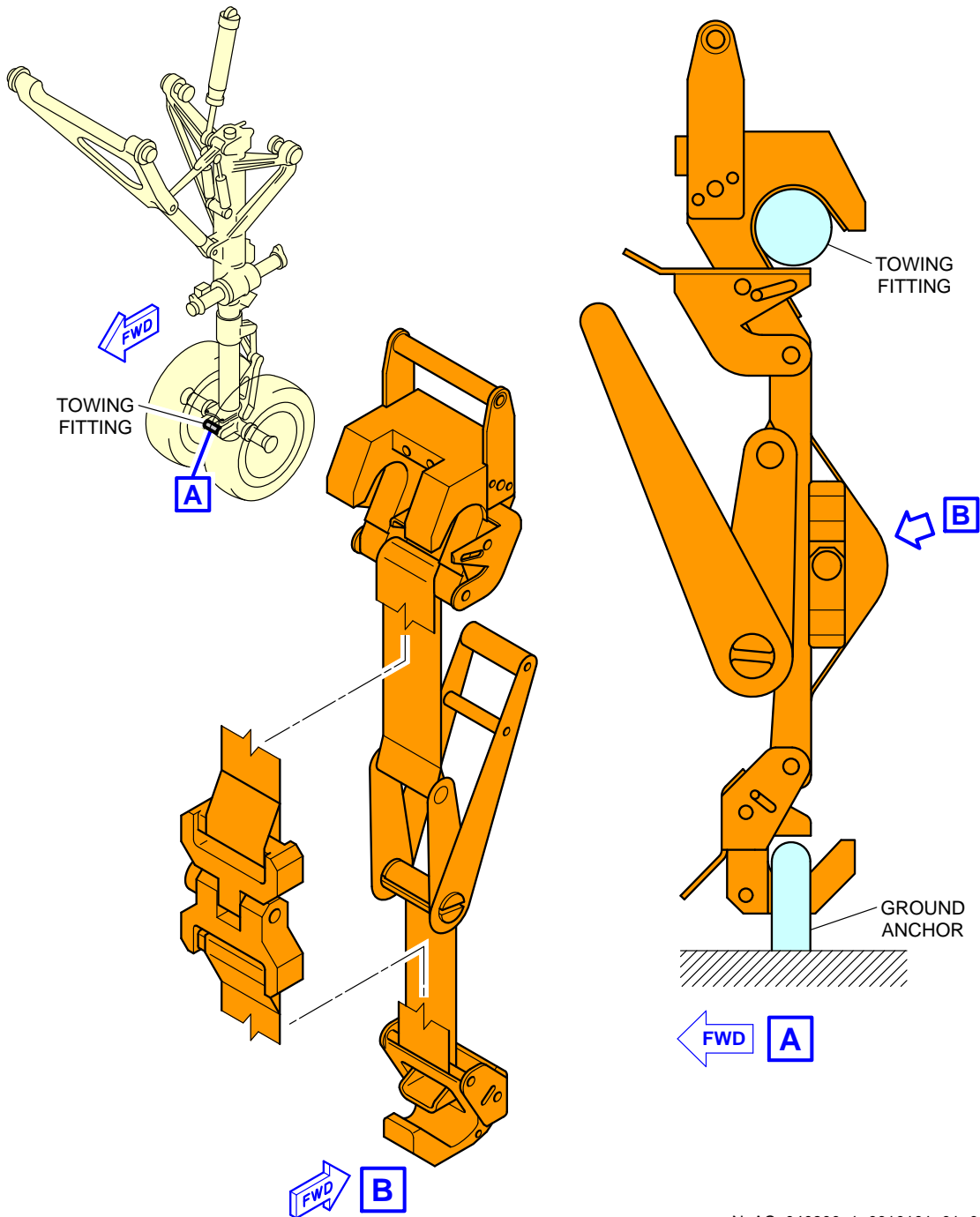
## **4-8-0 Aircraft Mooring**

**\*\*ON A/C A320-200 A320neo**

### Aircraft Mooring

1. This section provides information on aircraft mooring.

**\*\*ON A/C A320-200 A320neo**



N\_AC\_040800\_1\_0010101\_01\_00

Aircraft Mooring  
FIGURE-4-8-0-991-001-A01



**TERMINAL SERVICING****5-1-1 Aircraft Servicing Arrangements****\*\*ON A/C A320-200 A320neo**Aircraft Servicing Arrangements

1. This section provides typical ramp layouts, showing the various GSE items in position during typical turn-round scenarios.

These ramp layouts show typical arrangements only. Each operator will have its own specific requirements/regulations for positioning and operation on the ramp.

This table gives the symbols used on servicing diagrams.

Ground Support Equipment	
AC	AIR CONDITIONING UNIT
AS	AIR START UNIT
BULK	BULK TRAIN
CAT	CATERING TRUCK
CB	CONVEYOR BELT
CLEAN	CLEANING TRUCK
FUEL	FUEL HYDRANT DISPENSER or TANKER
GPU	GROUND POWER UNIT
LDCL	LOWER DECK CARGO LOADER
LV	LAVATORY VEHICLE
PBB	PASSENGER BOARDING BRIDGE
PS	PASSENGER STAIRS
TOW	TOW TRACTOR
ULD	ULD TRAIN
WV	POTABLE WATER VEHICLE

## 5-1-2 Typical Ramp Layout - Open Apron

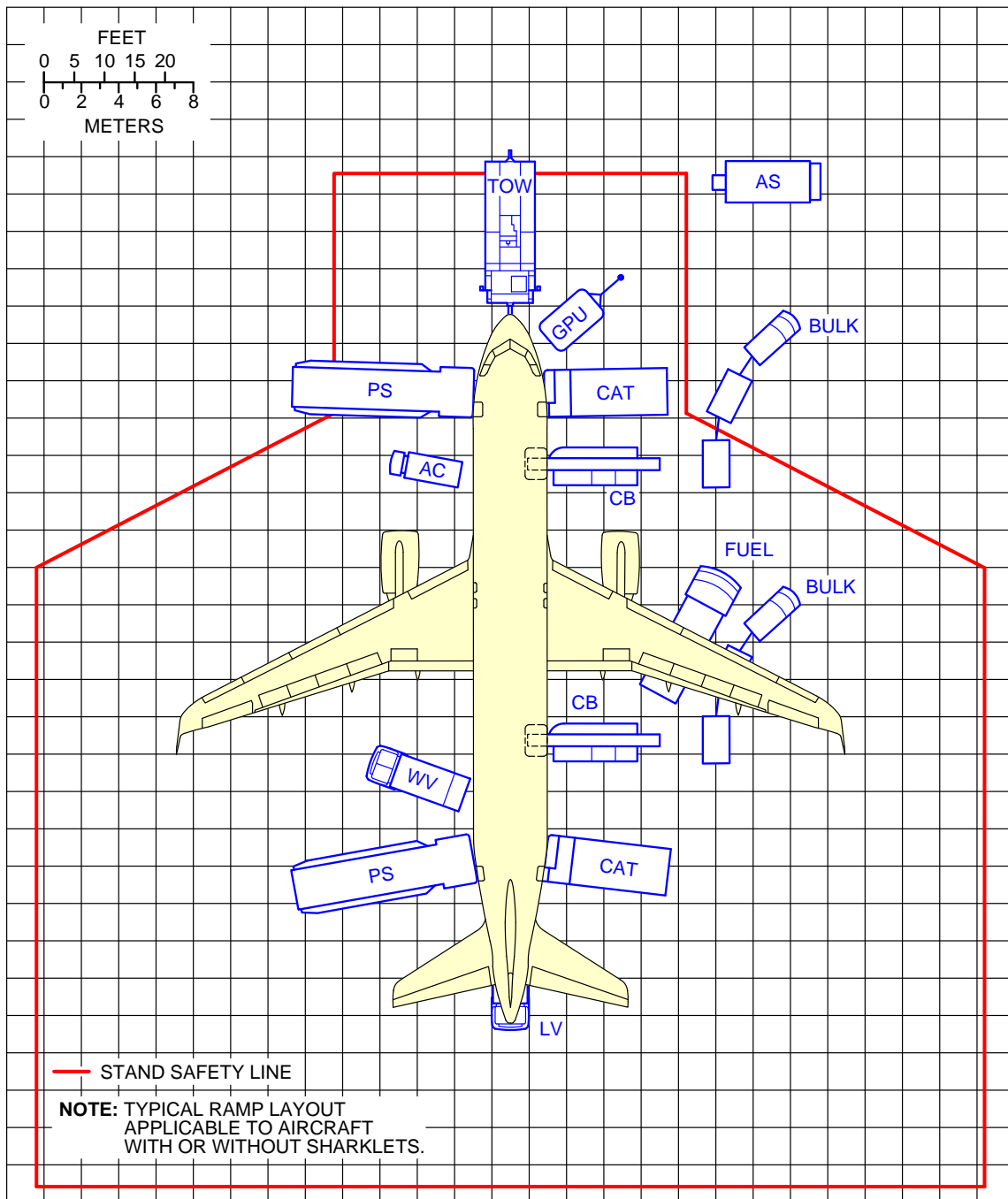
**\*\*ON A/C A320-200 A320neo**

### Typical Ramp Layout - Open Apron

1. This section gives the typical servicing arrangement for pax version (Open Apron).

The Stand Safety Line delimits the Aircraft Safety Area (minimum distance of 7.5 m from the aircraft). No vehicle must be parked in this area before complete stop of the aircraft (wheel chocks in position on landing gears).

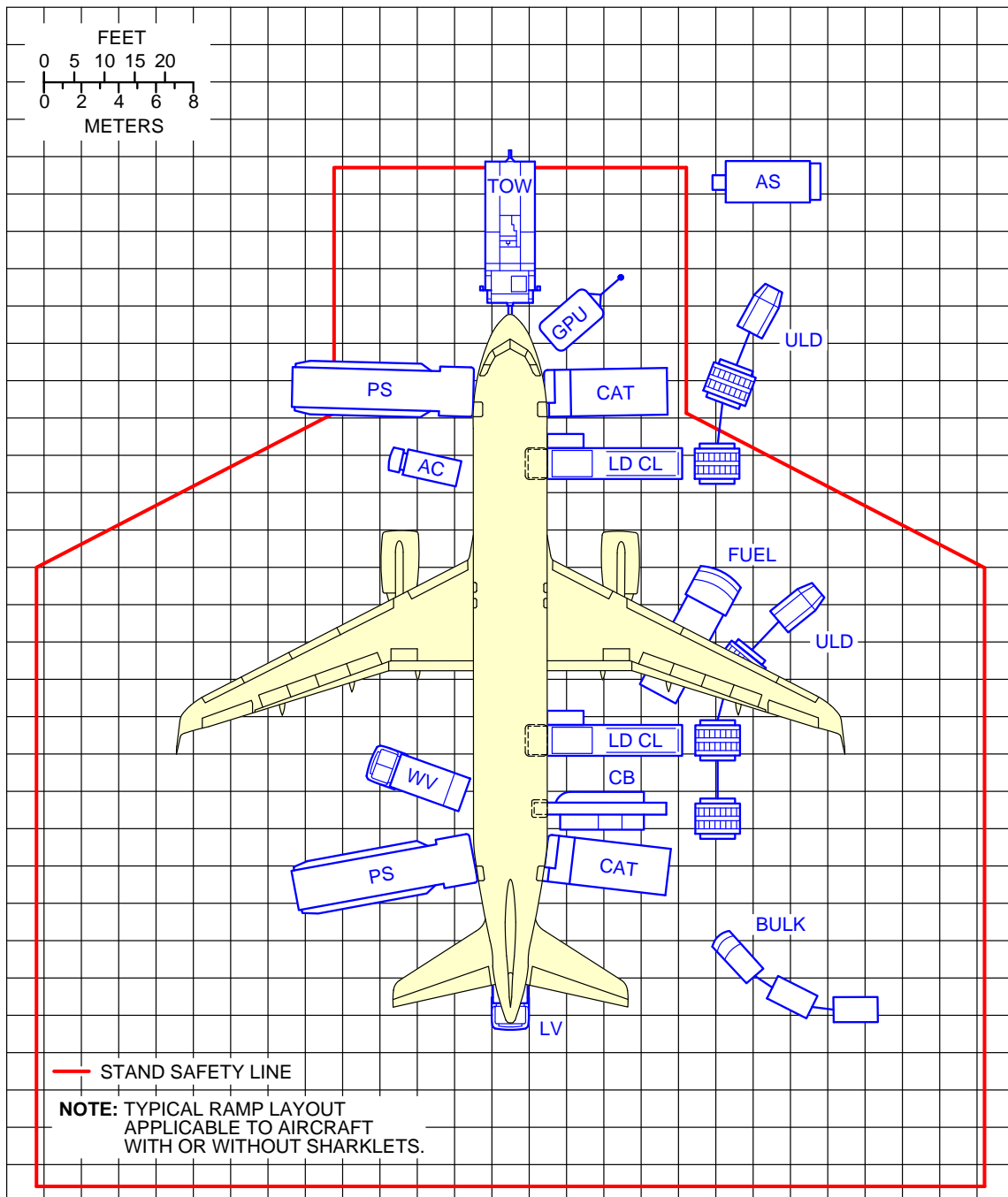
**\*\*ON A/C A320-200 A320neo**



N\_AC\_050102\_1\_0030101\_01\_03

Typical Ramp Layout  
Open Apron - Bulk Loading  
FIGURE-5-1-2-991-003-A01

**\*\*ON A/C A320-200 A320neo**



N\_AC\_050102\_1\_0090101\_01\_00

Typical Ramp Layout  
Open Apron - ULD Loading  
FIGURE-5-1-2-991-009-A01

### 5-1-3 Typical Ramp Layout - Gate

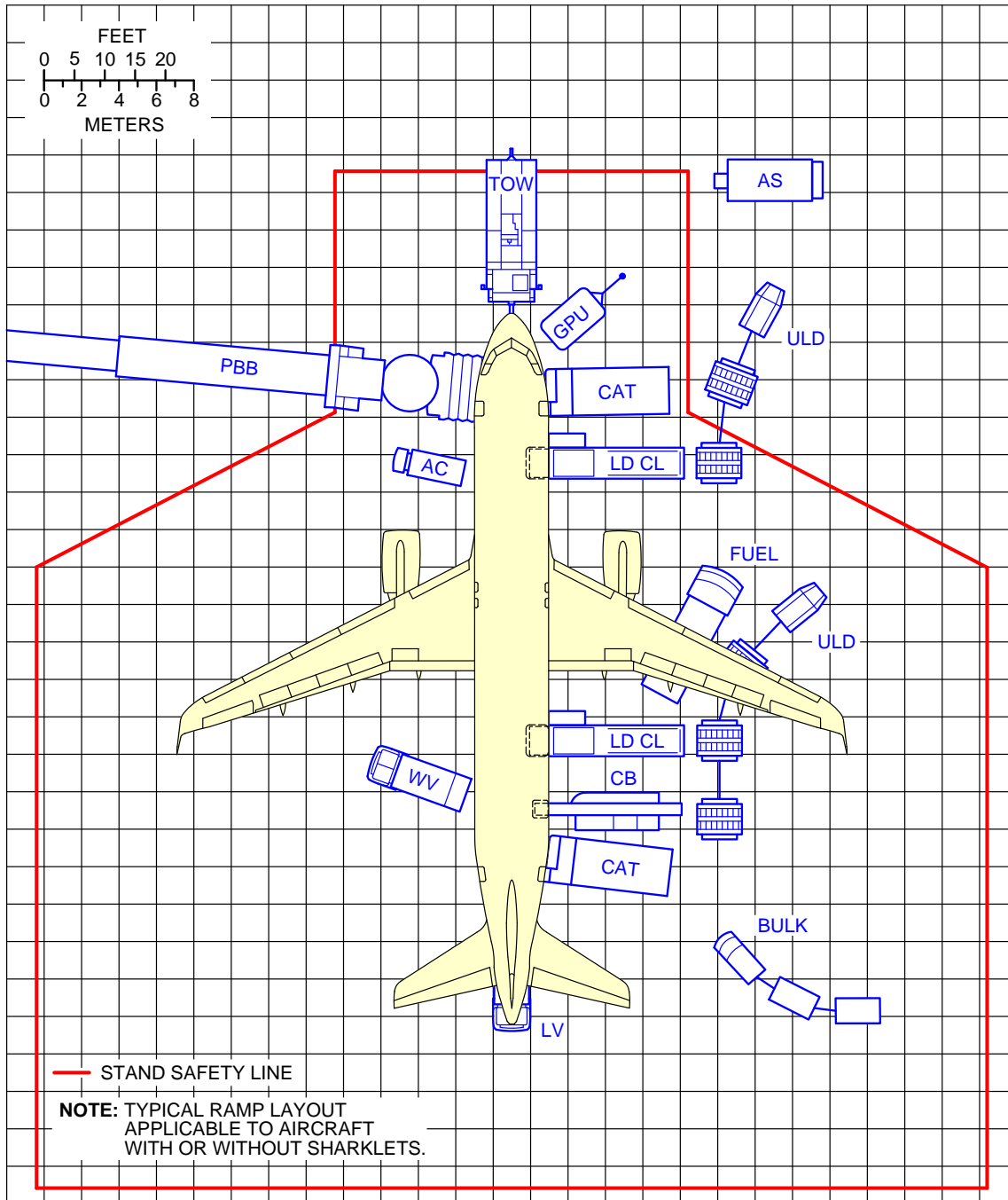
**\*\*ON A/C A320-200 A320neo**

#### Typical Ramp Layout - Gate

1. This section gives the typical servicing arrangement for pax version (Passenger Bridge).

The Stand Safety Line delimits the Aircraft Safety Area (minimum distance of 7.5 m from the aircraft). No vehicle must be parked in this area before complete stop of the aircraft (wheel chocks in position on landing gears).

**\*\*ON A/C A320-200 A320neo**



N\_AC\_050103\_1\_0020101\_01\_03

Typical Ramp Layout  
 Gate  
 FIGURE-5-1-3-991-002-A01

## 5-2-0 Terminal Operations - Full Servicing Turn Round Time Chart

### \*\*ON A/C A320-200 A320neo

#### Terminal Operations - Full Servicing Turn Round Time

1. This section provides a typical turn round time chart showing the typical time for ramp activities during aircraft turn round.

Actual times may vary due to each operator's specific practices, resources, equipment and operating conditions.

2. Assumptions used for full servicing turn round time chart

#### A. PASSENGER HANDLING

150 pax: 12 F/C + 138 Y/C.

All passengers deplane and board the aircraft.

1 Passenger Boarding Bridge (PBB) used at door 1L.

Equipment positioning + opening door = +2 min.

Closing door + equipment removal = +1.5 min.

No Passenger with Reduced Mobility (PRM) on board.

Deplaning:

- 150 pax at door 1L
- Deplaning rate = 20 pax/min per door
- Priority deplaning for premium passengers.

Boarding:

- 150 pax at door 1L
- Boarding rate = 12 pax/min per door
- Last Pax Seating allowance (LPS) + headcounting = +2 min.

#### B. CARGO

2 cargo loaders + 1 belt loader.

Opening door + equipment positioning = +2 min.

Equipment removal + closing door = +1.5 min.

100% cargo exchange (baggage only):

- FWD cargo compartment: 3 containers
- AFT cargo compartment: 4 containers
- Bulk compartment: 500 kg (1 102 lb).

Container unloading/loading times:

- Unloading = 1.5 min/container
- Loading = 1.5 min/container.

Bulk unloading/loading times:

- Unloading = 150 kg/min (331 lb/min)
- Loading = 120 kg/min (265 lb/min).

C. REFUELING

Uplifted quantity: 20 000 l (5 283 US gal) at 50 psig (3.45 bars-rel), one hose (right wing).

Truck positioning/removal + connection/disconnection times = +2.5 min.

No refuel with pax on board

D. CLEANING

Cleaning is performed in available time.

E. CATERING

1 catering truck for servicing galleys sequentially at doors 1R and 4R.

Equipment positioning + opening door = +2 min.

Closing door + equipment removal = +1.5 min.

Time to drive from one door to the other = +2 min.

Full Size Trolley Equivalent (FSTE) to unload and load: 11 FSTE

- 4 FSTE at door 1R
- 7 FSTE at door 4R.

Time for trolley exchange = 1.2 min per FSTE.

F. GROUND HANDLING/GENERAL SERVICING

Start of operations:

- Bridges/stairs:  $t_0 = 0$
- Other equipment:  $t = t_0$

Ground Power Unit (GPU): up to 90 kVA.

Air conditioning: one hose.

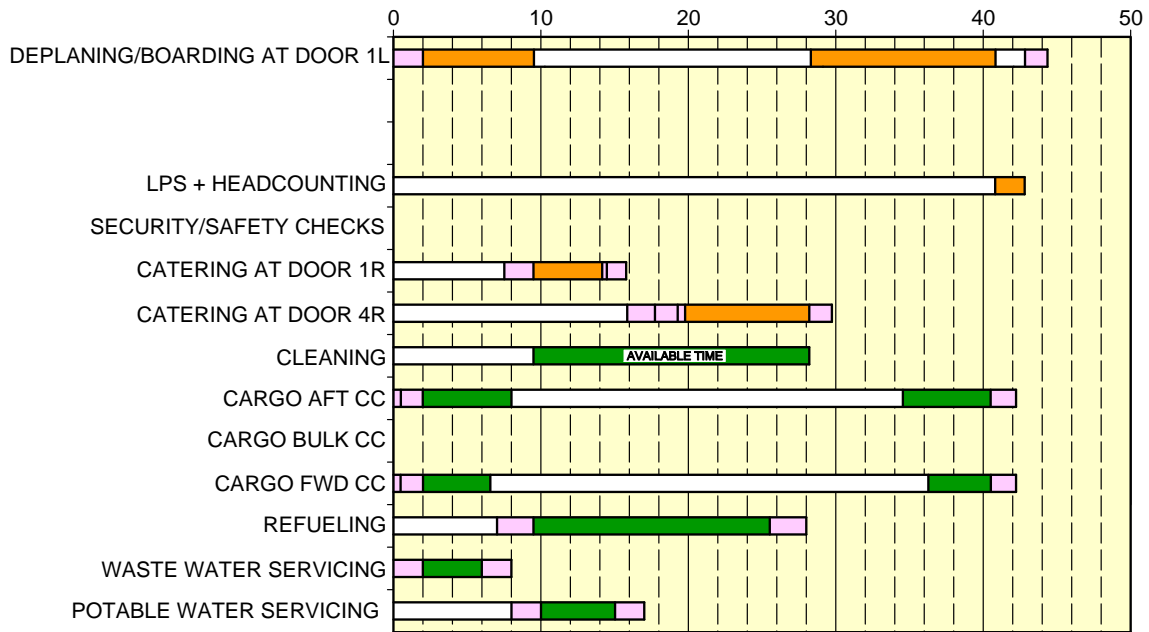
Toilet servicing: draining + rinsing.

Potable water servicing: 100% uplift, 200 l (53 US gal).



**\*\*ON A/C A320-200 A320neo**

**TRT: 44 min**



- GSE POSITIONING/REMOVAL
- ACTIVITY
- CRITICAL PATH

N\_AC\_050200\_1\_0060101\_01\_04

Full Servicing Turn Round Time Chart  
FIGURE-5-2-0-991-006-A01

**5-3-0 Terminal Operation - Outstation Turn Round Time Chart****\*\*ON A/C A320-200 A320neo**Terminal Operations - Outstation Turn Round Time

1. This section provides a typical turn round time chart showing the typical time for ramp activities during aircraft turn round.

Actual times may vary due to each operator's specific practices, resources, equipment and operating conditions.

2. Assumptions used for outstation turn round time chart

**A. PASSENGER HANDLING**

180 pax (all Y/C).

All passengers deplane and board the aircraft.

2 stairways used at doors 1L and 4L.

Equipment positioning + opening door = +2 min.

Closing door + equipment removal = +1.5 min.

No Passenger with Reduced Mobility (PRM) on board.

Deplaning:

- 90 pax at door 1L
- 90 pax at door 4L
- Deplaning rate = 18 pax/min per door.

Boarding:

- 90 pax at door 1L
- 90 pax at door 4L
- Boarding rate = 12 pax/min per door
- Last Pax Seating allowance (LPS) + headcounting = +2 min.

**B. CARGO**

2 cargo loaders.

Opening door + equipment positioning = +2 min.

Equipment removal + closing door = +1.5 min.

100% cargo exchange:

- FWD cargo compartment: 3 containers
- AFT cargo compartment: 4 containers.

Container unloading/loading times:

- Unloading = 1.5 min/container
- Loading = 1.5 min/container.

**C. REFUELING**

No refueling.

**D. CLEANING**

Cleaning is performed in available time.

**E. CATERING**

One catering truck for servicing the galleys as required.

**F. GROUND HANDLING/GENERAL SERVICING**

Start of operations:

- Bridges/stairs:  $t_0 = 0$
- Other equipment:  $t = t_0$ .

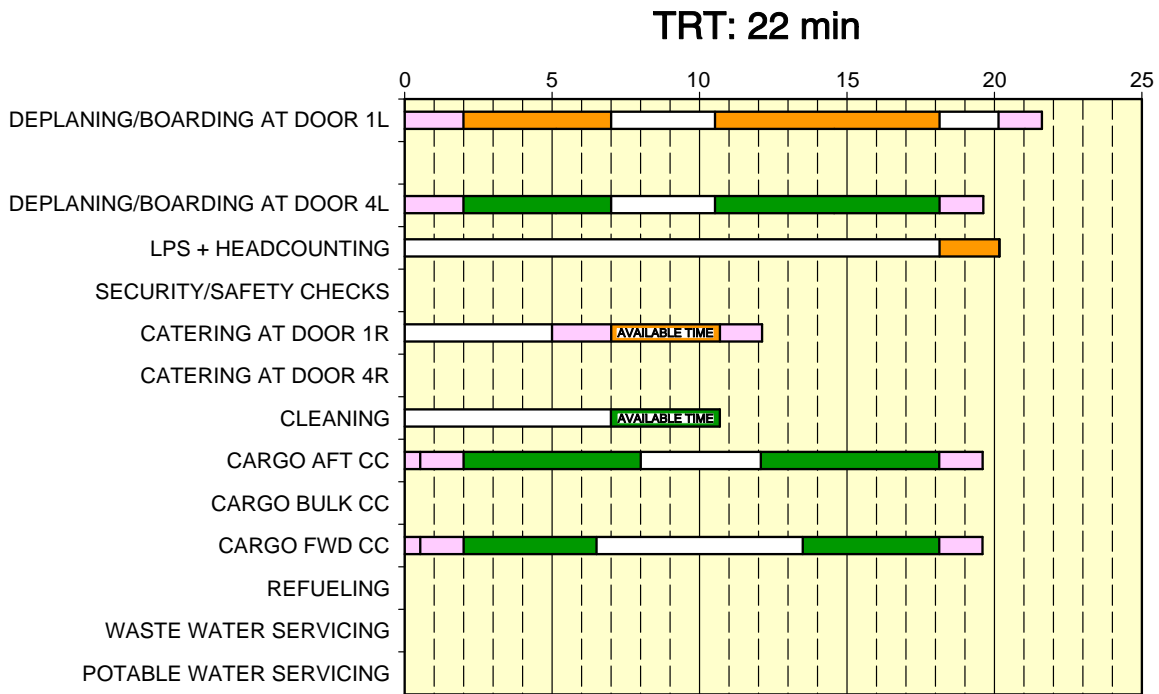
Ground Power Unit (GPU): up to 90 kVA.

Air conditioning: one hose.

No toilet servicing.

No potable water servicing.

**\*\*ON A/C A320-200 A320neo**



- GSE POSITIONING/REMOVAL
- ACTIVITY
- CRITICAL PATH

N\_AC\_050300\_1\_0030101\_01\_05

Outstation Turn Round Time Chart  
FIGURE-5-3-0-991-003-A01

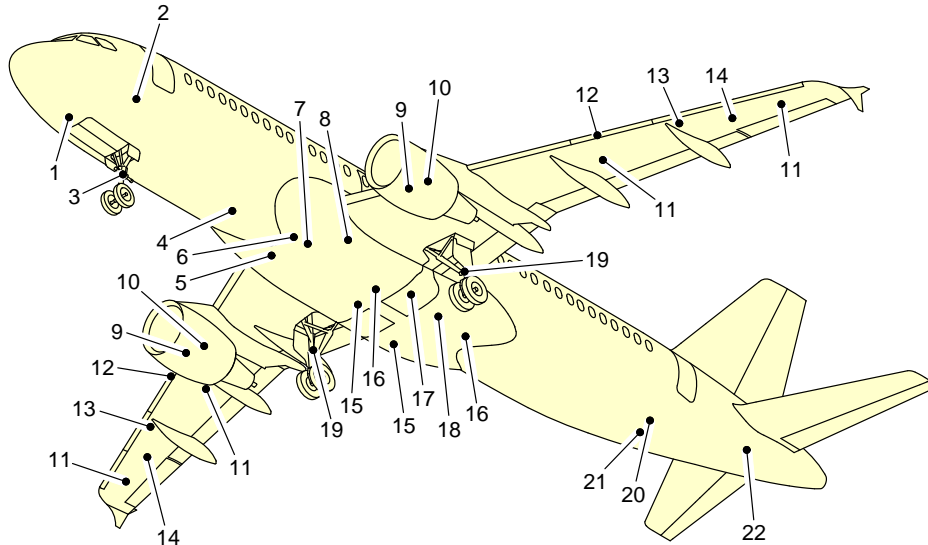
## 5-4-1 Ground Service Connections

**\*\*ON A/C A320-200 A320neo**

### Ground Service Connections Layout

1. This section provides the ground service connections layout.

**\*\*ON A/C A320-200 A320neo**



- |                                                 |                                                                             |
|-------------------------------------------------|-----------------------------------------------------------------------------|
| 1 - GROUND ELECTRICAL POWER CONNECTOR           | 13 - OVERWING REFUEL (IF INSTALLED)                                         |
| 2 - OXYGEN SYSTEM                               | 14 - NACA VENT INTAKE                                                       |
| 3 - NLG GROUNDING (EARTHING) POINT              | 15 - YELLOW HYDRAULIC-SYSTEM SERVICE PANEL                                  |
| 4 - POTABLE WATER DRAIN PANEL (OPTIONAL)        | 16 - BLUE HYDRAULIC-SYSTEM SERVICE PANEL                                    |
| 5 - POTABLE WATER DRAIN PANEL                   | 17 - ACCUMULATOR CHARGING (GREEN SYSTEM) AND RESERVOIR DRAIN (GREEN SYSTEM) |
| 6 - LOW PRESSURE AIR PRE-CONDITIONING           | 18 - GREEN HYDRAULIC-SYSTEM SERVICE PANEL                                   |
| 7 - HIGH PRESSURE AIR PRE-CONDITIONING          | 19 - MLG GROUNDING (EARTHING) POINT                                         |
| 8 - REFUEL/DEFUEL INTEGRATED PANEL              | 20 - WASTE WATER SERVICE PANEL                                              |
| 9 - IDG/STARTER OIL SERVICING                   | 21 - POTABLE WATER SERVICE PANEL                                            |
| 10 - ENGINE OIL SERVICING                       | 22 - APU OIL SERVICING                                                      |
| 11 - OVERPRESSURE PROTECTOR                     |                                                                             |
| 12 - REFUEL/DEFUEL COUPLINGS (OPTIONAL-LH WING) |                                                                             |

N\_AC\_050401\_1\_0050101\_01\_02

Ground Service Connections Layout  
FIGURE-5-4-1-991-005-A01

**5-4-2 Grounding Points**

**\*\*ON A/C A320-200 A320neo**

Grounding (Earthing) Points

1. Grounding (Earthing) Points

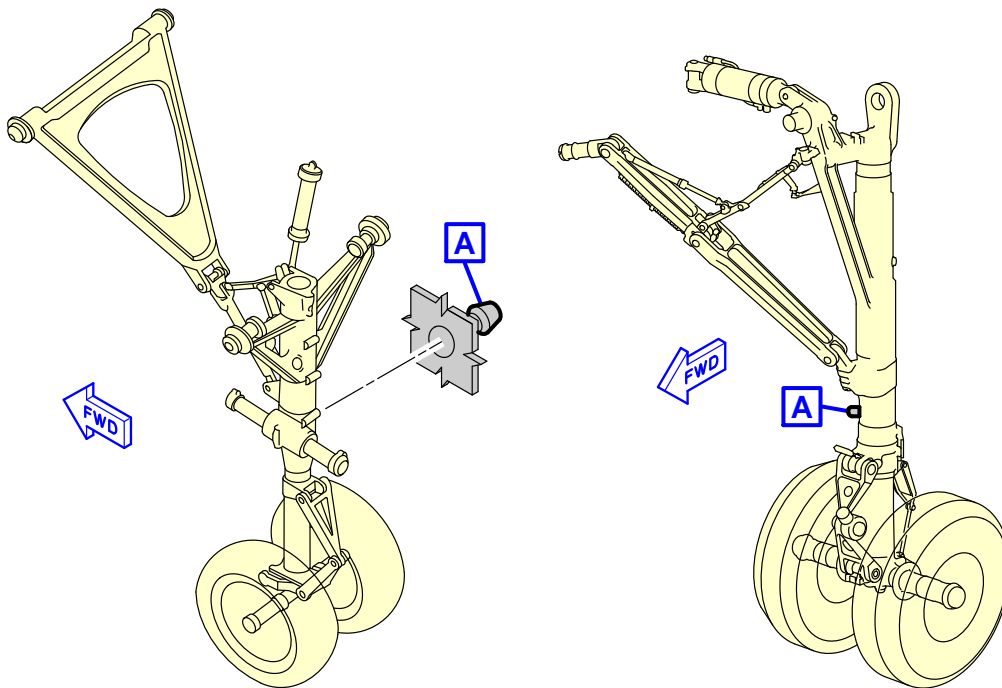
	DISTANCE			MEAN HEIGHT FROM GROUND
	AFT OF NOSE	FROM AIRCRAFT CENTERLINE		
		LH SIDE	RH SIDE	
On Nose Landing Gear leg:	5.07 m (16.63 ft)	On Centerline		0.94 m (3.08 ft)
On left Main Landing Gear leg:	20.25 m (66.44 ft)	3.79 m (12.43 ft)	-	1.07 m (3.51 ft)
On right Main Landing Gear leg:	20.25 m (66.44 ft)	-	3.79 m (12.43 ft)	1.07 m (3.51 ft)

- A. The grounding (earthing) stud on each landing gear leg is designed for use with a clip-on connector (such as Appleton TGR).
- B. The grounding (earthing) studs are used to connect the aircraft to an approved ground (earth) connection on the ramp or in the hangar for:
  - Refuel/defuel operations,
  - Maintenance operations,
  - Bad weather conditions.

**NOTE :** In all other conditions, the electrostatic discharge through the tire is sufficient. If the aircraft is on jacks for retraction and extension checks or for the removal/ installation of the landing gear, the grounding (earthing) alternative points (if installed) are:

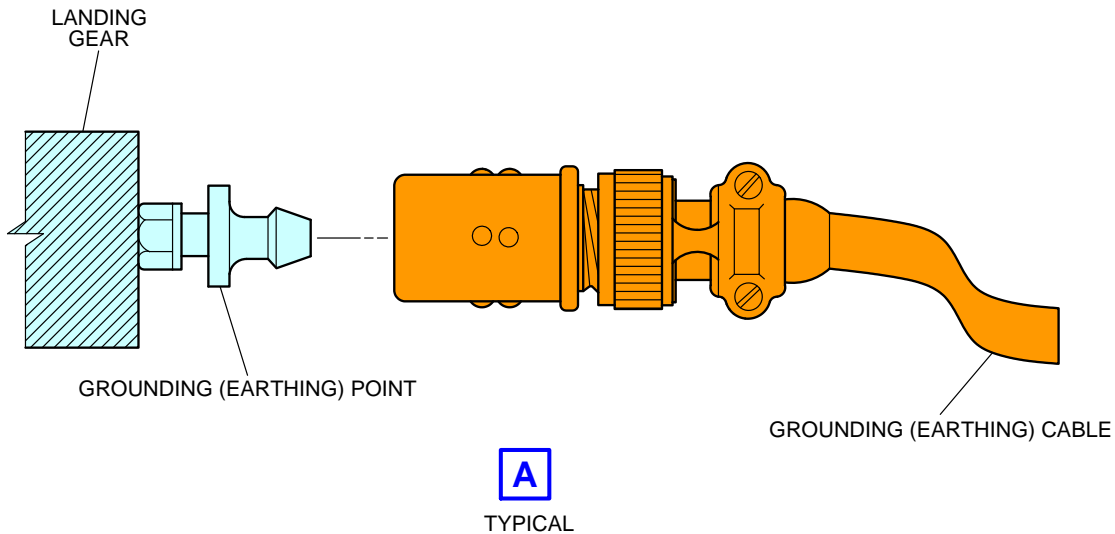
- In the hole on the avionics-compartment lateral right door-frame (on FR14),
- On the engine nacelles,
- Adjacent to the high-pressure connector,
- On the wing upper surfaces.

**\*\*ON A/C A320-200 A320neo**



NOSE LANDING GEAR

MAIN LANDING GEAR

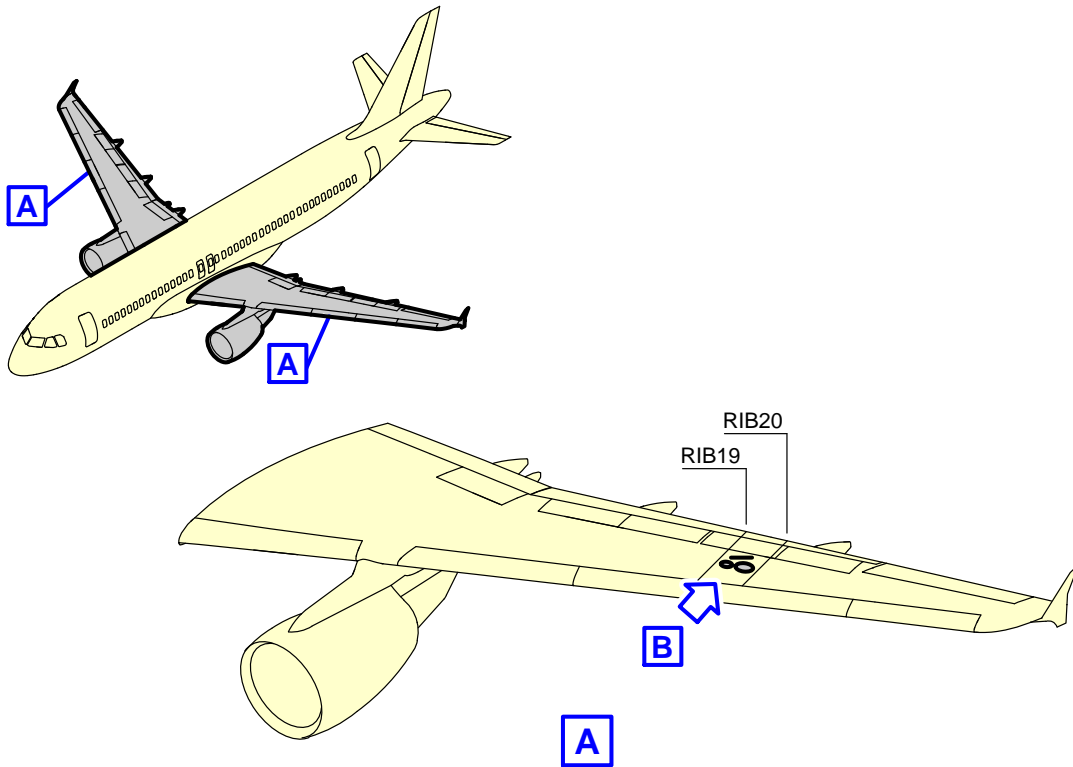


N\_AC\_050402\_1\_0050101\_01\_01

Ground Service Connections  
Grounding (Earthing) Points - Landing Gear  
FIGURE-5-4-2-991-005-A01

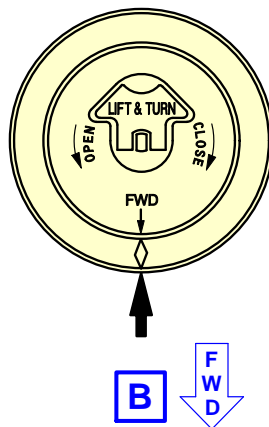


**\*\*ON A/C A320-200 A320neo**



### JET FUEL

FOR SPECIFICATIONS REFER TO FLIGHT MANUAL

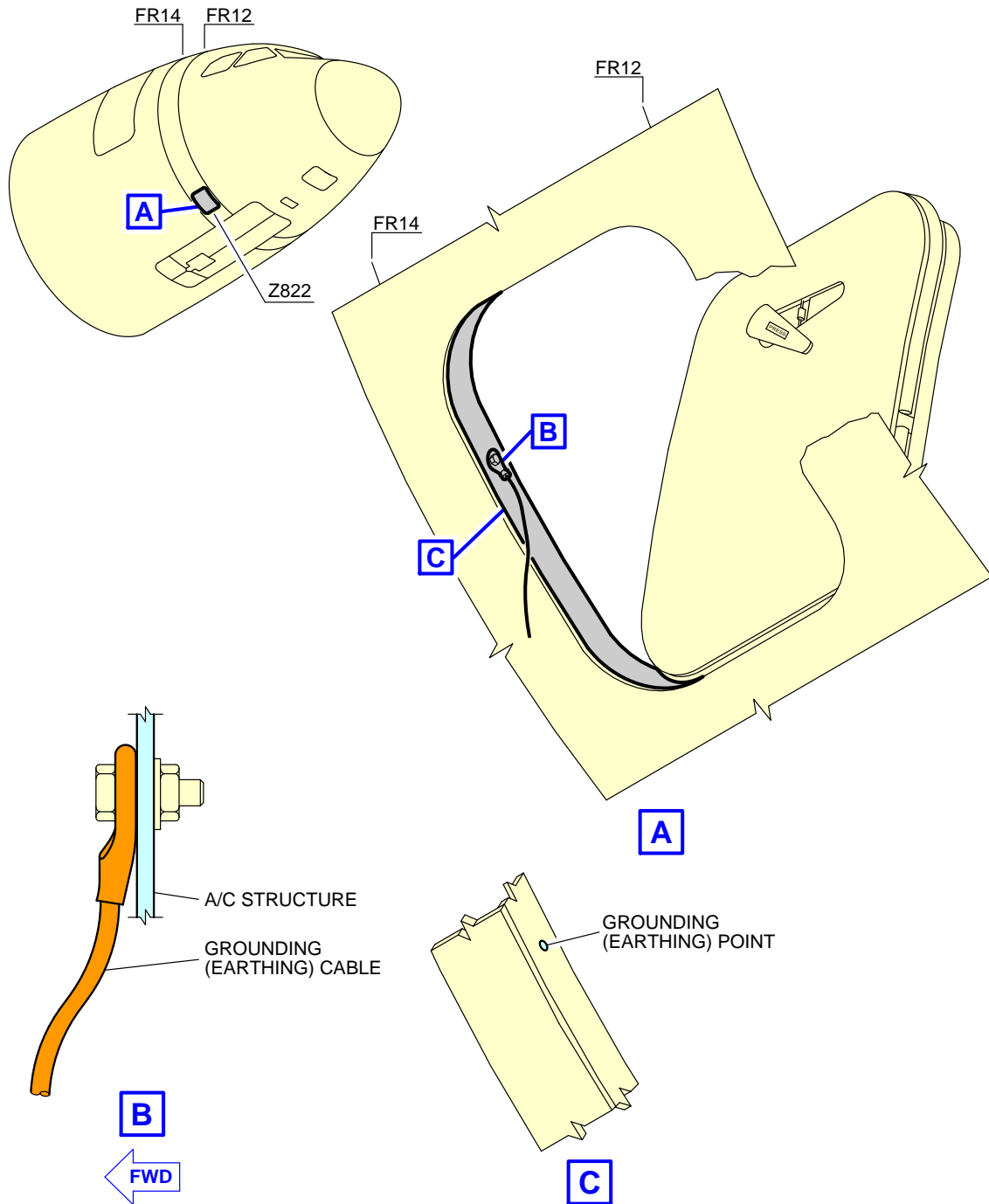


NOTE: R SIDE SYMMETRICAL

N\_AC\_050402\_1\_0060101\_01\_00

Ground Service Connections  
Grounding (Earthing) Points - Wing (If Installed)  
FIGURE-5-4-2-991-006-A01

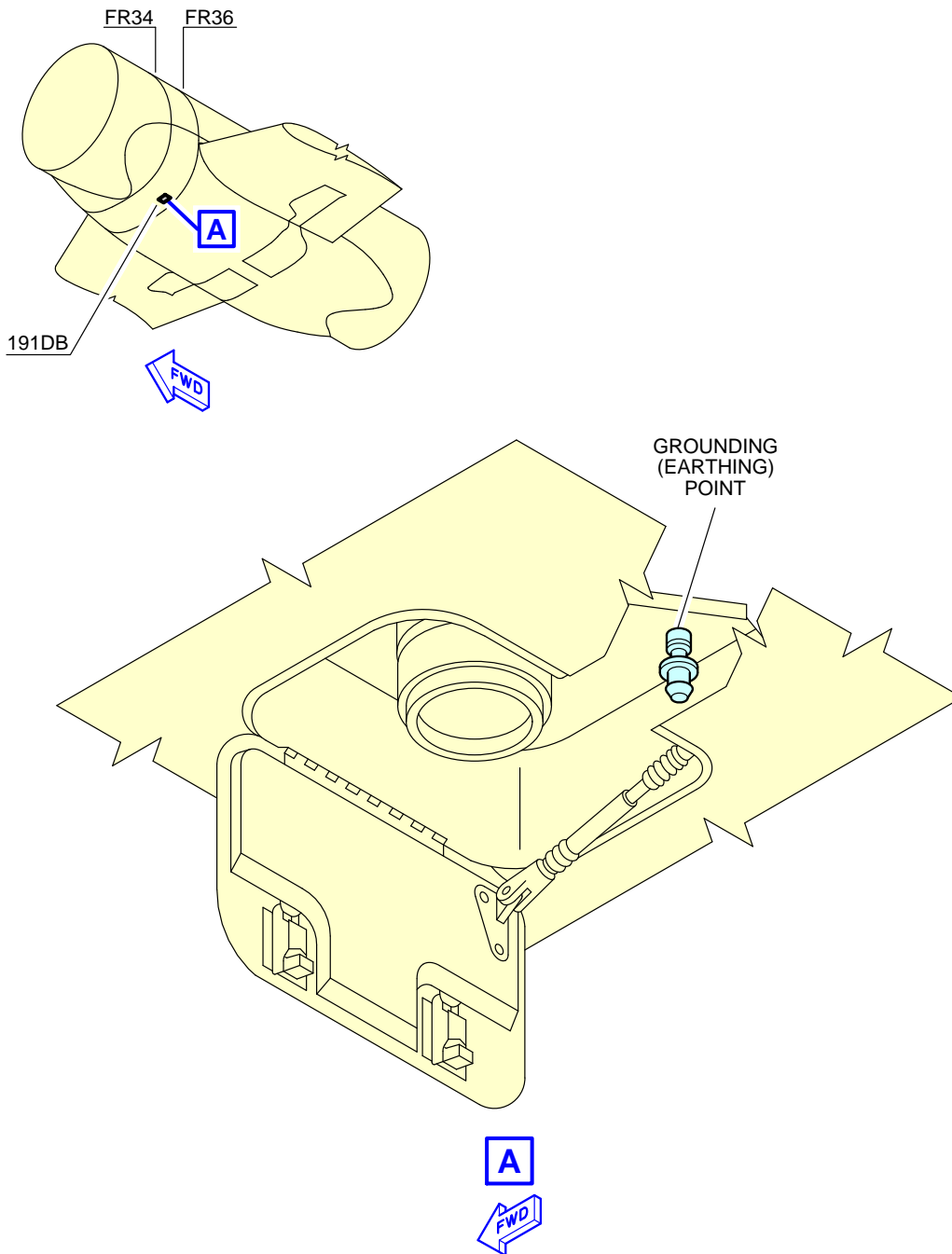
**\*\*ON A/C A320-200 A320neo**



N\_AC\_050402\_1\_0150101\_01\_00

Ground Service Connections  
Grounding (Earthing) Point - Avionics Compartment Door-Frame  
FIGURE-5-4-2-991-015-A01

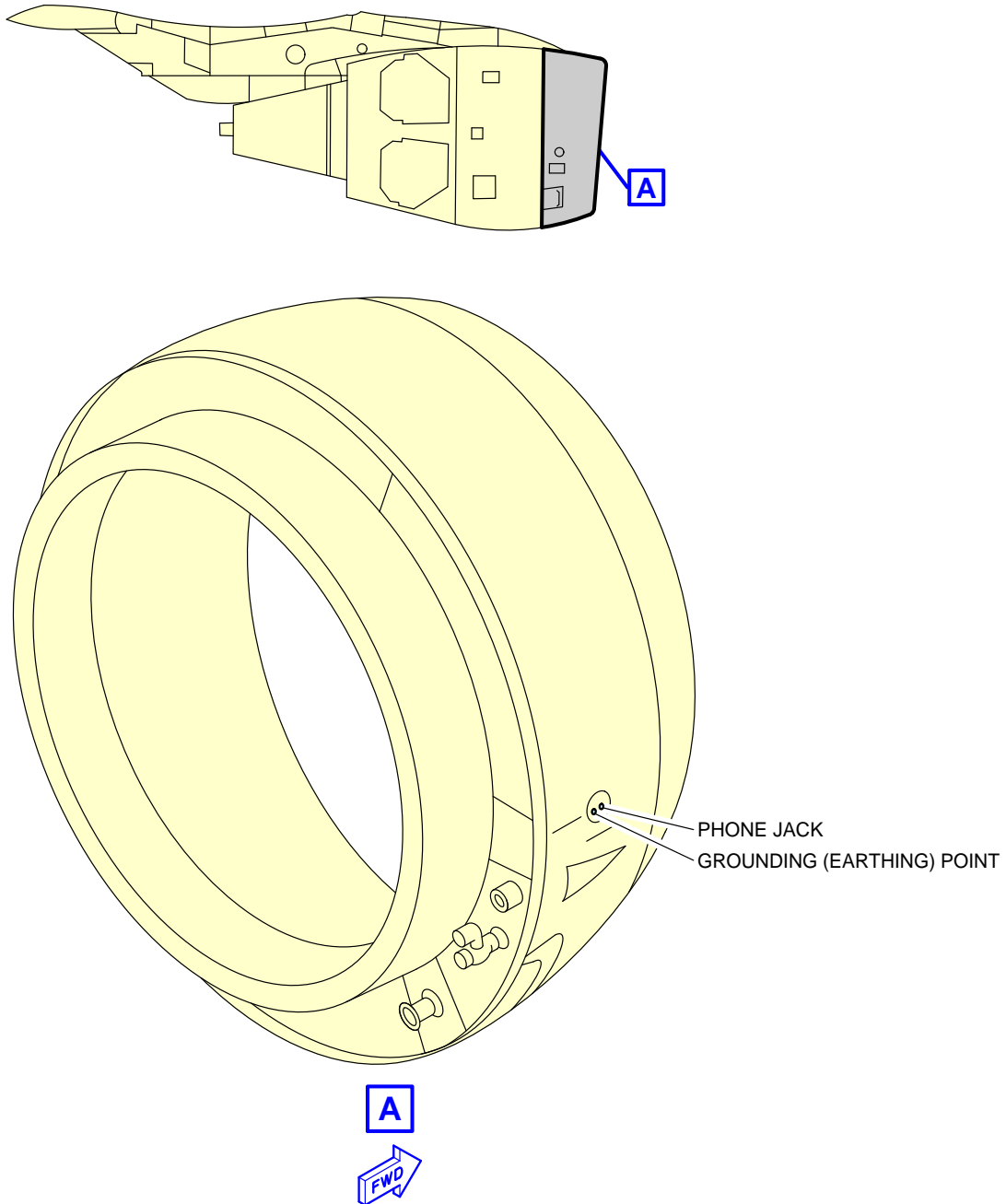
**\*\*ON A/C A320-200 A320neo**



N\_AC\_050402\_1\_0160101\_01\_00

Ground Service Connections  
Grounding (Earthing) Point - High-Pressure Connector (If Installed)  
FIGURE-5-4-2-991-016-A01

**\*\*ON A/C A320-200 A320neo**



N\_AC\_050402\_1\_0170101\_01\_00

Ground Service Connections  
Grounding (Earthing) Point - Engine Air Intake (If Installed)  
FIGURE-5-4-2-991-017-A01

**5-4-3 Hydraulic System**

**\*\*ON A/C A320-200 A320neo**

Hydraulic Servicing

1. Access

ACCESS	DISTANCE			
	AFT OF NOSE	FROM AIRCRAFT CENTERLINE		MEAN HEIGHT FROM GROUND
		LH SIDE	RH SIDE	
Green System: Access Door 197CB	19.17 m (62.89 ft)	1.27 m (4.17 ft)		1.76 m (5.77 ft)
Yellow System: Access Door 198CB	19.17 m (62.89 ft)		1.27 m (4.17 ft)	1.76 m (5.77 ft)
Blue System: Access Door 197EB	20.22 m (66.34 ft)	1.27 m (4.17 ft)		1.76 m (5.77 ft)

2. Reservoir Pressurization

ACCESS	DISTANCE			
	AFT OF NOSE	FROM AIRCRAFT CENTERLINE		MEAN HEIGHT FROM GROUND
		LH SIDE	RH SIDE	
Access Door 195BB	15.65 m (51.35 ft)	0.25 m (0.82 ft)		1.74 m (5.71 ft)

3. Accumulator Charging

Four MIL-PRF-6164 connections:

ACCESS	DISTANCE			
	AFT OF NOSE	FROM AIRCRAFT CENTERLINE		MEAN HEIGHT FROM GROUND
		LH SIDE	RH SIDE	
Yellow System Accumulator: Access Door 196BB	15.65 m (51.35 ft)		0.25 m (0.82 ft)	1.74 m (5.71 ft)
Green System Accumulator: Left MLG Door	16.77 m (55.02 ft)	0.25 m (0.82 ft)		3.20 m (10.50 ft)
Blue System Accumulator: Access Door 195BB	15.65 m (51.35 ft)	0.25 m (0.82 ft)		1.74 m (5.71 ft)
Yellow System Braking Accumulator: Access Door 196BB	15.65 m (51.35 ft)		0.25 m (0.82 ft)	1.74 m (5.71 ft)

4. Reservoir Filling

Centralized filling capability on the Green System ground service panel:

ACCESS	DISTANCE			
	AFT OF NOSE	FROM AIRCRAFT CENTERLINE		MEAN HEIGHT FROM GROUND
		LH SIDE	RH SIDE	
Access Door 197CB	19.17 m (62.89 ft)	1.27 m (4.17 ft)		1.76 m (5.77 ft)

Filling: Ground pressurized supply or hand pump.

5. Reservoir Drain

Three 3/8 in. self-sealing connections:

ACCESS	DISTANCE			
	AFT OF NOSE	FROM AIRCRAFT CENTERLINE		MEAN HEIGHT FROM GROUND
		LH SIDE	RH SIDE	
Yellow System:	15.65 m		0.25 m	1.74 m

ACCESS	DISTANCE			
	AFT OF NOSE	FROM AIRCRAFT CENTERLINE		MEAN HEIGHT FROM GROUND
		LH SIDE	RH SIDE	
Access Door 196BB	(51.35 ft)		(0.82 ft)	(5.71 ft)
Green System: Left MLG Door	16.77 m (55.02 ft)	0.25 m (0.82 ft)		3.20 m (10.50 ft)
Blue System: Access Door 197EB	20.22 m (66.34 ft)	1.27 m (4.17 ft)		1.76 m (5.77 ft)

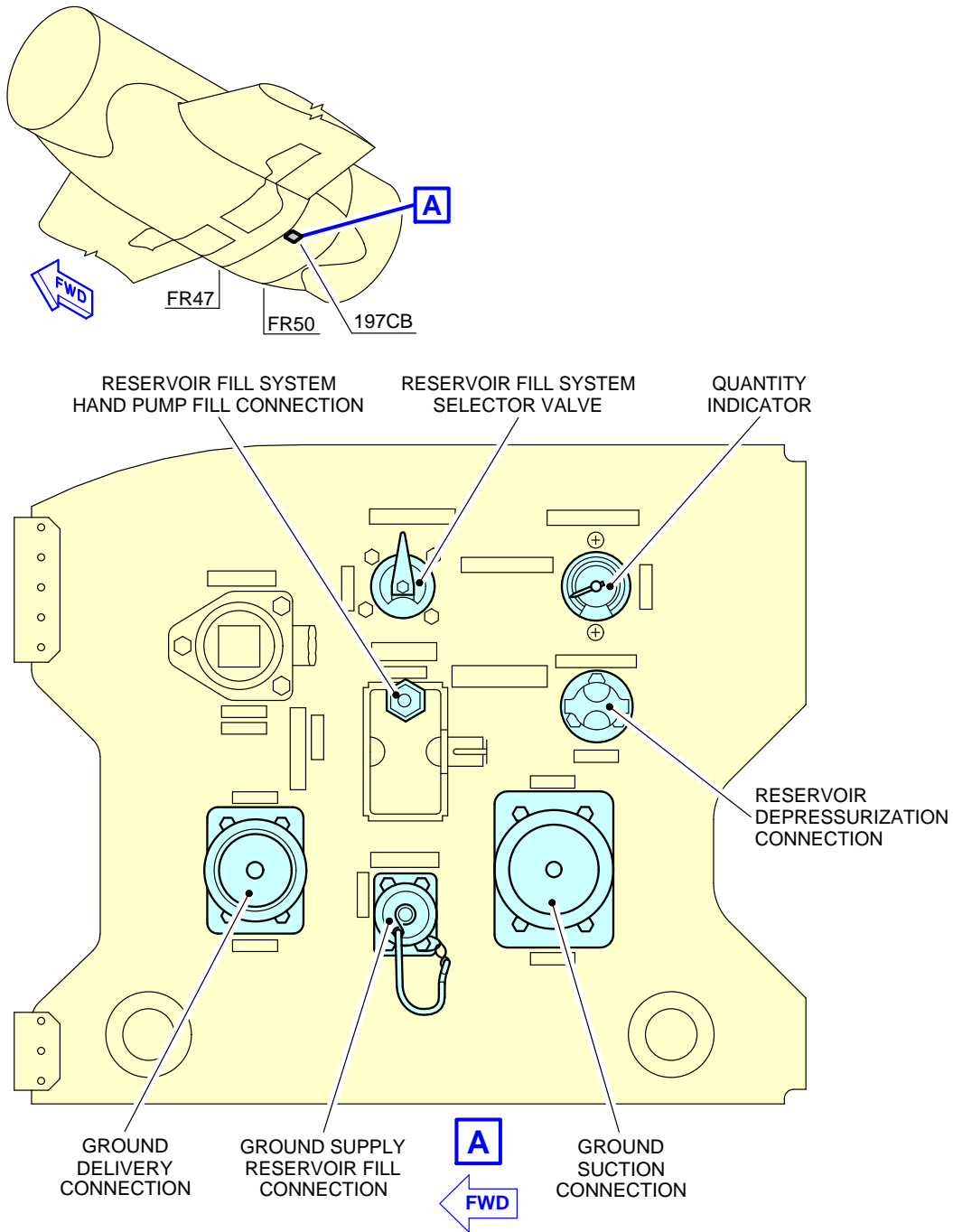
NOTE : The drain valve is on the Blue System ground service panel for the reservoir of the Blue hydraulic system.  
The drain valve is on the reservoir for the Green and Yellow Hydraulic Systems.

6. Ground Test

On each ground service panel:

- One self-sealing connector (suction).
- One self-sealing connector (delivery).

**\*\*ON A/C A320-200 A320neo**

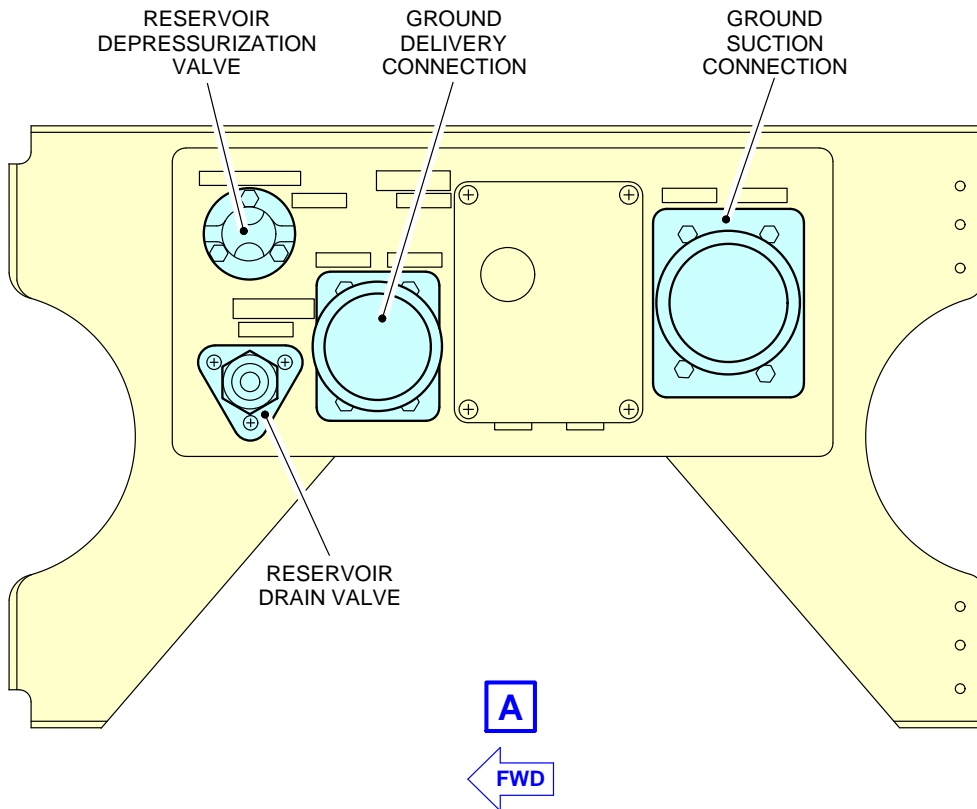
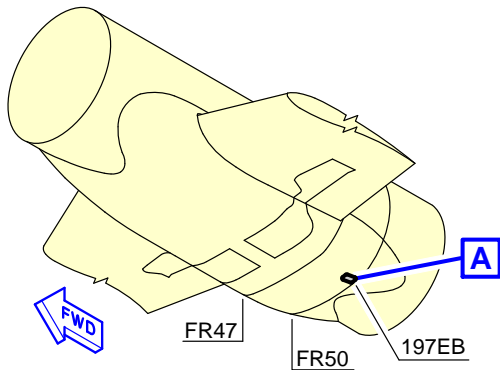


N\_AC\_050403\_1\_0040101\_01\_01

Ground Service Connections  
Green System Ground Service Panel  
FIGURE-5-4-3-991-004-A01



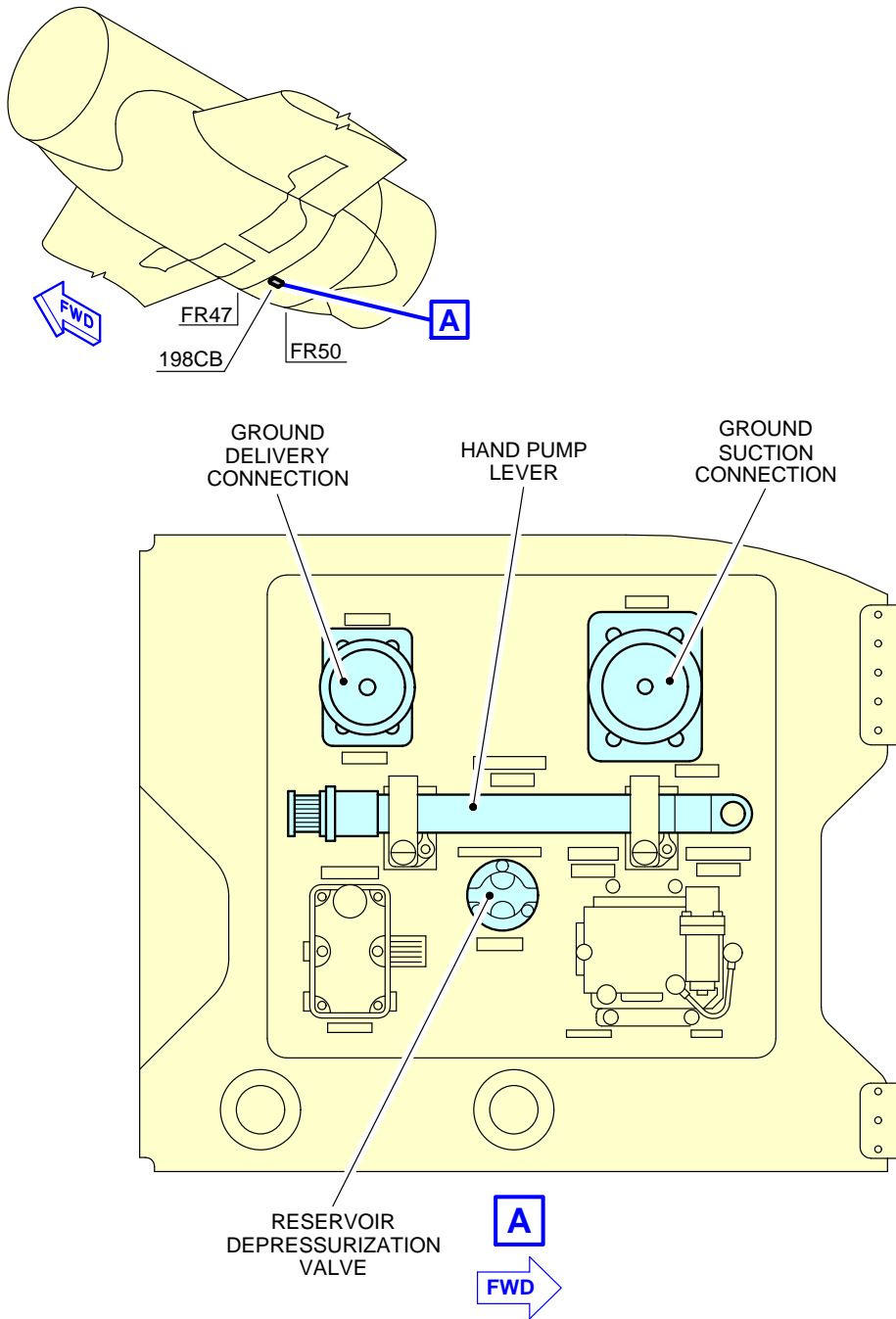
**\*\*ON A/C A320-200 A320neo**



N\_AC\_050403\_1\_0050101\_01\_01

Ground Service Connections  
Blue System Ground Service Panel  
FIGURE-5-4-3-991-005-A01

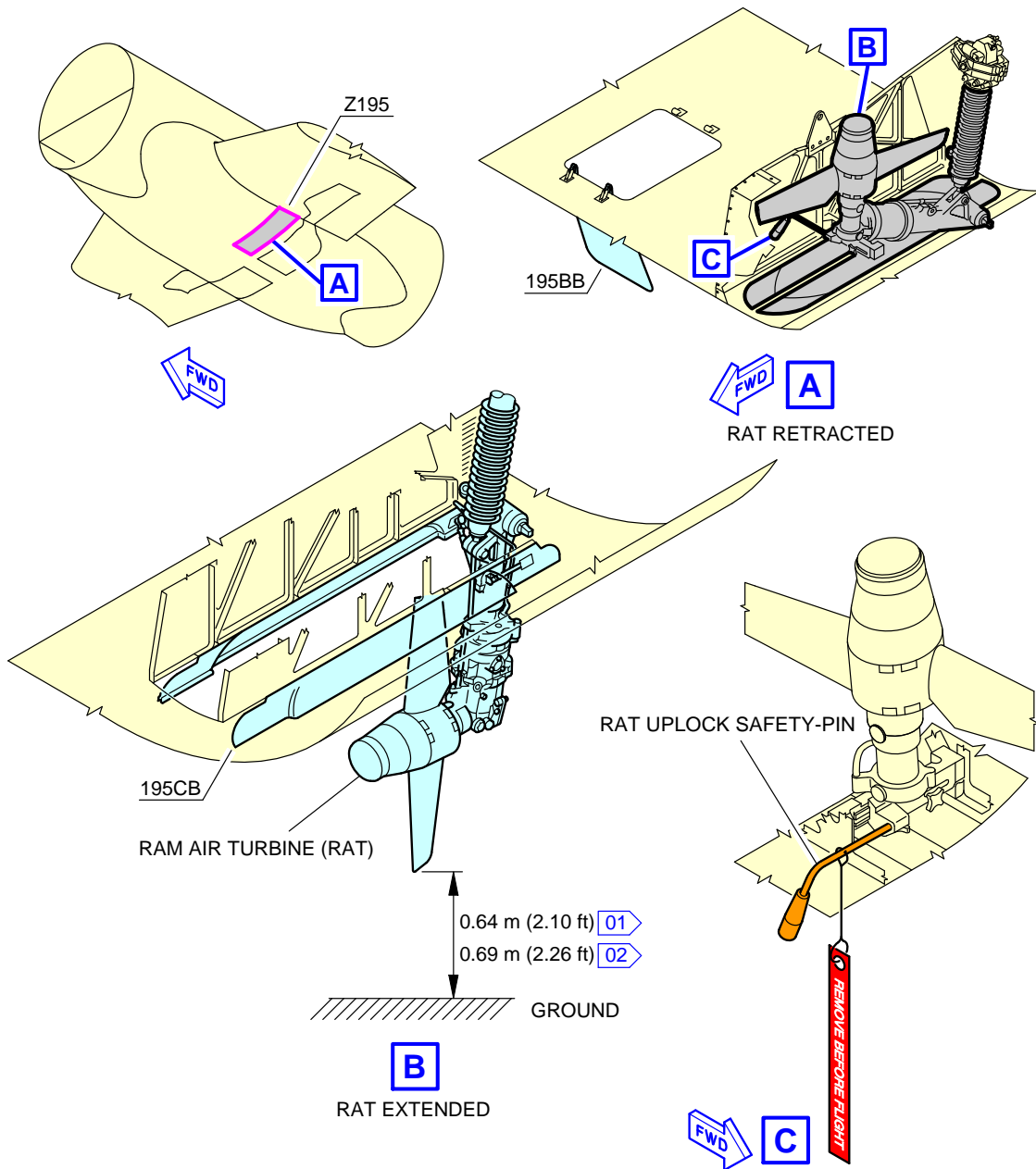
**\*\*ON A/C A320-200 A320neo**



N\_AC\_050403\_1\_0060101\_01\_01

Ground Service Connections  
Yellow System Ground Service Panel  
FIGURE-5-4-3-991-006-A01

**\*\*ON A/C A320-200 A320neo**



**NOTE:**

**01** FOR A318, A319 AND A320

**02** FOR A321

N\_AC\_050403\_1\_0070101\_01\_00

Ground Service Connections  
RAT  
FIGURE-5-4-3-991-007-A01

**5-4-4 Electrical System**

**\*\*ON A/C A320-200 A320neo**

Electrical System

1. Electrical System

This chapter provides data related to the location of the ground service connections.

ACCESS	DISTANCE			MEAN HEIGHT FROM GROUND
	AFT OF NOSE	FROM AIRCRAFT CENTERLINE		
		LH SIDE	RH SIDE	
A/C External Power: Access Door 121AL	2.55 m (8.37 ft)	On centerline		2.00 m (6.56 ft)

NOTE : Distances are approximate.

2. Technical Specifications

A. External Power Receptacle:

- One receptacle according to MS 90362-3 (without shield MS 17845-1) – 90 kVA.

NOTE : Make sure that for connectors featuring micro switches, the connector is chamfered to properly engage in the receptacle.

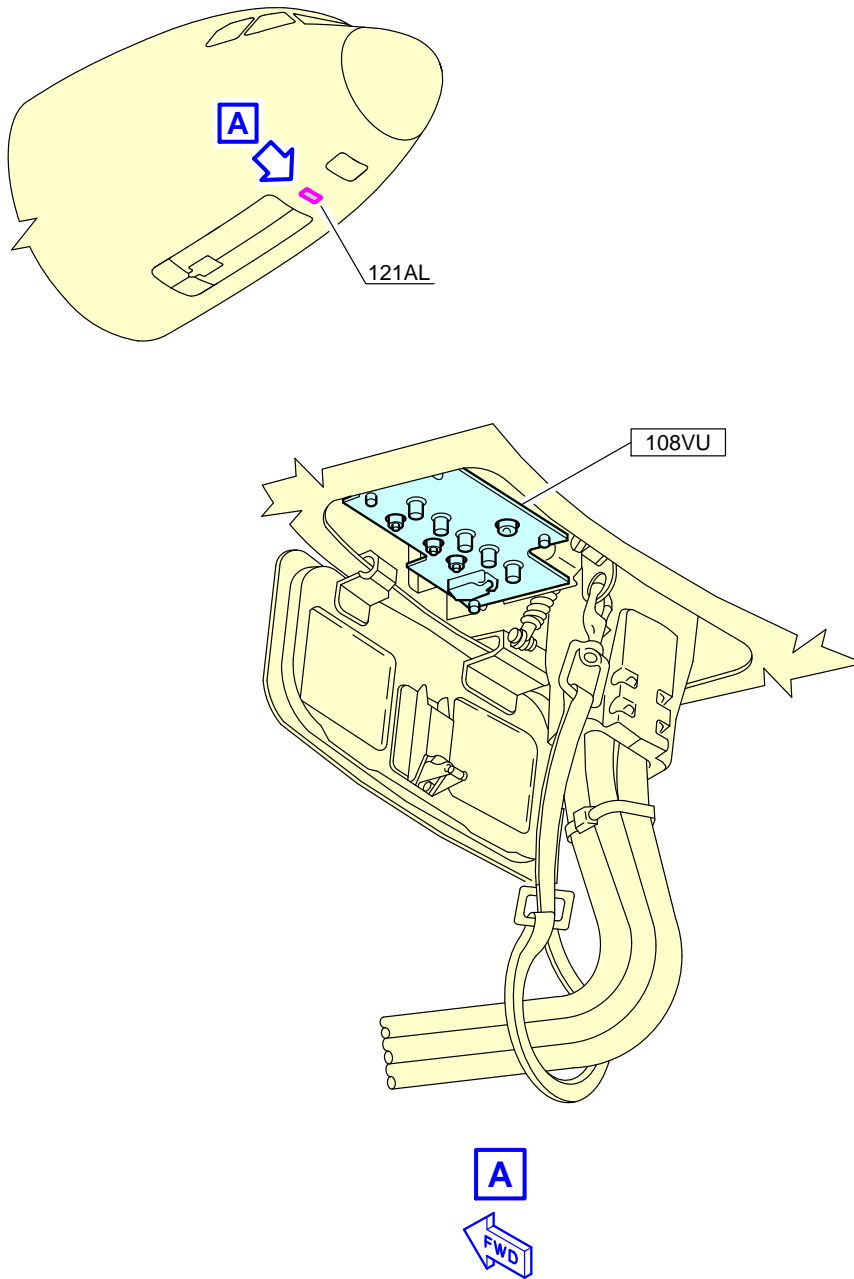
B. Power Supply:

- Three-phase, 115/200V, 400 Hz.

C. Electrical Connectors for Servicing:

- AC outlets: HUBBELL 5258
- DC outlets: HUBBELL 7472.

**\*\*ON A/C A320-200 A320neo**



N\_AC\_050404\_1\_0010101\_01\_01

Ground Service Connections  
External Power Receptacles  
FIGURE-5-4-4-991-001-A01

**5-4-5 Oxygen System**

**\*\*ON A/C A320-200 A320neo**

Oxygen System

1. Oxygen System

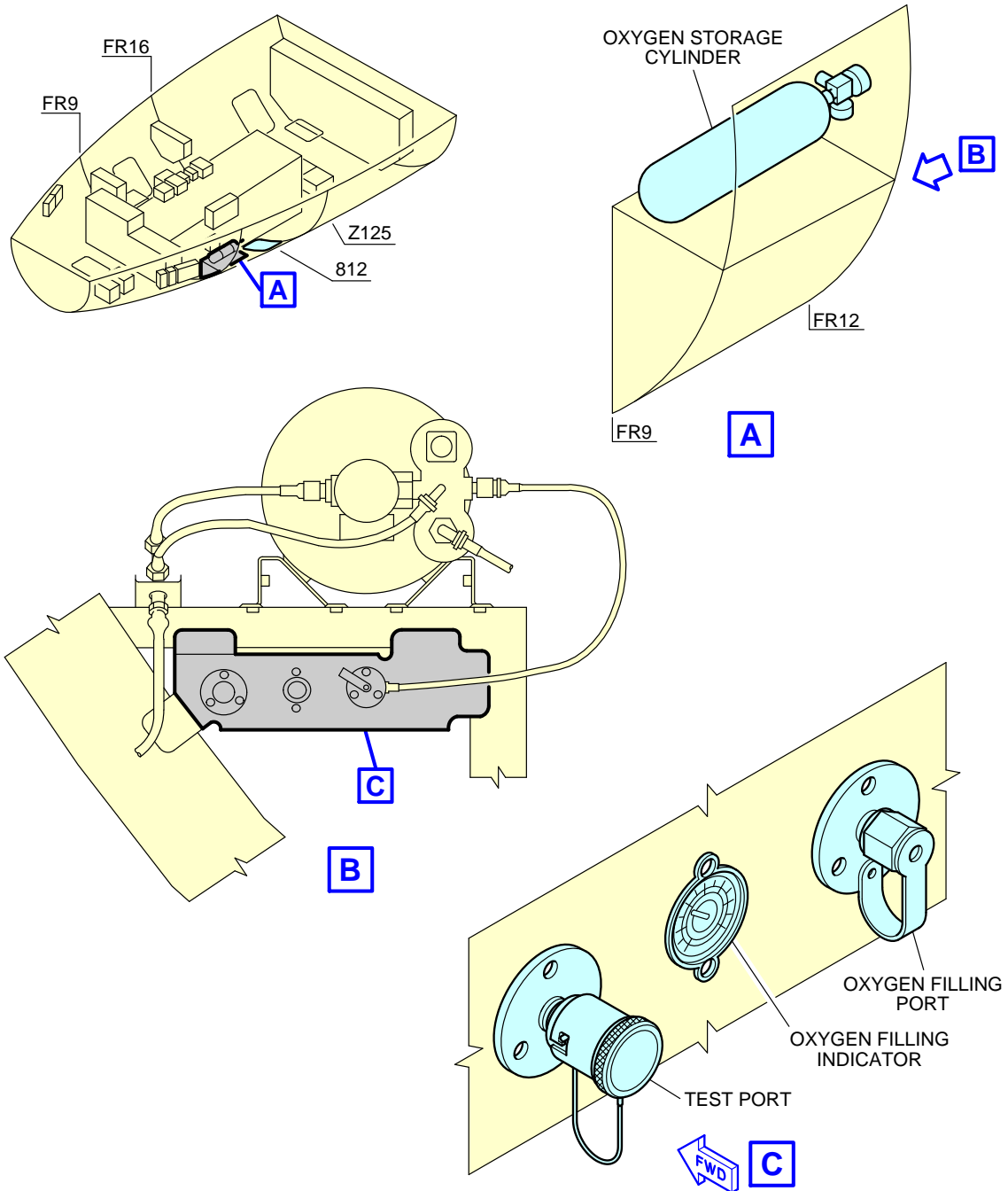
ACCESS	DISTANCE			MEAN HEIGHT FROM GROUND
	AFT OF NOSE	FROM AIRCRAFT CENTERLINE		
		LH SIDE	RH SIDE	
Oxygen Replenishment: Access Door 812	3.45 m (11.32 ft)	1.15 m (3.77 ft)	-	2.60 m (8.53 ft)

2. Technical Specifications

- One 3/8 in. MIL-DTL 7891 standard service connection.

NOTE : External charging in the avionics compartment.

**\*\*ON A/C A320-200 A320neo**



N\_AC\_050405\_1\_0010101\_01\_00

Ground Service Connections  
Oxygen System  
FIGURE-5-4-5-991-001-A01

**5-4-6 Fuel System**

**\*\*ON A/C A320-200 A320neo**

Fuel System

1. Refuel/Defuel Control Panel

ACCESS	DISTANCE			
	AFT OF NOSE	POSITION FROM AIRCRAFT CENTERLINE		MEAN HEIGHT FROM GROUND
		LH SIDE	RH SIDE	
Refuel/Defuel Integrated Panel: Access Door 192MB	16.4 m (53.81 ft)	-	1.8 m (5.91 ft)	1.8 m (5.91 ft)

2. Refuel/Defuel Connectors

ACCESS	DISTANCE			
	AFT OF NOSE	POSITION FROM AIRCRAFT CENTERLINE		MEAN HEIGHT FROM GROUND
		LH SIDE	RH SIDE	
Refuel/Defuel Coupling, Left: Access Panel 522HB (Optional)	17.59 m (57.71 ft)	9.83 m (32.25 ft)	-	3.65 m (11.98 ft)
Refuel/Defuel Coupling, Right: Access Panel 622HB	17.59 m (57.71 ft)	-	9.83 m (32.25 ft)	3.65 m (11.98 ft)
Overwing Gravity-Refuel Cap	19.1 m (62.66 ft)	12.4 m (40.68 ft)	12.4 m (40.68 ft)	3.7 m (12.14 ft)

A. Refuel/Defuel Couplings:

- Right wing: one standard ISO 45, 2.5 in.
- Left wing: one optional standard ISO 45, 2.5 in.



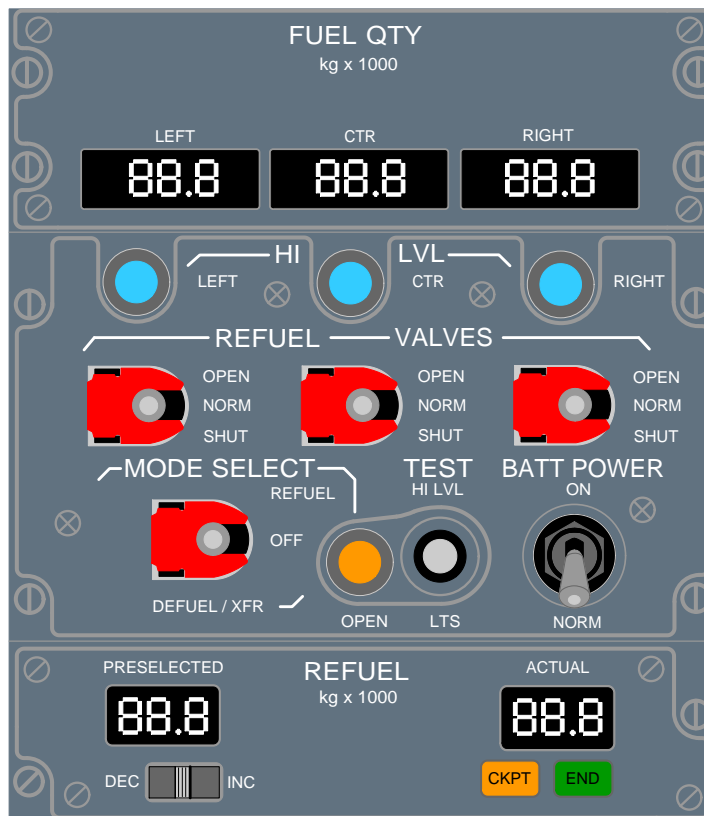
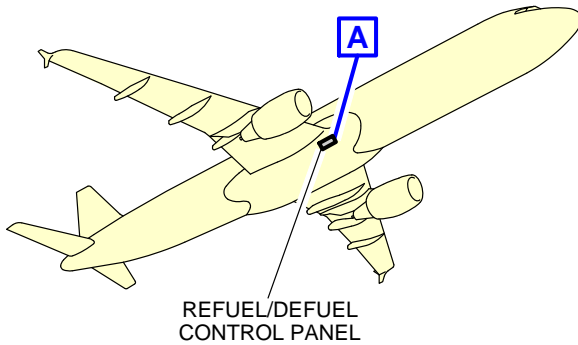
- B. Refuel Pressure:
  - Maximum pressure: 3.45 bar (50 psi).
- C. Average Flow Rate:
  - 1250 l/min (330 US gal/min).

3. Overpressure Protectors and NACA Vent Intake

ACCESS	DISTANCE			
	AFT OF NOSE	POSITION FROM AIRCRAFT CENTERLINE		MEAN HEIGHT FROM GROUND
		LH SIDE	RH SIDE	
Surge Tank Overpressure-Protector: Access Panel 550CB (650CB)	20.36 m (66.80 ft)	14.9 m (48.88 ft)	14.9 m (48.88 ft)	4.32 m (14.17 ft)
Inner Cell Overpressure-Protector: Access Panel 540HB (640HB)	19.5 m (63.98 ft)	9.19 m (30.15 ft)	9.19 m (30.15 ft)	4.1 m (13.45 ft)
NACA Vent Intake: Access Panel 550AB (650AB)	19.8 m (64.96 ft)	13.7 m (44.95 ft)	13.7 m (44.95 ft)	4.02 m (13.19 ft)

NOTE : Distances are approximate.

**\*\*ON A/C A320-200 A320neo**



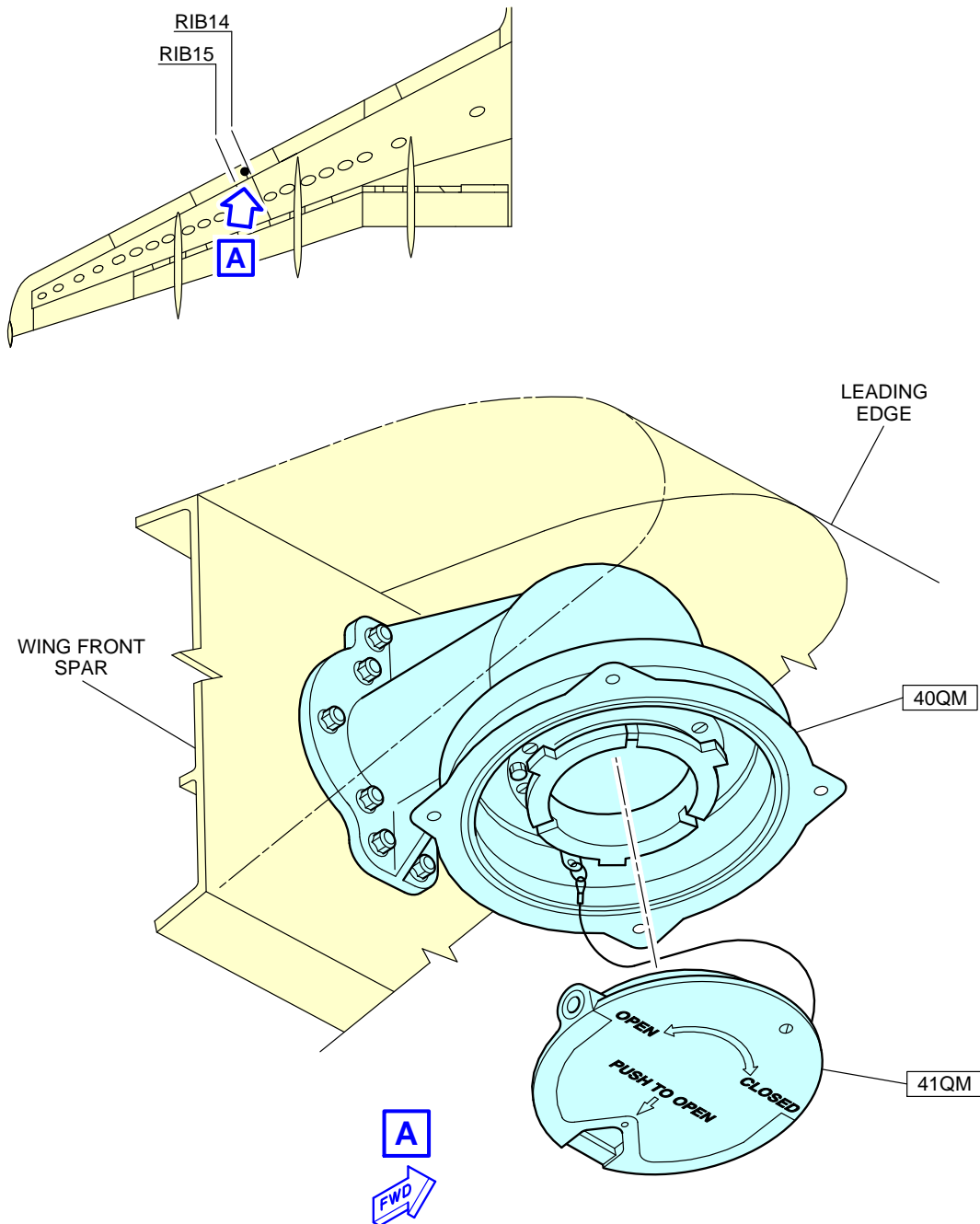
**A**

**NOTE:** STANDARD CONFIGURATION OF REFUEL/DEFUEL PANEL.

N\_AC\_050406\_1\_0010101\_01\_00

Ground Service Connections  
Refuel/Defuel Control Panel  
FIGURE-5-4-6-991-001-A01

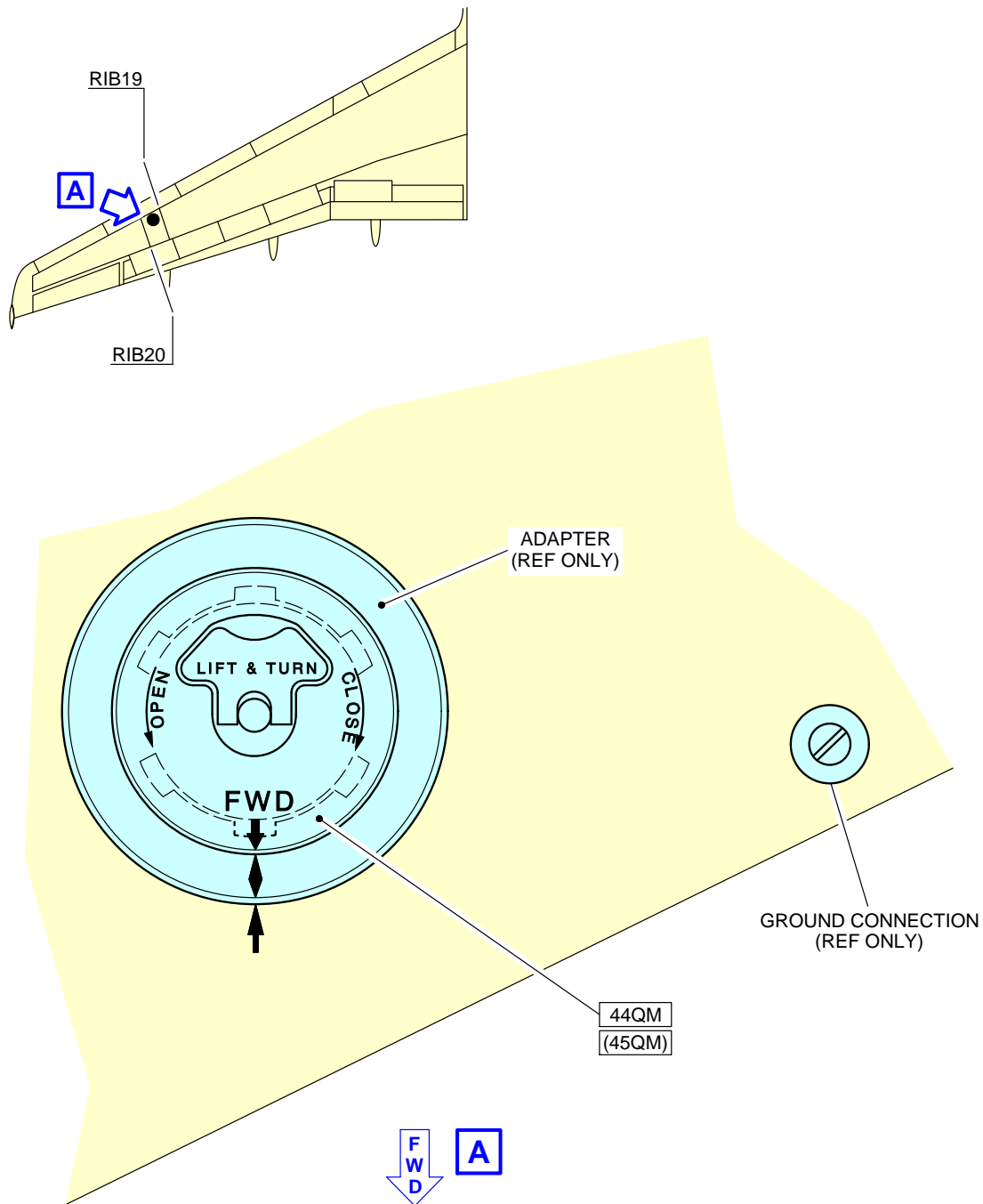
**\*\*ON A/C A320-200 A320neo**



N\_AC\_050406\_1\_0020101\_01\_00

Ground Service Connections  
Refuel/Defuel Couplings  
FIGURE-5-4-6-991-002-A01

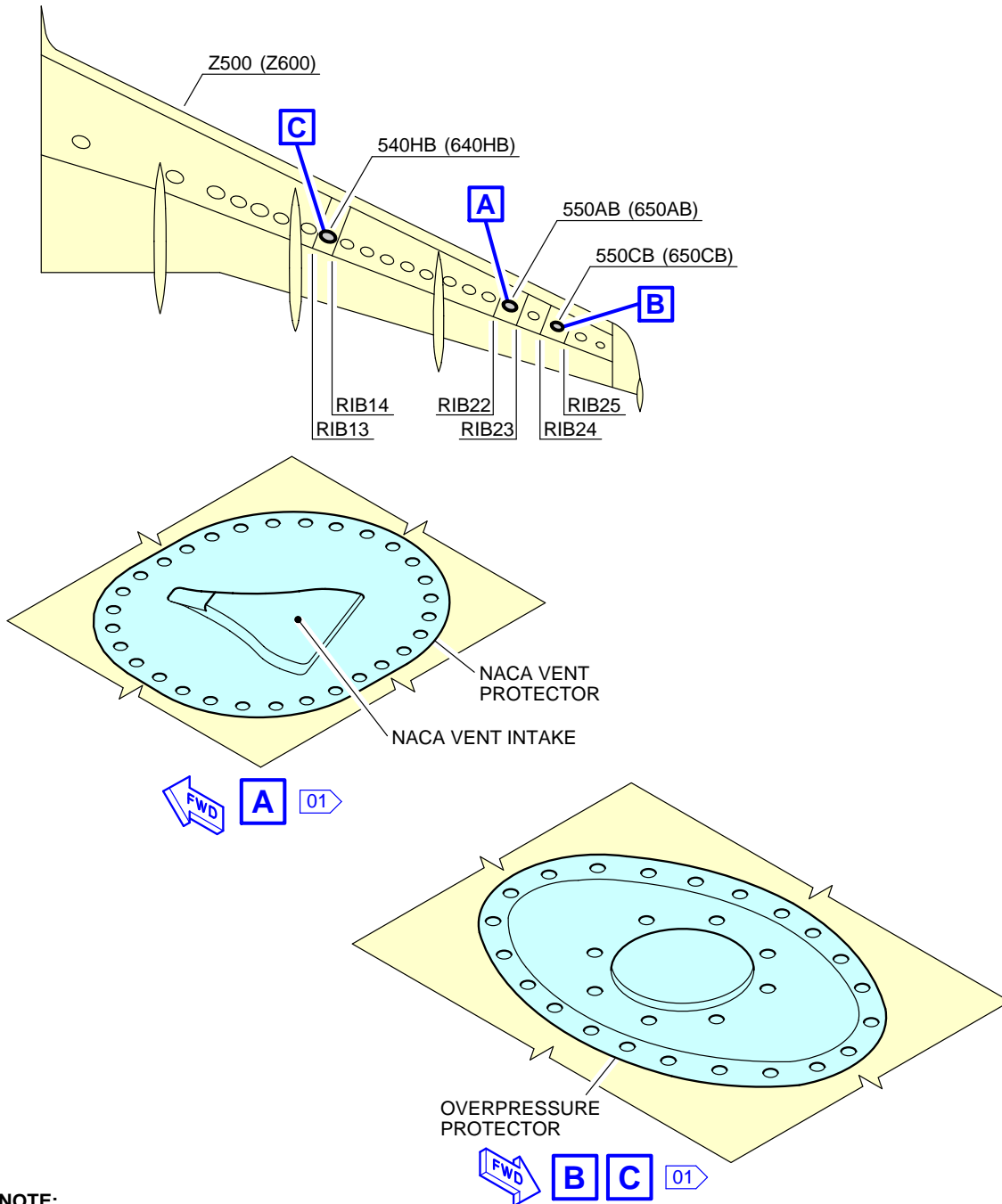
**\*\*ON A/C A320-200 A320neo**



N\_AC\_050406\_1\_0030101\_01\_00

Ground Service Connections  
Overwing Gravity-Refuel Cap (If Installed)  
FIGURE-5-4-6-991-003-A01

**\*\*ON A/C A320-200 A320neo**



**NOTE:**  
 01 LH SHOWN, RH SYMMETRICAL

N\_AC\_050406\_1\_0040101\_01\_01

Ground Service Connections  
 Overpressure Protectors and NACA Vent Intake  
 FIGURE-5-4-6-991-004-A01

**5-4-7 Pneumatic System**

**\*\*ON A/C A320-200 A320neo**

Pneumatic System

1. High Pressure Air Connector

ACCESS	DISTANCE			MEAN HEIGHT FROM GROUND
	AFT OF NOSE	FROM AIRCRAFT CENTERLINE		
		LH SIDE	RH SIDE	
HP Connector: Access Door 191DB	12.98 m (42.59 ft)	0.84 m (2.76 ft)	-	1.76 m (5.77 ft)

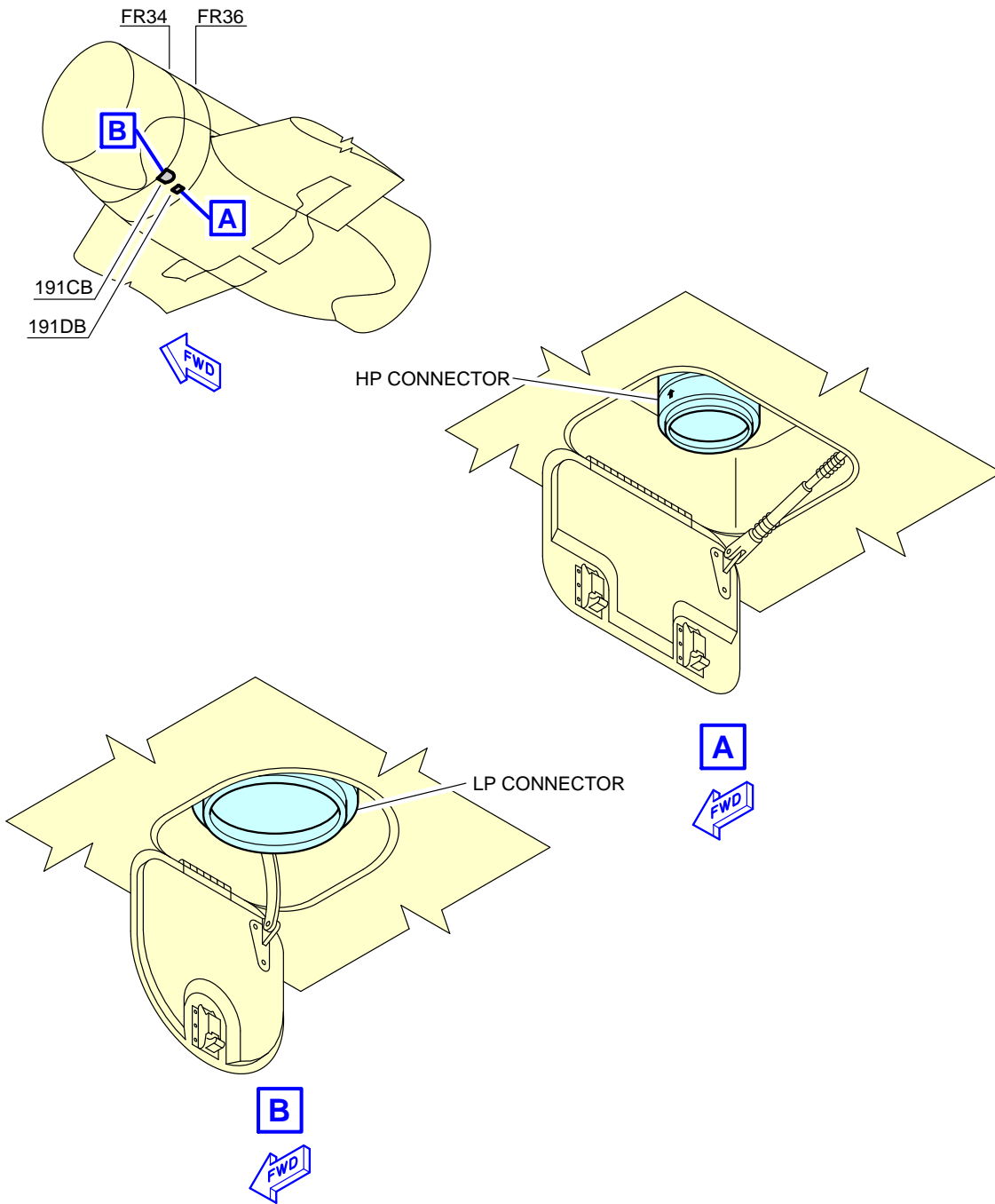
- A. Connector:  
- One standard 3 in. ISO 2026 connection.

2. Low Pressure Air Connector

ACCESS	DISTANCE			MEAN HEIGHT FROM GROUND
	AFT OF NOSE	FROM AIRCRAFT CENTERLINE		
		LH SIDE	RH SIDE	
LP Connector: Access Door 191CB	12.45 m (40.85 ft)	1.11 m (3.64 ft)	-	1.73 m (5.68 ft)

- A. Connector:  
- One standard 8 in. SAE AS4262 connection.

**\*\*ON A/C A320-200 A320neo**



N\_AC\_050407\_1\_0010101\_01\_00

Ground Service Connections  
LP and HP Ground Connectors  
FIGURE-5-4-7-991-001-A01

**5-4-8 Oil System**

**\*\*ON A/C A320-200 A320neo**

Oil System

**\*\*ON A/C A320-200**

1. Engine Oil Replenishment for CFM56 Series Engine (See FIGURE 5-4-8-991-003-A):  
One gravity filling cap and one pressure filling connection per engine.

ACCESS	DISTANCE			
	AFT OF NOSE	FROM AIRCRAFT CENTERLINE		MEAN HEIGHT FROM GROUND
		ENGINE 1 (LH)	ENGINE 2 (RH)	
Engine oil gravity-filling-cap: Access door: 437BL (LH), 447BL (RH)	13.12 m (43.04 ft)	6.63 m (21.75 ft)	4.82 m (15.81 ft)	1.46 m (4.79 ft)
Engine oil pressure-filling-port:	13.00 m (42.65 ft)	6.49 m (21.29 ft)	4.74 m (15.55 ft)	1.42 m (4.66 ft)

NOTE : Distances are approximate.

- A. Tank capacity:
  - Full level: 19.6 l (5 US gal),
  - Usable: 9.46 l (3 US gal).
- B. Maximum delivery pressure required: 1.72 bar (25 psi).  
Maximum delivery flow required: 180 l/h (48 US gal/h).

2. IDG Oil Replenishment for CFM56 Series Engine (See FIGURE 5-4-8-991-004-A):  
One pressure filling connection per engine: OMP 2506-18 plus one connection overflow: OMP 2505-18.

ACCESS	DISTANCE			
	AFT OF NOSE	FROM AIRCRAFT CENTERLINE		MEAN HEIGHT FROM GROUND
		ENGINE 1 (LH)	ENGINE 2 (RH)	
IDG oil-pressure-filling connection: Access door: 438AR (LH),	12.20 m (40.03 ft)	6.90 m (22.64 ft)	5.52 m (18.11 ft)	0.68 m (2.23 ft)



ACCESS	DISTANCE			
	AFT OF NOSE	FROM AIRCRAFT CENTERLINE		MEAN HEIGHT FROM GROUND
		ENGINE 1 (LH)	ENGINE 2 (RH)	
448AR (RH)				

**NOTE :** Distances are approximate.

- A. Tank capacity: 5 l (1 US gal).
- B. Delivery pressure required: 0.34 bar (5 psi) to 2.76 bar (40 psi) at the IDG inlet.

3. Starter Oil Replenishment for CFM56 Series Engine (See FIGURE 5-4-8-991-005-A):  
One gravity filling cap per engine.

ACCESS	DISTANCE			
	AFT OF NOSE	FROM AIRCRAFT CENTERLINE		MEAN HEIGHT FROM GROUND
		ENGINE 1 (LH)	ENGINE 2 (RH)	
Starter-oil filling connection:	12.70 m (41.67 ft)	5.30 m (17.39 ft)	6.20 m (20.34 ft)	0.76 m (2.49 ft)

**NOTE :** Distances are approximate.

- A. Tank capacity: 0.8 l (0.21 US gal).

4. Engine Oil Replenishment for IAE V2500 Series Engine (See FIGURE 5-4-8-991-006-B):  
One gravity filling cap per engine.

ACCESS	DISTANCE			
	AFT OF NOSE	FROM AIRCRAFT CENTERLINE		MEAN HEIGHT FROM GROUND
		ENGINE 1 (LH)	ENGINE 2 (RH)	
Engine oil gravity-filling-cap: Access door: 437BL (LH), 447BL (RH)	12.24 m (40.16 ft)	6.56 m (21.52 ft)	4.92 m (16.14 ft)	1.22 m (4.00 ft)

**NOTE :** Distances are approximate.

- A. Tank capacity:
  - Full level: 28 l (7 US gal),

- Usable: 23.50 l (6 US gal).

5. IDG Oil Replenishment for IAE V2500 Series Engine (See FIGURE 5-4-8-991-007-B):  
One pressure filling connection per engine: OMP 2506-2 plus one overflow connection: OMP 2505-2.

ACCESS	DISTANCE			
	AFT OF NOSE	FROM AIRCRAFT CENTERLINE		MEAN HEIGHT FROM GROUND
		ENGINE 1 (LH)	ENGINE 2 (RH)	
IDG oil-pressure-filling connection:	12.80 m (41.99 ft)	5.42 m (17.78 ft)	6.04 m (19.82 ft)	0.80 m (2.62 ft)

NOTE : Distances are approximate.

A. Tank capacity: 4.10 l (1 US gal).

6. Starter Oil Replenishment for IAE V2500 Series Engine (See FIGURE 5-4-8-991-008-B):  
One gravity filling cap per engine.

ACCESS	DISTANCE			
	AFT OF NOSE	FROM AIRCRAFT CENTERLINE		MEAN HEIGHT FROM GROUND
		ENGINE 1 (LH)	ENGINE 2 (RH)	
Starter-oil filling connection:	15.40 m (50.52 ft)	5.30 m (17.39 ft)	6.14 m (20.14 ft)	0.75 m (2.46 ft)

NOTE : Distances are approximate.

A. Tank capacity: 0.35 l (0.09 US gal).

**\*\*ON A/C A320neo**

7. Engine Oil Replenishment for CFM LEAP-1A Series Engine (See FIGURE 5-4-8-991-010-A):  
One gravity filling cap and one pressure filling connection per engine.

ACCESS	DISTANCE			
	AFT OF NOSE	FROM AIRCRAFT CENTERLINE		MEAN HEIGHT FROM GROUND
		ENGINE 1 (LH)	ENGINE 2 (RH)	
Engine oil gravity-filling-cap: Access doors: 438BR and 448BR.	TBD	TBD	TBD	TBD

ACCESS	DISTANCE			
	AFT OF NOSE	FROM AIRCRAFT CENTERLINE		MEAN HEIGHT FROM GROUND
		ENGINE 1 (LH)	ENGINE 2 (RH)	
Engine oil pressure-filling-port: Access doors: 438BR and 448BR.	TBD	TBD	TBD	TBD

**NOTE :** Distances are approximate.

- A. Tank capacity:
- Full level: 23.45 l (6 US gal)
  - Usable: 18.7 l (5 US gal)
  - Consumable level: 7.7 l (2 US gal).

8. IDG Oil Replenishment for CFM LEAP-1A Series Engine (See FIGURE 5-4-8-991-011-A):

ACCESS	DISTANCE			
	AFT OF NOSE	FROM AIRCRAFT CENTERLINE		MEAN HEIGHT FROM GROUND
		ENGINE 1 (LH)	ENGINE 2 (RH)	
IDG oil-pressure-filling connection: Access doors: 437AL (LH), 438AR (LH), 447AL (RH) and 448AR (RH).	TBD	TBD	TBD	TBD

**NOTE :** Distances are approximate.

- A. IDG oil tank capacity: 5.7 l (2 US gal) (additional amount of 0.9 l (0.2 US gal) is necessary to ensure a complete filling).
- B. Maximum servicing pressure:
- 0.5 bar (7 psi), when "DESHONS" tool is used.
  - 2.41 bar (35 psi), when other tools are used.

9. Starter Oil Replenishment for CFM LEAP-1A Series Engine (See FIGURE 5-4-8-991-012-A):  
One gravity filling cap per engine.

ACCESS	DISTANCE			
	AFT OF NOSE	FROM AIRCRAFT CENTERLINE		MEAN HEIGHT FROM GROUND
		ENGINE 1 (LH)	ENGINE 2 (RH)	
Starter-oil filling connection: Access doors: 438BR and 448BR.	TBD	TBD	TBD	TBD

**NOTE :** Distances are approximate.

A. Tank capacity: 0.5 l (0.1 US gal).

10. Engine Oil Replenishment for PW 1100G Series Engine (See FIGURE 5-4-8-991-013-A):  
One gravity filling cap per engine.

ACCESS	DISTANCE			
	AFT OF NOSE	FROM AIRCRAFT CENTERLINE		MEAN HEIGHT FROM GROUND
		ENGINE 1 (LH)	ENGINE 2 (RH)	
Engine oil gravity-filling-cap: Access doors: 437BL and 447BL.	TBD	TBD	TBD	TBD

**NOTE :** Distances are approximate.

- A. Tank capacity:
- Full level: 33.02 l (9 US gal)
  - Usable: 9.08 l (2 US gal).

11. IDG Oil Replenishment for PW 1100G Series Engine (See FIGURE 5-4-8-991-014-A):

ACCESS	DISTANCE			
	AFT OF NOSE	FROM AIRCRAFT CENTERLINE		MEAN HEIGHT FROM GROUND
		ENGINE 1 (LH)	ENGINE 2 (RH)	
IDG oil-pressure-filling connection:	TBD	TBD	TBD	TBD

ACCESS	DISTANCE			
	AFT OF NOSE	FROM AIRCRAFT CENTERLINE		MEAN HEIGHT FROM GROUND
		ENGINE 1 (LH)	ENGINE 2 (RH)	
Access doors: 437AL (LH), 438AR (LH), 447AL (RH), 448AR (RH), 451AL (LH), 452AR (LH), 461AL (RH) and 462AR (RH).				

**NOTE :** Distances are approximate.

- A. IDG oil tank capacity: 5.4 l (1 US gal) plus 1.93 l (0.5 US gal) for external system (Air Oil Heat Exchanger / Oil Cooler).  
Usable capacity: 0.6 l (0.2 US gal).
- B. Maximum delivery pressure required: 2.41 bar (35 psi).  
Maximum delivery flow required: Not specified, based on the requirements from the supplier.

12. Starter Oil Replenishment for PW 1100G Series Engine (See FIGURE 5-4-8-991-015-A):  
One gravity filling cap per engine.

ACCESS	DISTANCE			
	AFT OF NOSE	FROM AIRCRAFT CENTERLINE		MEAN HEIGHT FROM GROUND
		ENGINE 1 (LH)	ENGINE 2 (RH)	
Starter oil-filling connection:	TBD	TBD	TBD	TBD

**NOTE :** Distances are approximate.

- A. Starter lubrication is a part of the engine oil system, no dedicated supply/tank.

**\*\*ON A/C A320-200 A320neo**

13. APU Oil System (See FIGURE 5-4-8-991-009-A):  
APU oil gravity-filling-cap.

ACCESS	DISTANCE			
	AFT OF NOSE	FROM AIRCRAFT CENTERLINE		MEAN HEIGHT FROM GROUND
		ENGINE 1 (LH)	ENGINE 2 (RH)	
GTCP 36-300	35.49 m	0.30 m	-	4.83 m

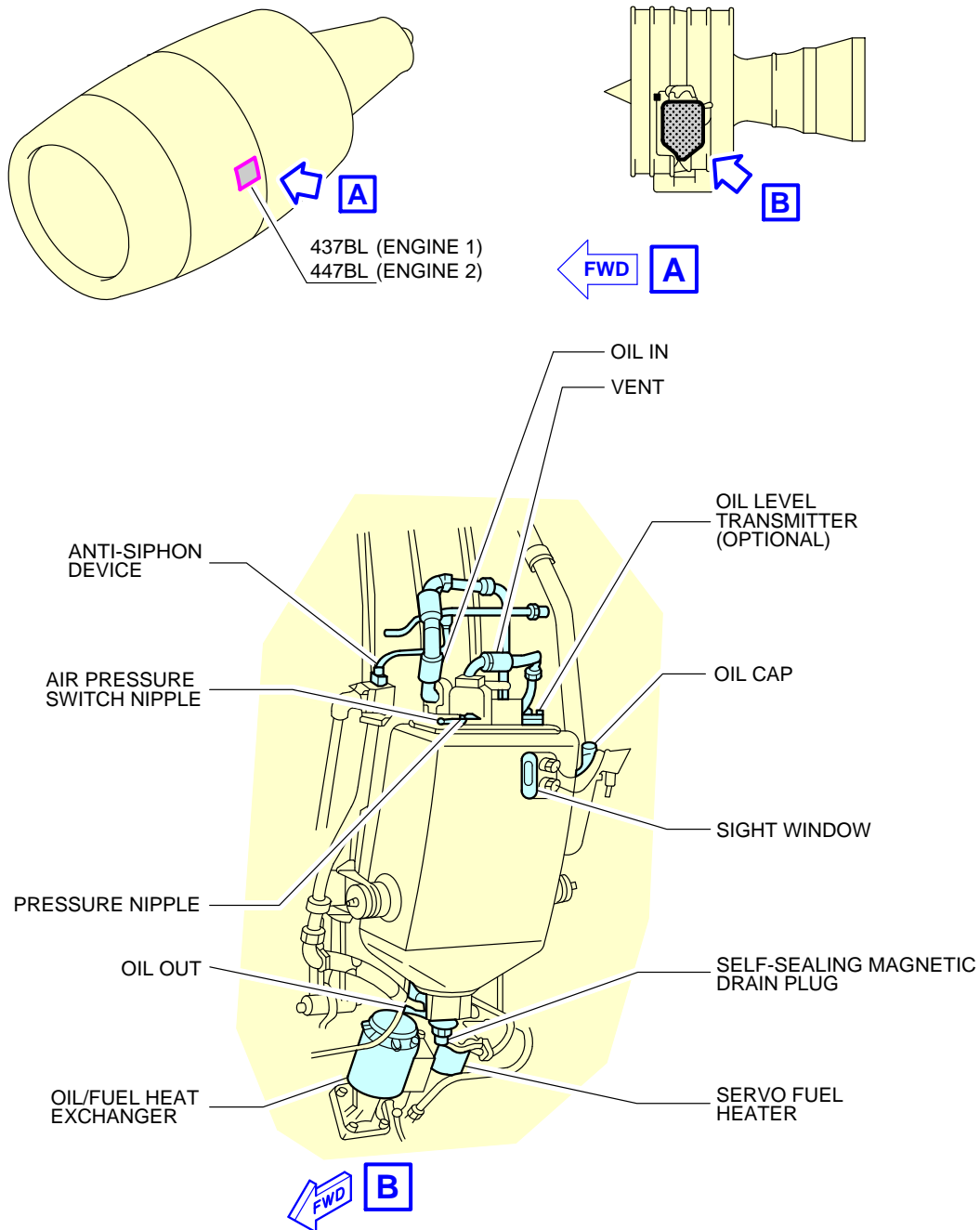
ACCESS	DISTANCE			MEAN HEIGHT FROM GROUND
	AFT OF NOSE	FROM AIRCRAFT CENTERLINE		
		ENGINE 1 (LH)	ENGINE 2 (RH)	
	(116.44 ft)	(0.98 ft)		(15.85 ft)
APS 3200	35.49 m (116.44 ft)	0.30 m (0.98 ft)	-	4.78 m (15.68 ft)
131-9	35.39 m (116.11 ft)	0.35 m (1.15 ft)	-	4.32 m (14.17 ft)

NOTE : Distances are approximate.

A. Tank capacity (usable):

- APU type GTCP 36-300: 6.20 l (2 US gal),
- APU type APS 3200: 5.40 l (1 US gal),
- APU type 131-9: 6.25 l (2 US gal).

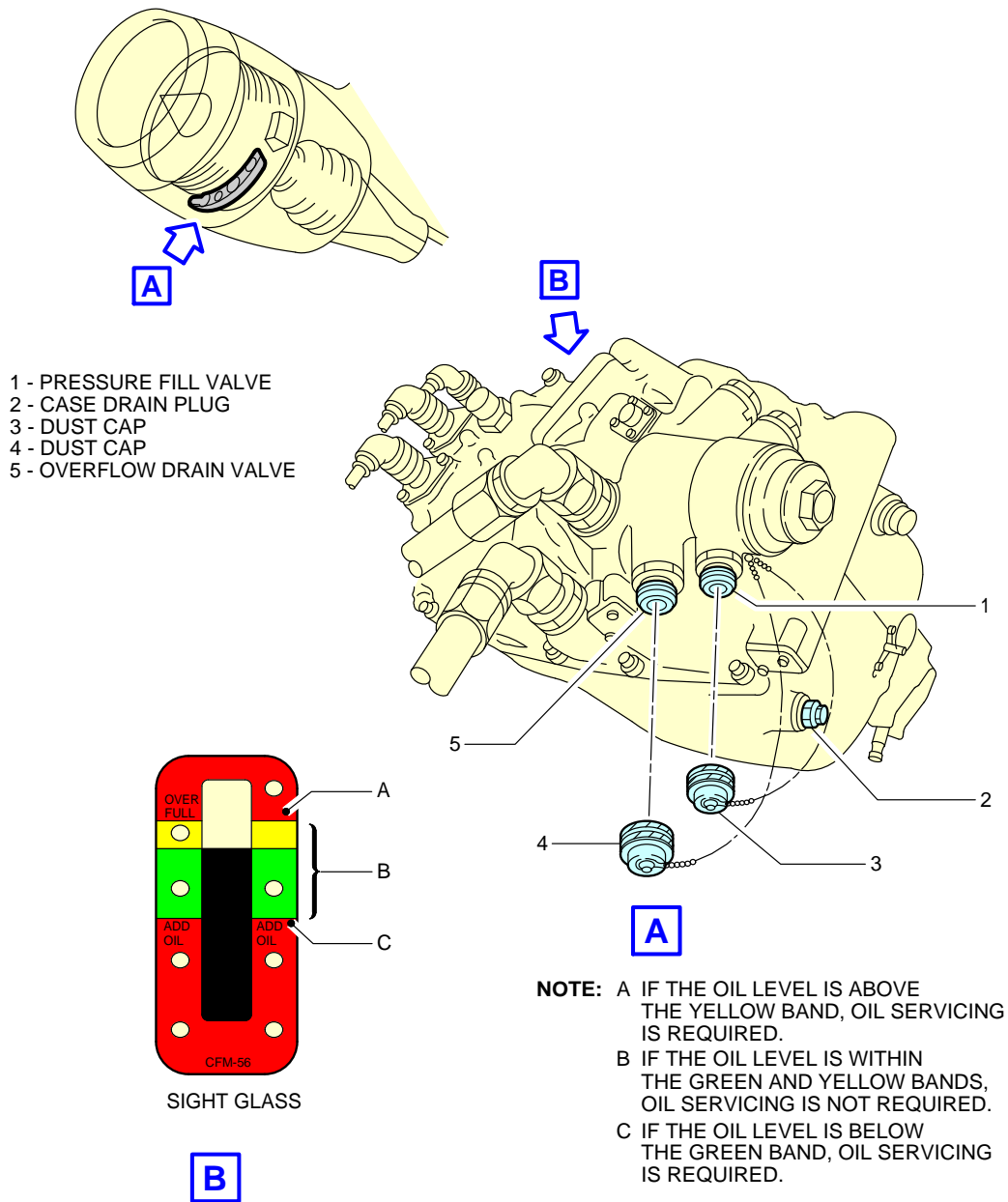
**\*\*ON A/C A320-200**



N\_AC\_050408\_1\_0030101\_01\_00

Ground Service Connections  
Engine Oil Tank – CFM56 Series Engine  
FIGURE-5-4-8-991-003-A01

**\*\*ON A/C A320-200**

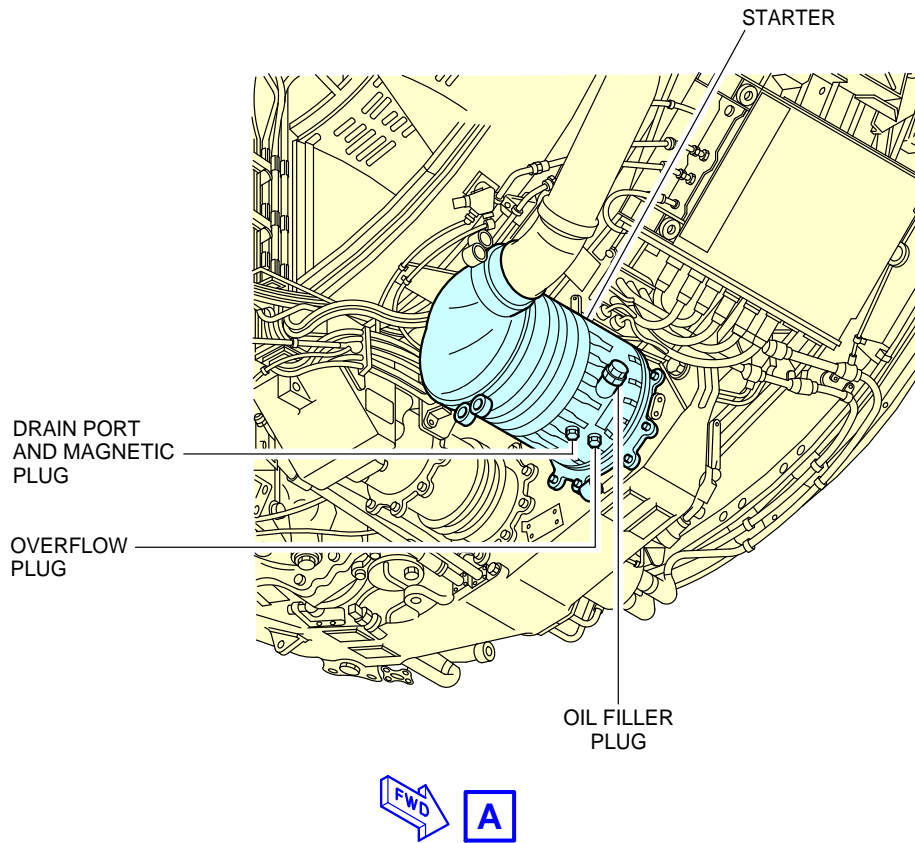
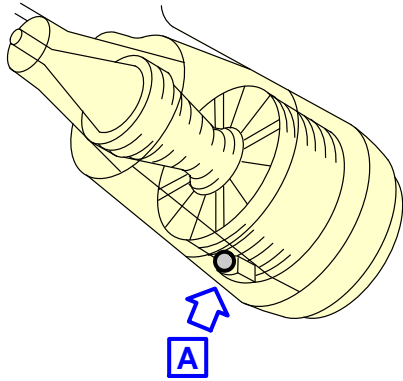


N\_AC\_050408\_1\_0040101\_01\_00

Ground Service Connections  
 IDG Oil Tank – CFM56 Series Engine  
 FIGURE-5-4-8-991-004-A01



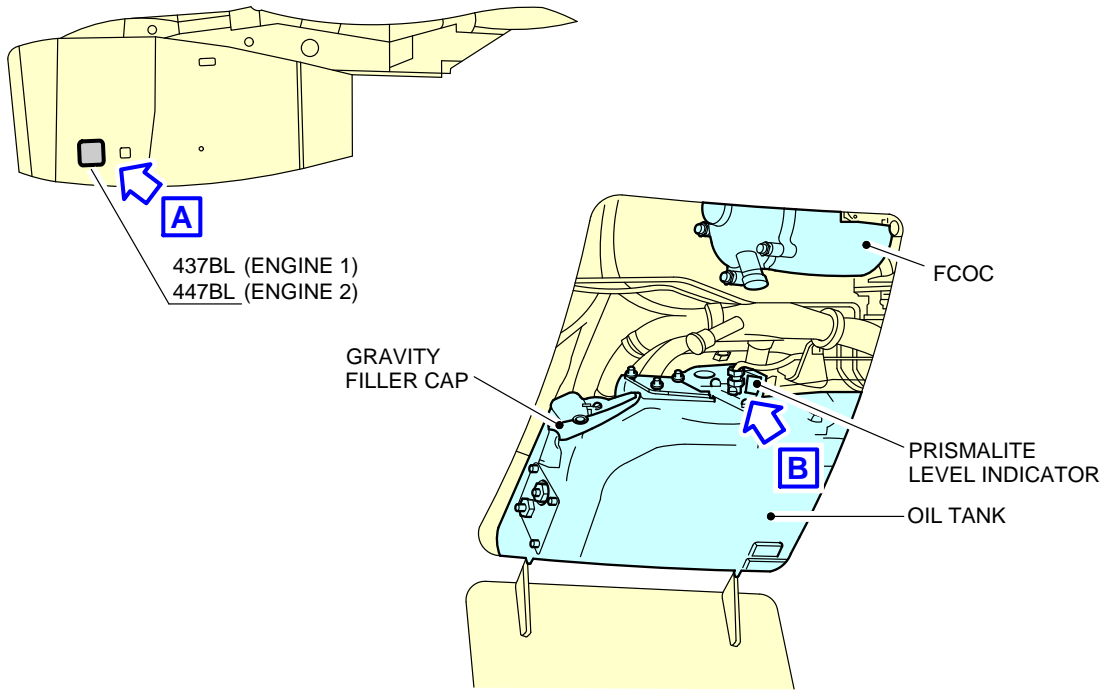
**\*\*ON A/C A320-200**



N\_AC\_050408\_1\_0050101\_01\_00

Ground Service Connections  
Starter Oil Tank – CFM56 Series Engine  
FIGURE-5-4-8-991-005-A01

**\*\*ON A/C A320-200**

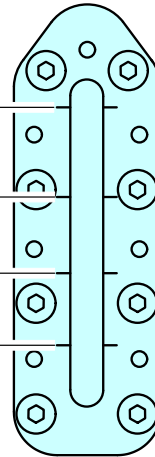


'FULL' LEVEL NOTCH  
 27.3 LT  
 29.0 US QTS  
 6.0 IMP GAL  
 (WITHIN 60 MIN FROM SHUTDOWN)

NOTCH '1'  
 26 LT  
 27 US QTS  
 5.7 IMP GAL

NOTCH '2'  
 23 LT  
 24 US QTS  
 5.1 IMP GAL

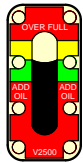
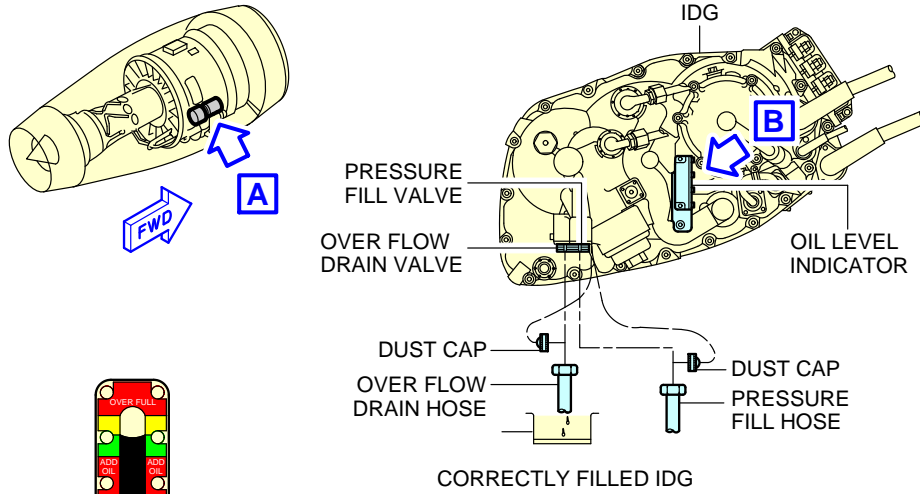
NOTCH '3'  
 20 LT  
 22 US QTS  
 4.5 IMP GAL



N\_AC\_050408\_1\_0060201\_01\_00

Ground Service Connections  
 Engine Oil Tank – IAE V2500 Series Engine  
 FIGURE-5-4-8-991-006-B01

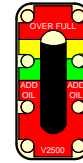
**\*\*ON A/C A320-200**



**B**

AFTER SERVICING OR  
ENGINE SHUTDOWN  
(COLD OIL/IDG)

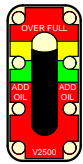
OIL LEVEL MUST BE AT OR NEAR  
THE LINE BETWEEN THE YELLOW BAND  
AND THE GREEN BAND



**B**

AFTER ENGINE  
SHUTDOWN  
(HOT OIL/IDG)

OIL LEVEL CAN BE  
IN THE GREEN BAND OR THE  
YELLOW BAND



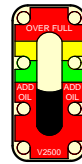
**B**

AFTER SERVICING OR  
ENGINE SHUTDOWN  
(COLD OIL/IDG)

THE OIL LEVEL MUST NOT BE IN  
THE YELLOW BAND BUT IT CAN  
BE IMMEDIATELY ABOVE THE  
LOWER LIMIT OF THE YELLOW  
BAND BECAUSE OF THE AIRCRAFT  
RAMP ANGLE

DO THE IDG SERVICING  
TO GET THE CORRECT IDG  
OIL LEVEL.

INCORRECTLY FILLED IDG



**B**

AT ALL TIMES  
(HOT OR COLD OIL/IDG)

THE OIL LEVEL MUST NOT BE  
IN THE RED BAND

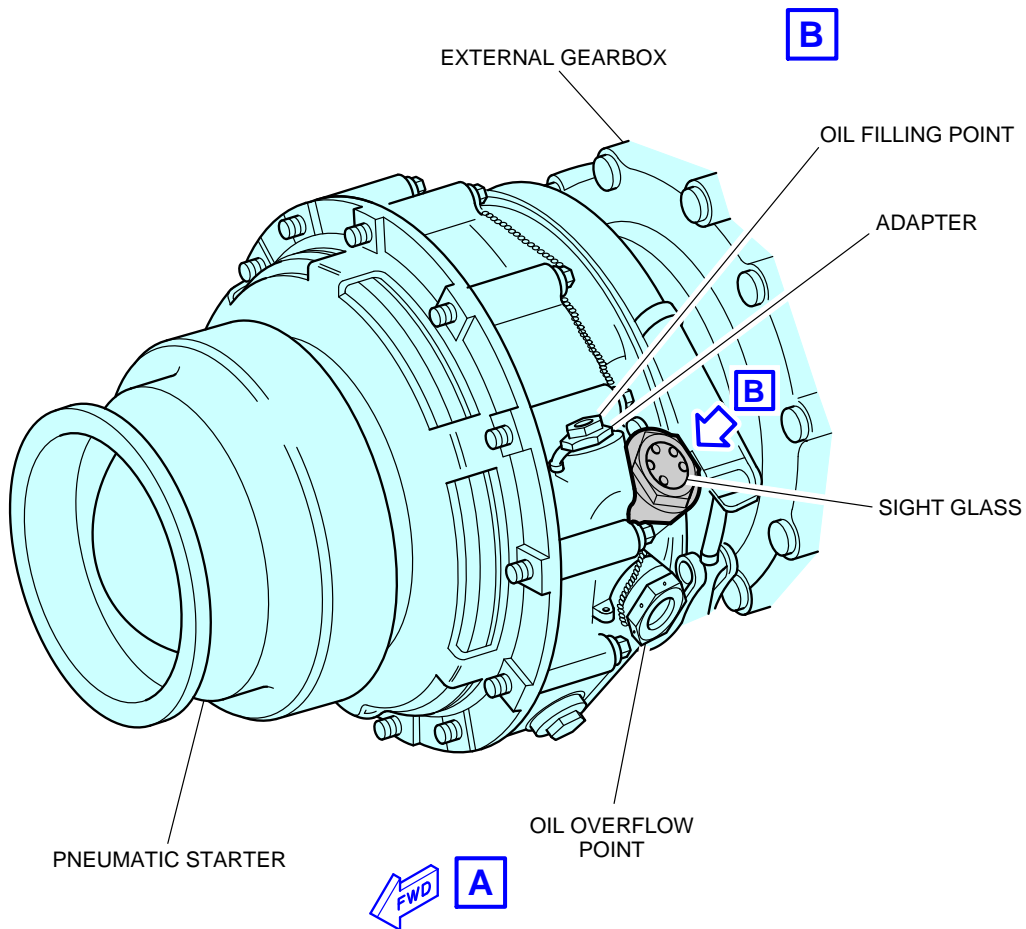
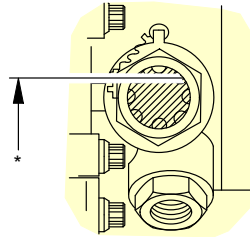
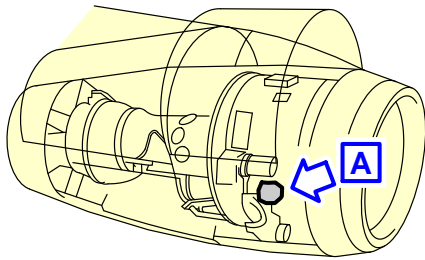
PERFORM IDG OIL SERVICING  
TO GET THE CORRECT IDG OIL LEVEL.  
DO NOT USE THE OVERFLOW DRAIN HOSE  
TO GET THE CORRECT IDG OIL LEVEL.

N\_AC\_050408\_1\_0070201\_01\_00

Ground Service Connections  
IDG Oil Tank – IAE V2500 Series Engine  
FIGURE-5-4-8-991-007-B01

**\*\*ON A/C A320-200**

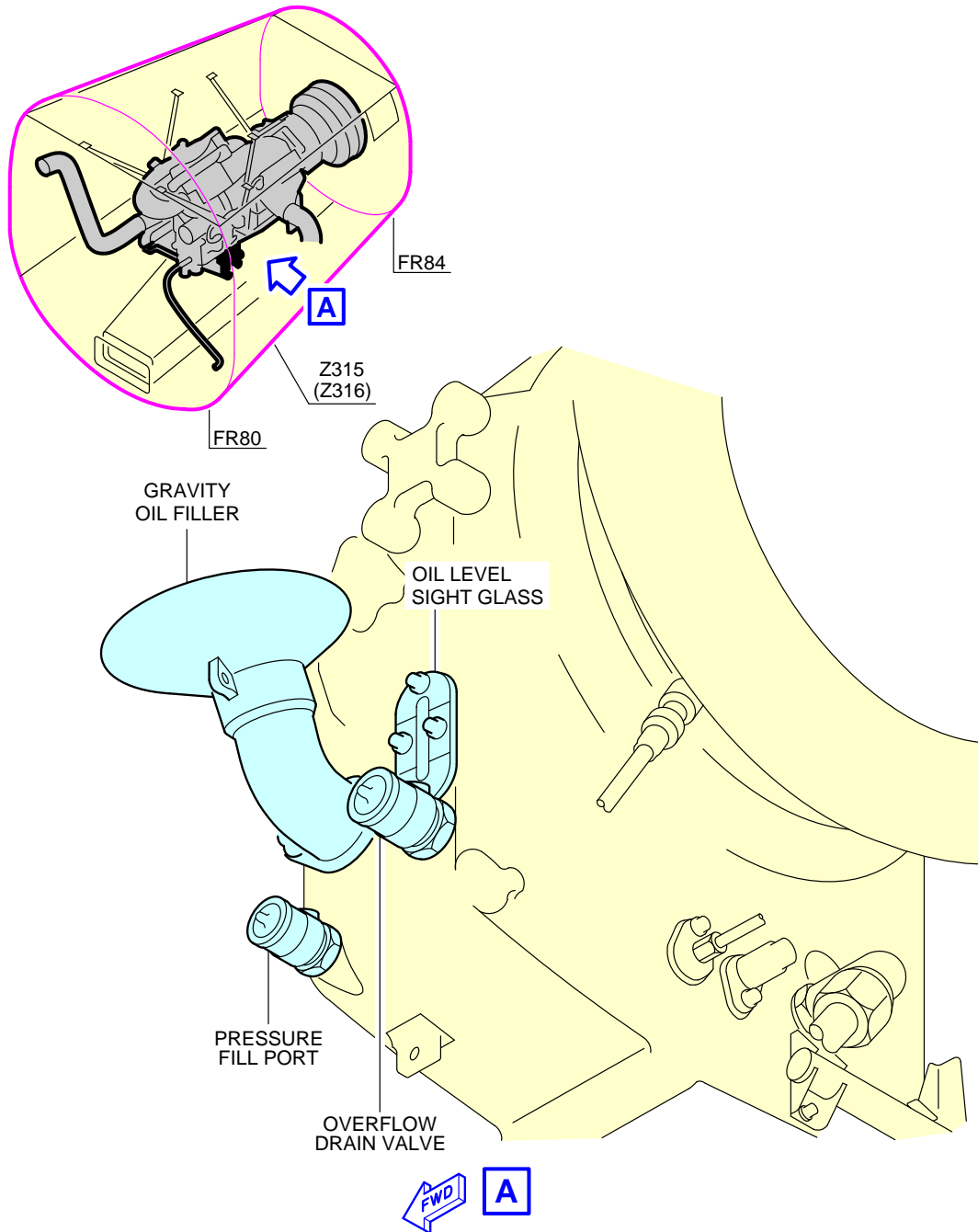
\* THE STARTER IS FULL WHEN THE OIL LEVEL SHOWS NOT LESS THAN 3/4 FULL ON THE SIGHT GLASS



N\_AC\_050408\_1\_0080201\_01\_00

Ground Service Connections  
Starter Oil Tank – IAE V2500 Series Engine  
FIGURE-5-4-8-991-008-B01

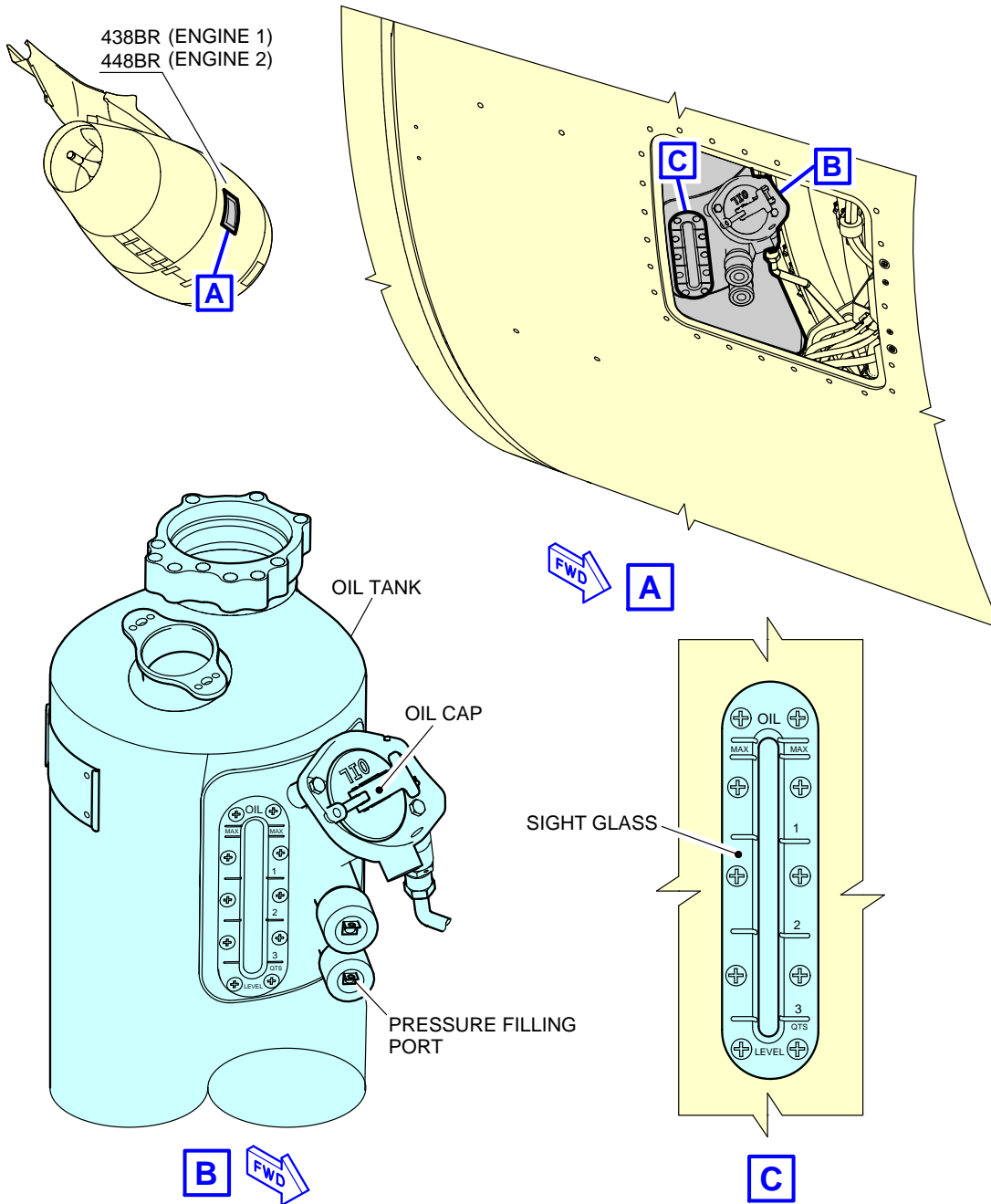
**\*\*ON A/C A320-200 A320neo**



N\_AC\_050408\_1\_0090101\_01\_00

Ground Service Connections  
APU Oil Tank  
FIGURE-5-4-8-991-009-A01

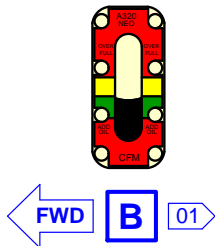
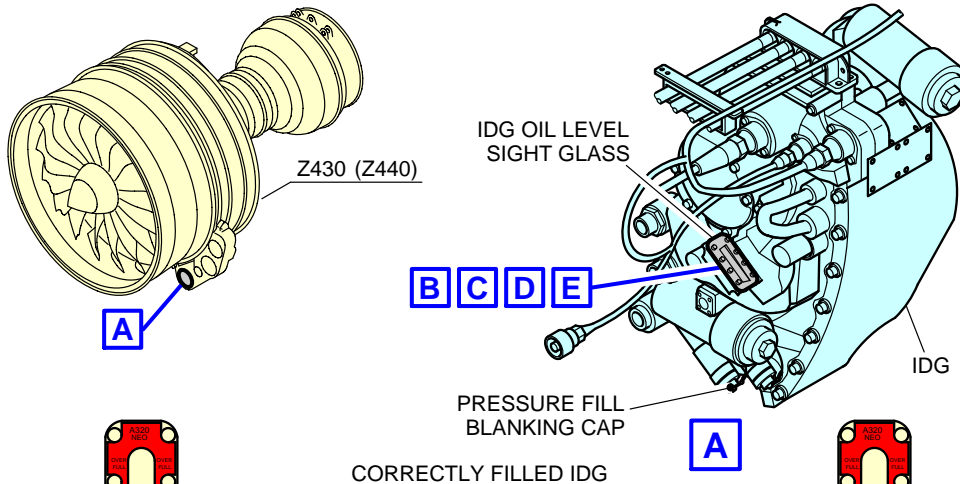
**\*\*ON A/C A320neo**



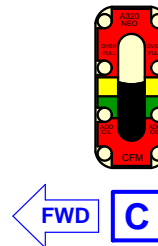
N\_AC\_050408\_1\_0100101\_01\_00

Ground Service Connections  
 Engine Oil Tank – CFM LEAP-1A Series Engine  
 FIGURE-5-4-8-991-010-A01

**\*\*ON A/C A320neo**

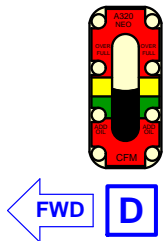


**COLD OIL CONDITION:**  
THE OIL LEVEL MUST BE AT OR NEAR  
THE LINE BETWEEN THE YELLOW BAND  
AND THE GREEN BAND WITH A TOLERANCE OF  $\pm 2$  mm.

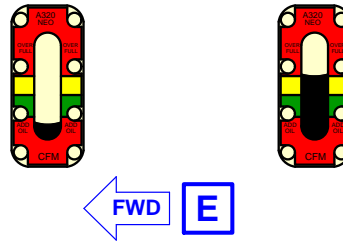


**HOT OIL CONDITION:**  
THE OIL LEVEL MUST BE  
IN THE YELLOW BAND.

INCORRECTLY FILLED IDG



**COLD OIL CONDITION:**  
THE OIL LEVEL MUST NOT BE IN  
THE YELLOW BAND.  
DO THE IDG DRAINING TO GET  
THE CORRECT IDG OIL LEVEL.



**AT ALL TIMES  
(HOT OR COLD OIL/IDG)**  
THE OIL LEVEL MUST NOT BE  
IN THE RED BAND.  
IF THE OIL LEVEL IS IN THE TOP OF THE  
RED BAND, DO THE IDG DRAINING TO  
GET THE CORRECT IDG OIL LEVEL.  
IF THE OIL LEVEL IS IN THE BOTTOM OF THE  
RED BAND, DO THE IDG SERVICING TO  
GET THE CORRECT IDG OIL LEVEL.  
DO NOT USE THE OVERFLOW DRAIN HOSE  
TO GET THE CORRECT IDG OIL LEVEL.

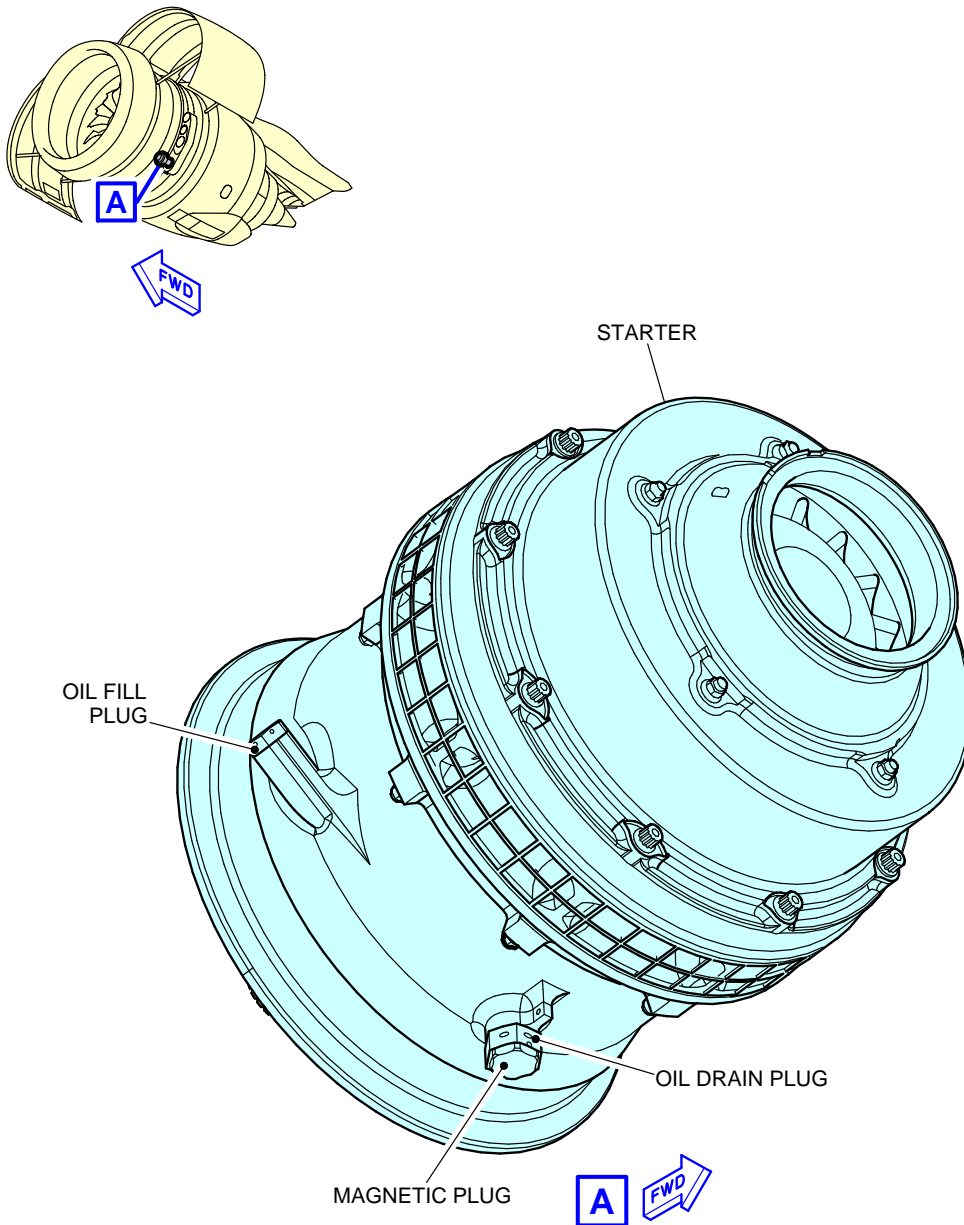
**NOTE:**

**01** IF THE OIL LEVEL IS NOT IN THE TOP OF THE  
GREEN BAND WITH A TOLERANCE OF  $\pm 2$  mm,  
IT IS RECOMMENDED TO FILL THE IDG AGAIN.

N\_AC\_050408\_1\_0110101\_01\_00

Ground Service Connections  
IDG Oil Tank – CFM LEAP-1A Series Engine  
FIGURE-5-4-8-991-011-A01

**\*\*ON A/C A320neo**

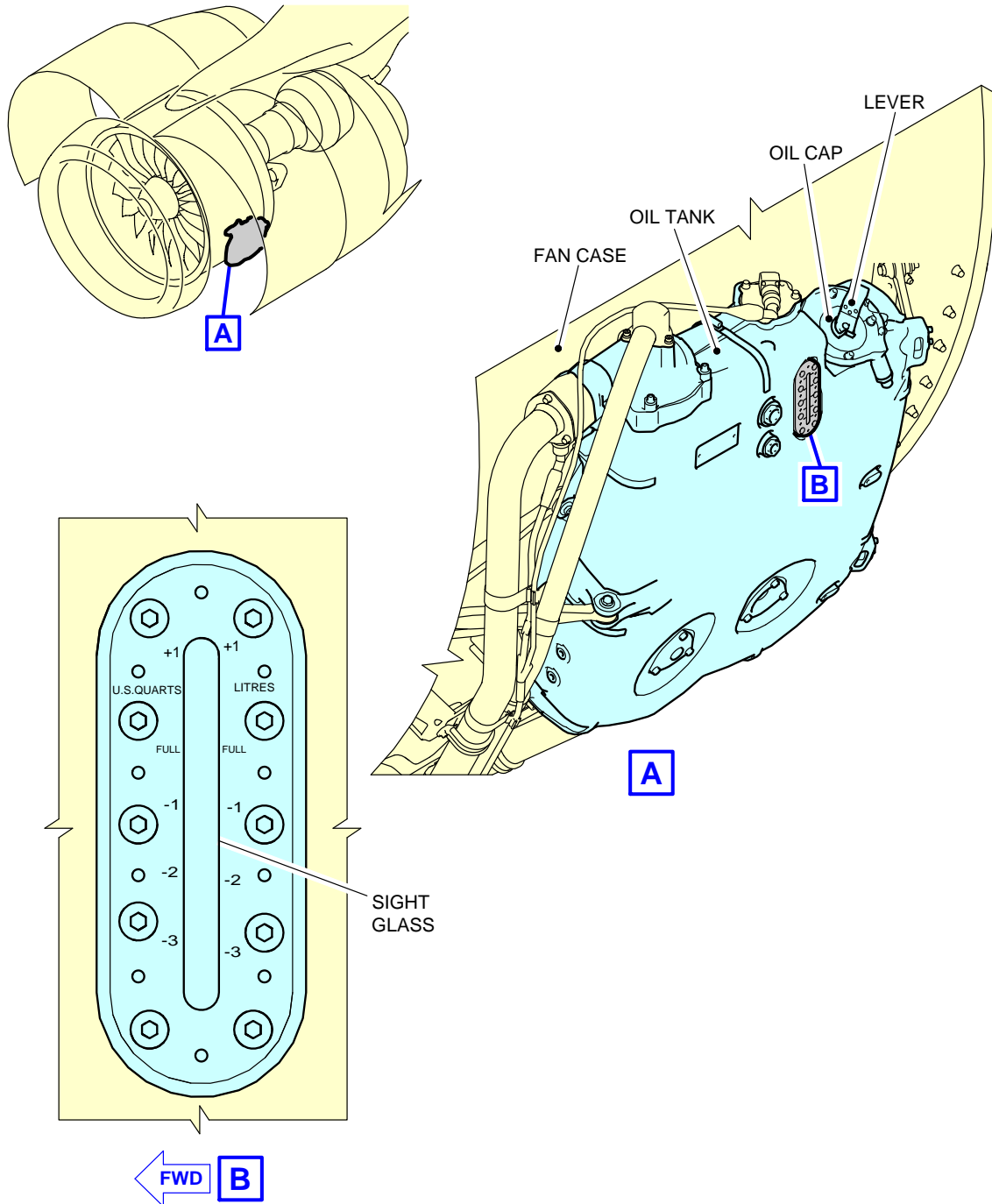


N\_AC\_050408\_1\_0120101\_01\_00

Ground Service Connections  
Starter Oil Tank – CFM LEAP-1A Series Engine  
FIGURE-5-4-8-991-012-A01



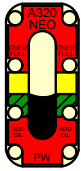
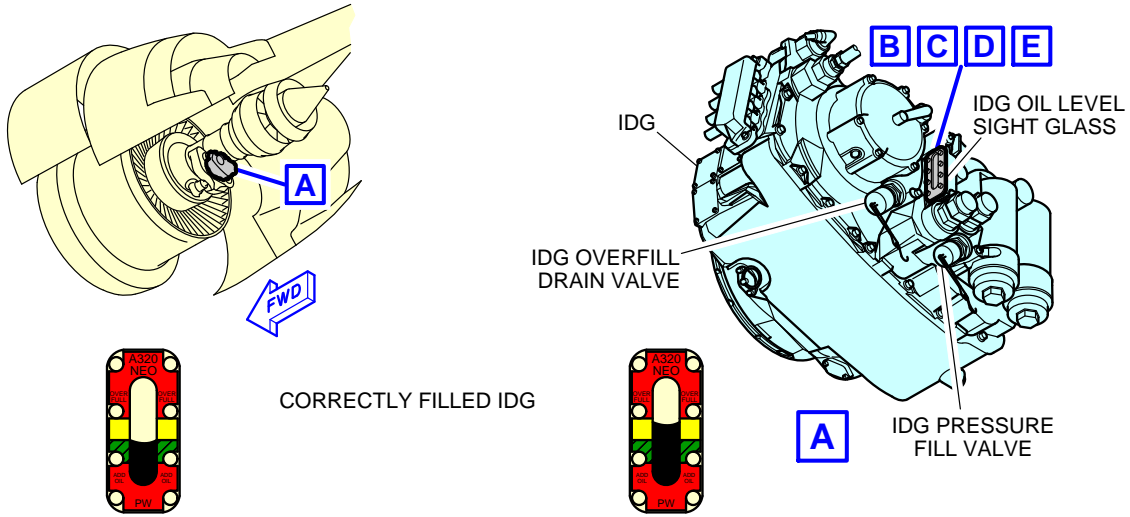
**\*\*ON A/C A320neo**



N\_AC\_050408\_1\_0130101\_01\_00

Ground Service Connections  
Engine Oil Tank – PW 1100G Series Engine  
FIGURE-5-4-8-991-013-A01

**\*\*ON A/C A320neo**



CORRECTLY FILLED IDG

**B**

AFTER SERVICING OR ENGINE SHUTDOWN (COLD OIL/IDG)

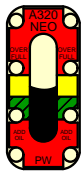
THE OIL LEVEL MUST BE IN THE GREEN BAND OR NEAR THE LINE BETWEEN THE YELLOW BAND AND THE GREEN BAND



**C**

AFTER ENGINE SHUTDOWN (HOT OIL/IDG)

THE OIL LEVEL MUST BE BETWEEN THE MIDDLE OF THE GREEN BAND AND THE TOP OF THE YELLOW BAND



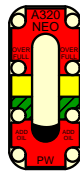
INCORRECTLY FILLED IDG

**D**

AFTER SERVICING OR ENGINE SHUTDOWN (COLD OIL/IDG)

THE OIL LEVEL MUST NOT BE IN THE YELLOW BAND BUT IT CAN BE IMMEDIATELY ABOVE THE LOWER LIMIT OF THE YELLOW BAND BECAUSE OF THE AIRCRAFT RAMP ANGLE

DO THE IDG SERVICING TO GET THE CORRECT IDG OIL LEVEL.



**E**

AT ALL TIMES (HOT OR COLD OIL/IDG)

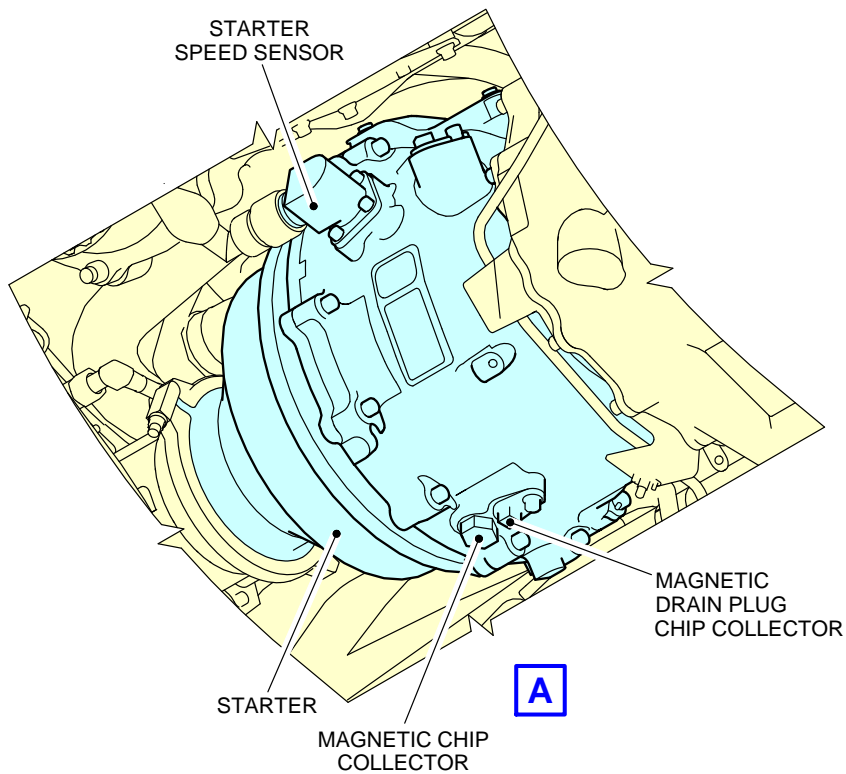
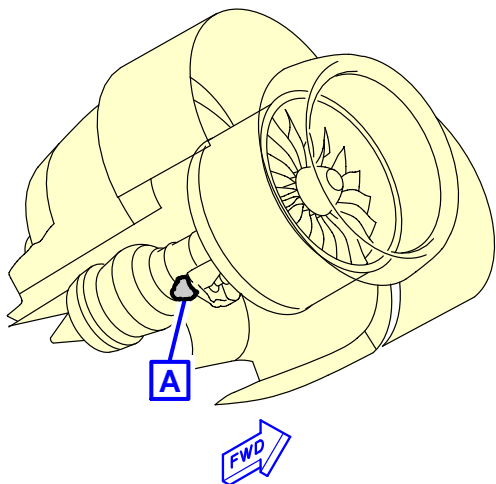
THE OIL LEVEL MUST NOT BE IN THE RED BAND

DO THE IDG SERVICING TO GET THE CORRECT IDG OIL LEVEL.

N\_AC\_050408\_1\_0140101\_01\_00

Ground Service Connections  
IDG Oil Tank – PW 1100G Series Engine  
FIGURE-5-4-8-991-014-A01

**\*\*ON A/C A320neo**



N\_AC\_050408\_1\_0150101\_01\_00

Ground Service Connections  
Starter Oil Tank – PW 1100G Series Engine  
FIGURE-5-4-8-991-015-A01

**5-4-9 Potable Water System**

**\*\*ON A/C A320-200 A320neo**

Potable Water System

1. Potable Water Ground Service Panels

ACCESS	DISTANCE			
	AFT OF NOSE	POSITION FROM AIRCRAFT CENTERLINE		MEAN HEIGHT FROM GROUND
		LH SIDE	RH SIDE	
Potable-Water Service Panel: Access Door 171AL	31.3 m (102.69 ft)	0.3 m (0.98 ft)	-	2.6 m (8.53 ft)
Potable-Water Drain Panel: Access Door 133AL (Optional)	11.8 m (38.71 ft)	0.15 m (0.49 ft)	-	1.75 m (5.74 ft)
Potable-Water Drain Panel: Access Door 192NB	12.5 m (41.01 ft)	-	0.51 m (1.67 ft)	1.75 m (5.74 ft)

NOTE : Distances are approximate.

2. Technical Specifications

A. Connectors:

- (1) On the potable-water service panel (Access Door 171AL)
  - Fill/Drain Nipple 3/4 in. (ISO 17775).
  - One ground air-pressure connector.
- (2) On the potable-water drain panel (Access Door 133AL and/or 192NB)
  - Drain Nipple 3/4 in. (ISO 17775).

B. Usable capacity:

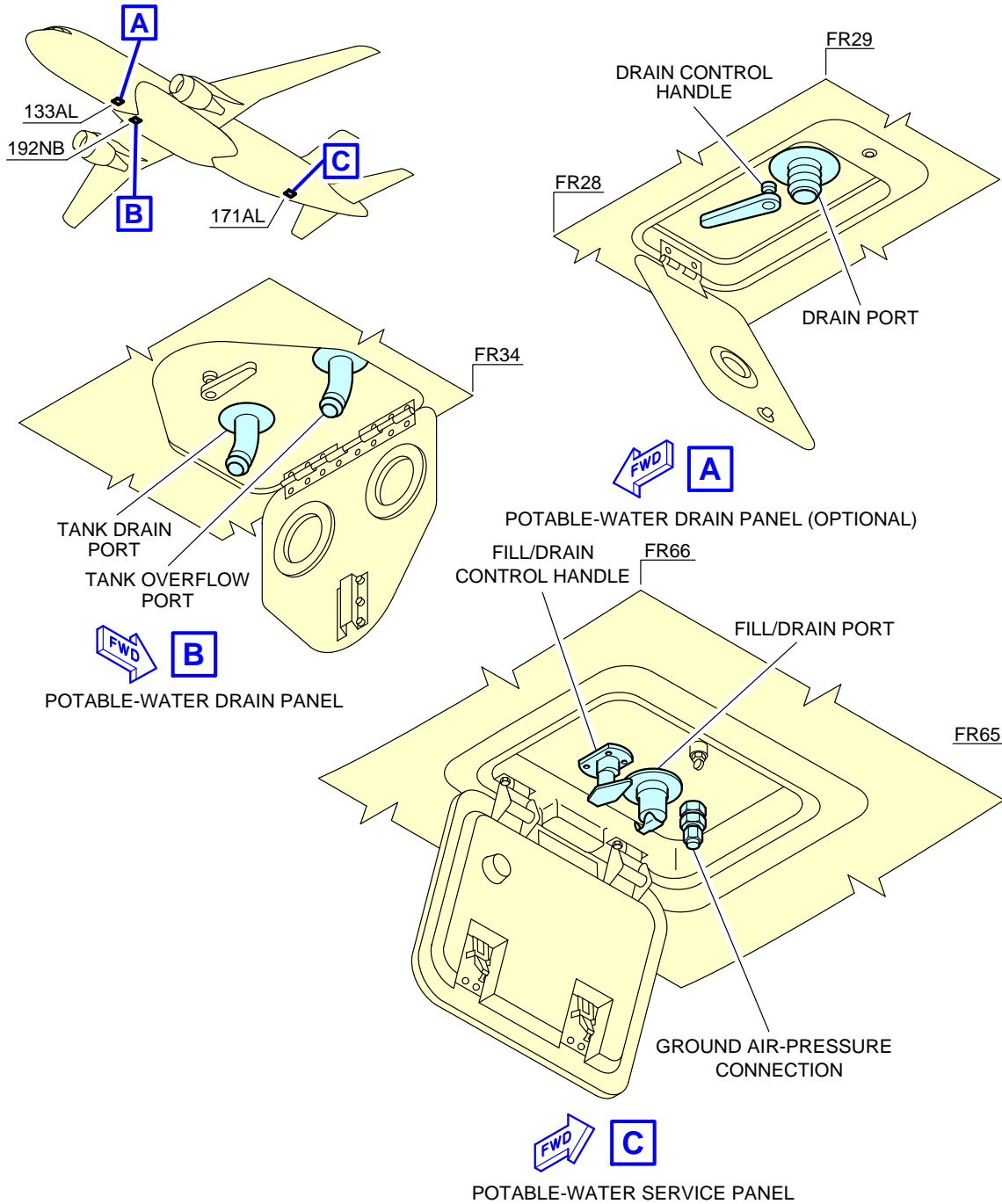
- Standard configuration - one tank: 200 l (53 US gal).

C. Filling pressure:

- 3.45 bar (50 psi).

- D. Typical flow rate:  
- 50 l/min (13 US gal/min).

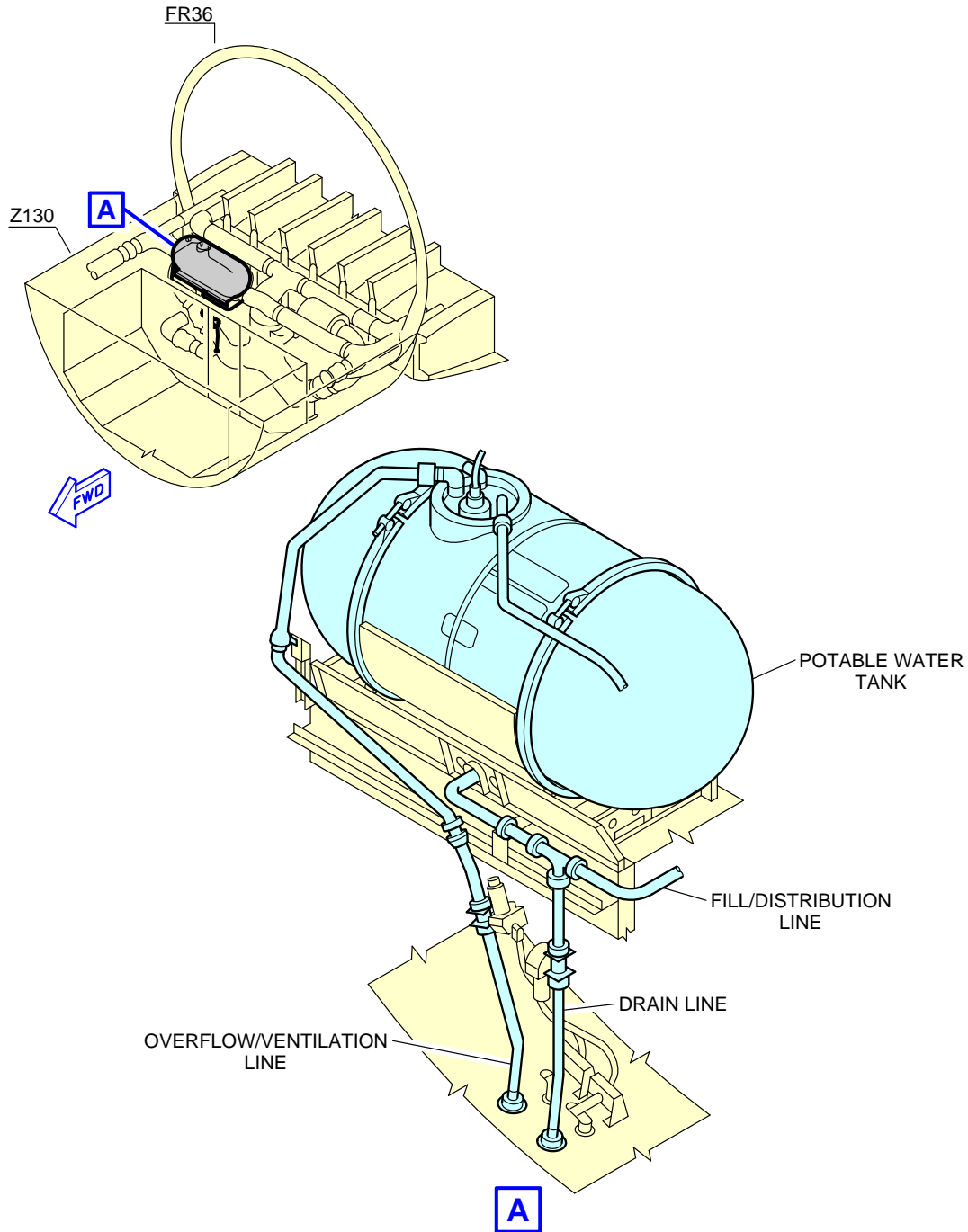
**\*\*ON A/C A320-200 A320neo**



N\_AC\_050409\_1\_0290201\_01\_00

Ground Service Connections  
Potable Water Ground Service Panels  
FIGURE-5-4-9-991-029-B01

**\*\*ON A/C A320-200 A320neo**



N\_AC\_050409\_1\_0300201\_01\_00

Ground Service Connections  
Potable Water Tank Location  
FIGURE-5-4-9-991-030-B01

**5-4-10 Waste Water System**

**\*\*ON A/C A320-200 A320neo**

Waste Water System

1. Waste Water System

ACCESS	DISTANCE			
	AFT OF NOSE	POSITION FROM AIRCRAFT CENTERLINE		MEAN HEIGHT FROM GROUND
		LH SIDE	RH SIDE	
Waste-Water Ground Service Panel: Access door 172AR	31.3 m (102.69 ft)	-	0.8 m (2.62 ft)	2.8 m (9.19 ft)

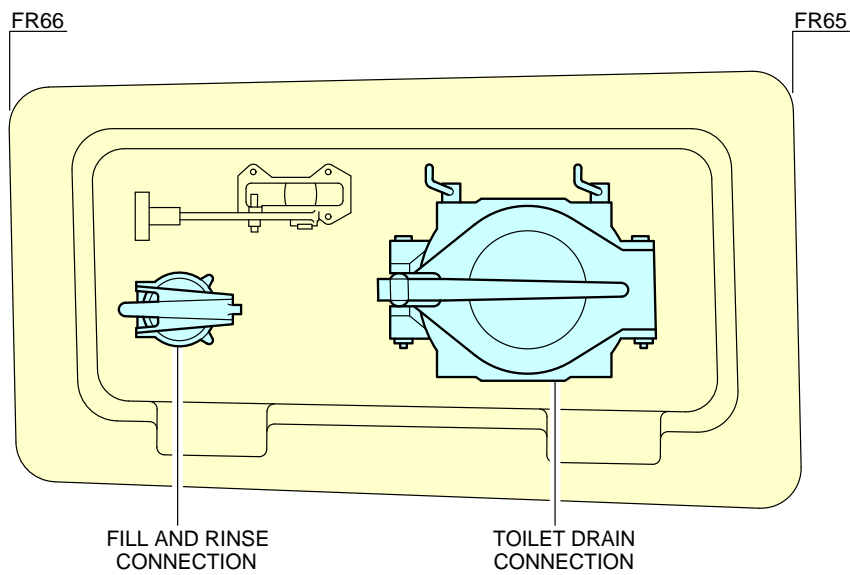
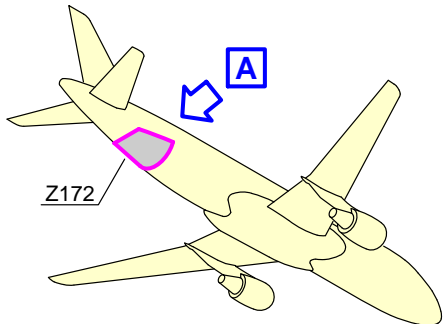
NOTE : Distances are approximate.

2. Technical Specifications

- A. Connectors:
  - Draining: 4 in. (ISO 17775).
  - Flushing and filling: 1 in. (ISO 17775).
- B. Usable waste tank capacity:
  - Standard configuration - one tank: 177 l (47 US gal).
- C. Waste tank - Rinsing:
  - Operating pressure: 3.45 bar (50 psi).
- D. Waste tank - Precharge:
  - 10 l (3 US gal).



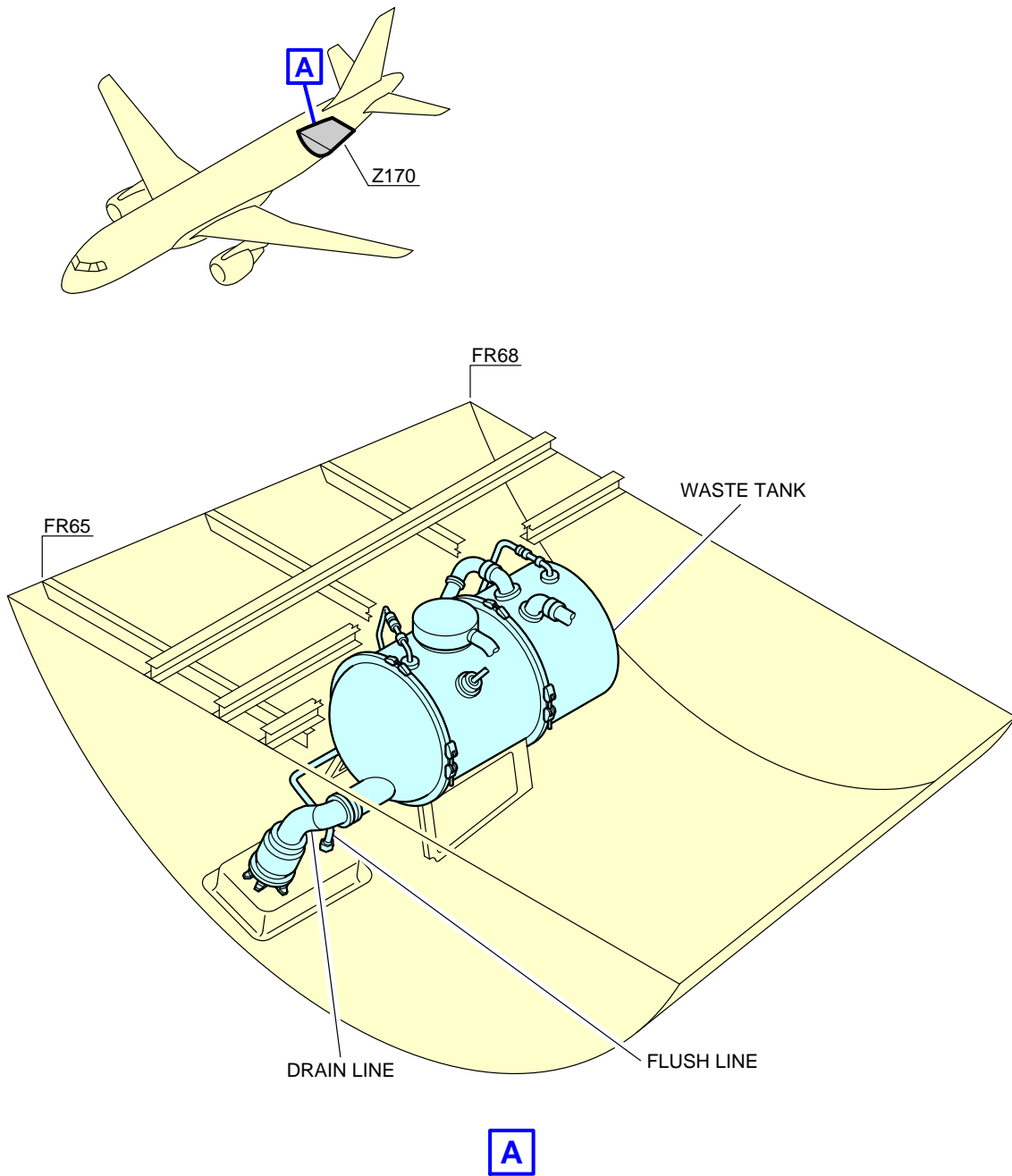
**\*\*ON A/C A320-200 A320neo**



N\_AC\_050410\_1\_0010101\_01\_00

Ground Service Connections  
Waste Water Ground Service Panel  
FIGURE-5-4-10-991-001-A01

**\*\*ON A/C A320-200 A320neo**



N\_AC\_050410\_1\_0040101\_01\_00

Ground Service Connections  
Waste Tank Location  
FIGURE-5-4-10-991-004-A01

### 5-5-0 Engine Starting Pneumatic Requirements

**\*\*ON A/C A320-200 A320neo**

Engine Starting Pneumatic Requirements

1. The function of this section gives the minimum air-data requirements at the aircraft.

Abbreviation	Definition
ASU	Air Start Unit
HPGC	High Pressure Ground Connection
OAT	Outside Air Temperature

- A. The pressure at HPGC must not be more than 60 psig (75 psia) and less than 33 psig (48 psia). The temperature must be less than 220 °C (428 °F).
- B. The recommended pressure at HPGC is 40 psig (55 psia).
- C. The OAT and the ASU performances (see the technical data from the ASU manufacturer) effect the ASU output temperature.

**\*\*ON A/C A320-200**

2. CFM56 Engines for an OAT between -40 °C (-40 °F ) and 55 °C (131 °F ) at Sea Level

ASU Output Temperature Range	Pressure at HPGC	Mass Flow at HPGC
100 °C (212 °F) - 125 °C (257 °F)	40 psig (55 psia)	186 ppm (84 kg/min)
125 °C (257 °F) - 175 °C (347 °F)	40 psig (55 psia)	180 ppm (82 kg/min)
175 °C (347 °F) - 220 °C (428 °F)	40 psig (55 psia)	169 ppm (77 kg/min)

ASU Output Temperature Range	Pressure at HPGC	Mass Flow at HPGC
TBD	40 psig (55 psia)	TBD

3. IAE V2500 Engines for an OAT between -40 °C ( -40 °F) and 55 °C (131 °F)

ASU Output Temperature Range	Pressure at HPGC	Mass Flow at HPGC
100 °C (212 °F) - 125 °C (257 °F)	40 psig (55 psia)	167 ppm (76 kg/min)
125 °C (257 °F) - 175 °C (347 °F)	40 psig (55 psia)	162 ppm (73 kg/min)
175 °C (347 °F) - 220 °C (428 °F)	40 psig (55 psia)	152 ppm (69 kg/min)

ASU Output Temperature Range	Pressure at HPGC	Mass Flow at HPGC
TBD	40 psig (55 psia)	TBD

**\*\*ON A/C A320neo**

4. CFM Leap Engines for an OAT between -40 °C (-40 °F) and 55 °C (131 °F)

ASU Output Temperature Range	Pressure at HPGC	Mass Flow at HPGC
100 °C (212 °F) - 125 °C (257 °F)	40 psig (55 psia)	196 ppm (89 kg/min)
125 °C (257 °F) - 175 °C (347 °F)	40 psig (55 psia)	189 ppm (86 kg/min)
175 °C (347 °F) - 220 °C (428 °F)	40 psig (55 psia)	179 ppm (81 kg/min)

ASU Output Temperature Range	Pressure at HPGC	Mass Flow at HPGC
TBD	40 psig (55 psia)	TBD

5. PW1100G Engines for an OAT between -40 °C (-40 °F) and 55 °C (131 °F)

ASU Output Temperature Range	Pressure at HPGC	Mass Flow at HPGC
100 °C (212 °F) - 125 °C (257 °F)	40 psig (55 psia)	194 ppm (88 kg/min)
125 °C (257 °F) - 175 °C (347 °F)	40 psig (55 psia)	188 ppm (85 kg/min)
175 °C (347 °F) - 220 °C (428 °F)	40 psig (55 psia)	177 ppm (80 kg/min)

ASU Output Temperature Range	Pressure at HPGC	Mass Flow at HPGC
TBD	40 psig (55 psia)	TBD

## 5-6-0 Ground Pneumatic Power Requirements

### \*\*ON A/C A320-200 A320neo

#### Ground Pneumatic Power Requirements

##### 1. General

This section describes the required performance for the ground equipment to maintain the cabin temperature at 27 °C (80.6 °F) for the cooling or 21 °C (69.8 °F) for heating cases after boarding (Section 5.7 - steady state), and provides the time needed to cool down or heat up the aircraft cabin to the required temperature (Section 5.6 - dynamic cases with aircraft empty).

ABBREVIATION	DEFINITION
A/C	Aircraft
AHM	Aircraft Handling Manual
AMM	Aircraft Maintenance Manual
GC	Ground Connection
GSE	Ground Service Equipment
IFE	In-Flight Entertainment
OAT	Outside Air Temperature
PCA	Pre-Conditioned Air

- A. The air flow rates and temperature requirements for the GSE, provided in Sections 5.6 and 5.7, are given at A/C ground connection.

NOTE : The cooling capacity of the equipment (kW) is only indicative and is not sufficient by itself to ensure the performance (outlet temperature and flow rate combinations are the requirements needed for ground power). An example of cooling capacity calculation is given in Section 5.7.

NOTE : The maximum air flow is driven by pressure limitation at the ground connection.

- B. For temperatures at ground connection below 2 °C (35.6 °F) (Subfreezing), the ground equipment shall be compliant with the Airbus document "Subfreezing PCA Carts - Compliance Document for Suppliers" (contact Airbus to obtain this document) defining all the requirements with which Subfreezing Pre-Conditioning Air equipment must comply to allow its use on Airbus aircraft. These requirements are in addition to the functional specifications included in the IATA AHM997.

##### 2. Ground Pneumatic Power Requirements

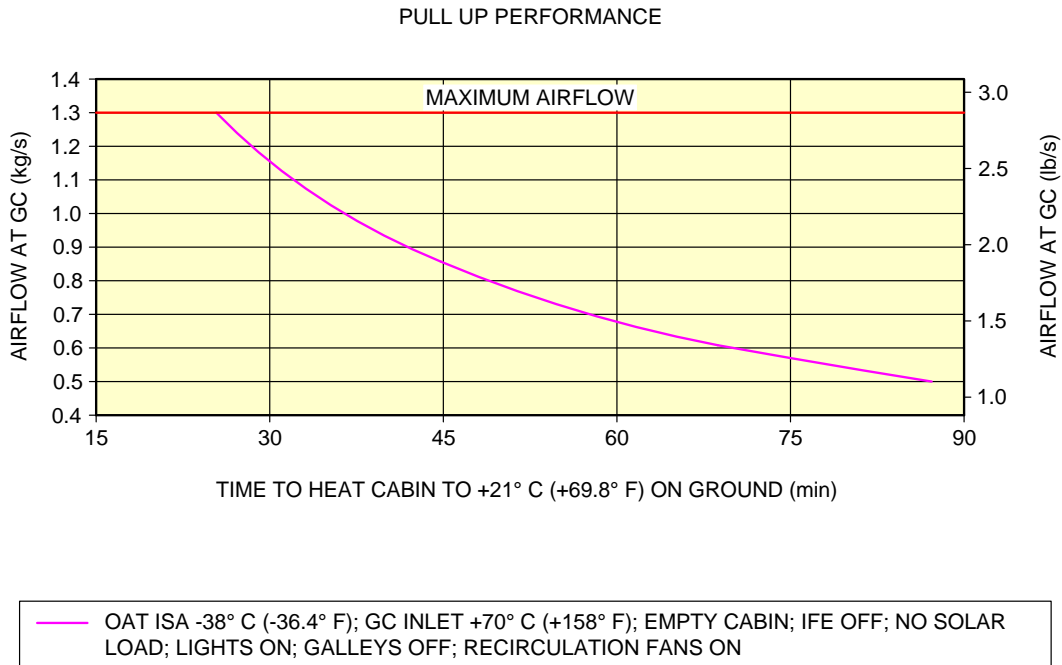
This section provides the ground pneumatic power requirements for:



AIRCRAFT CHARACTERISTICS - AIRPORT AND MAINTENANCE PLANNING

- Heating (pull up) the cabin, initially at OAT, up to 21 °C (69.8 °F) (see FIGURE 5-6-0-991-001-A)
- Cooling (pull down) the cabin, initially at OAT, down to 27 °C (80.6 °F) (see FIGURE 5-6-0-991-002-A).

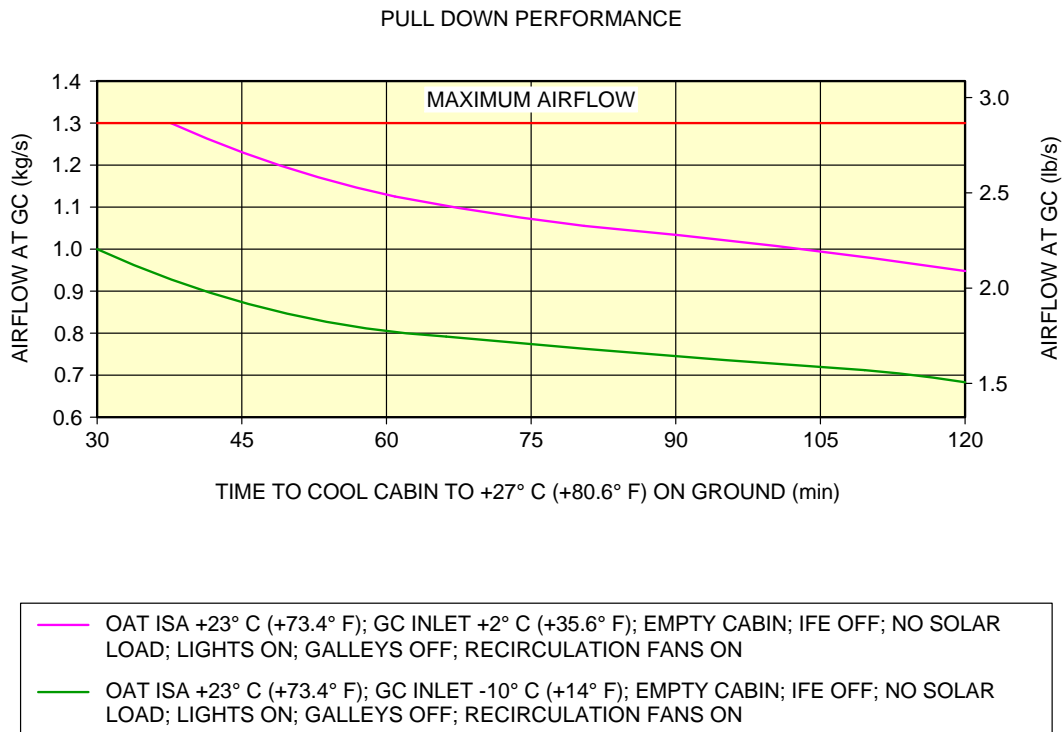
**\*\*ON A/C A320-200 A320neo**



N\_AC\_050600\_1\_0010101\_01\_00

Ground Pneumatic Power Requirements  
Heating  
FIGURE-5-6-0-991-001-A01

**\*\*ON A/C A320-200 A320neo**



N\_AC\_050600\_1\_0020101\_01\_00

Ground Pneumatic Power Requirements  
Cooling  
FIGURE-5-6-0-991-002-A01



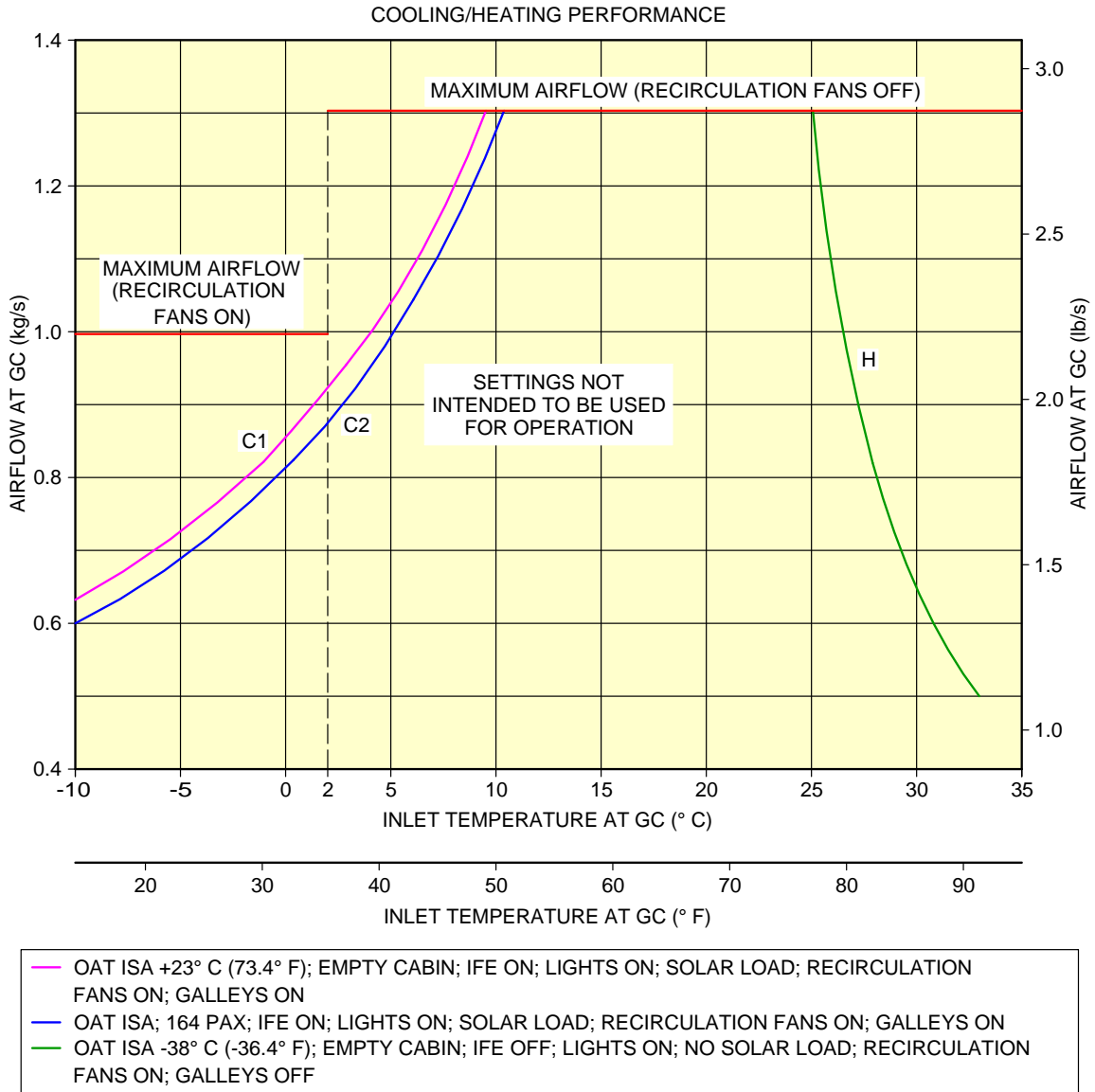
**5-7-0 Preconditioned Airflow Requirements****\*\*ON A/C A320-200 A320neo**Preconditioned Airflow Requirements

1. This section provides the preconditioned airflow rate and temperature needed to maintain the cabin temperature at 27 °C (80.6 °F) for the cooling or 21 °C (69.8 °F) for the heating cases.

These settings are not intended to be used for operation (they are not a substitute for the settings given in the AMM). They are based on theoretical simulations and give the picture of a real steady state.

The purpose of the air conditioning (cooling) operation (described in the AMM) is to maintain the cabin temperature below 27 °C (80.6 °F) during boarding (therefore it is not a steady state).

**\*\*ON A/C A320-200 A320neo**



N\_AC\_050700\_1\_0030101\_01\_04

Preconditioned Airflow Requirements  
FIGURE-5-7-0-991-003-A01

## 5-8-0 Ground Towing Requirements

### **\*\*ON A/C A320-200 A320neo**

#### Ground Towing Requirements

1. This section gives information on aircraft towing.

This aircraft is designed with means for standard or towbarless towing. Information/procedures can be found for both in AMM 09.

Status on towbarless towing equipment qualification can be found in ISI 09.11.00001.

NOTE : The NLG steering deactivation pin has the same design for all Airbus programs.

One towbar fitting is installed at the front of the leg.

The main landing gears have attachment points for towing or debogging (for details, refer ARM 07).

This section shows the chart to determine the drawbar pull and tow tractor mass requirements as a function of the following physical characteristics:

- Aircraft weight,
- Number of engines at idle,
- Slope.

The chart is based on the engine type with the highest idle thrust level.

2. Towbar design guidelines

The aircraft towbar shall comply with the following standards:

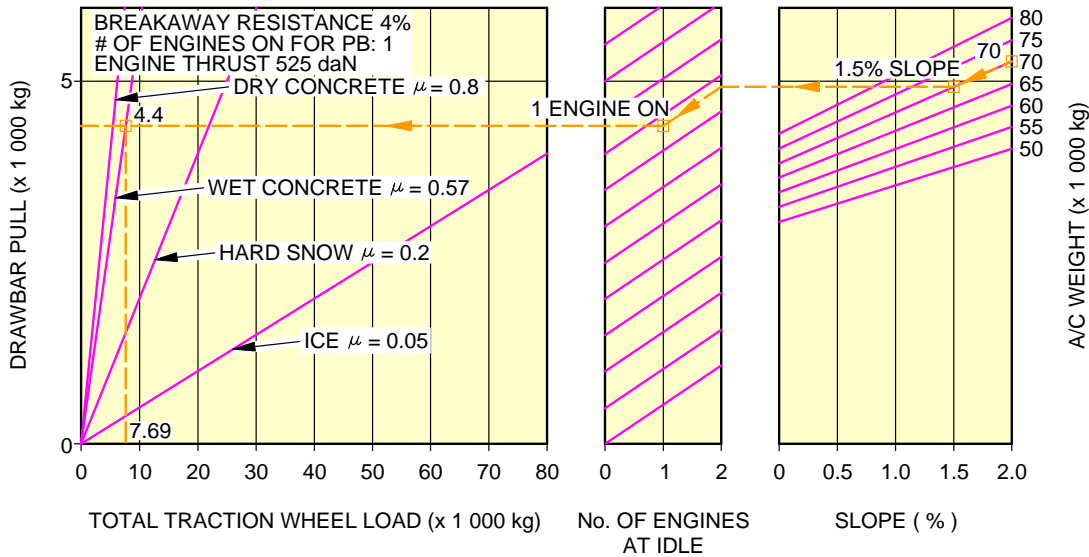
- ISO 8267-1, "Aircraft - Towbar Attachment Fitting - Interface Requirements - Part 1: Main Line Aircraft",
- SAE AS 1614, "Main Line Aircraft Towbar Attach Fitting Interface",
- SAE ARP 1915, "Aircraft Towbar",
- ISO 9667, "Aircraft Ground Support Equipment - Towbar - Connection to Aircraft and Tractor",
- EN 12312-7, "Aircraft Ground Support Equipment - Specific Requirements - Part 7: Aircraft Movement Equipment",
- IATA Airport Handling Manual AHM 958, "Functional Specification for an Aircraft Towbar".

A standard type towbar is required which should be equipped with a damping system (to protect the nose gear against jerks) and with towing shear pins:

- A traction shear pin calibrated at 9 425 daN (21 188 lbf),
- A torsion pin calibrated at 826 m.daN (6 092 lbf.ft).

The towing head is designed according to ISO 8267-1, cat. I.

**\*\*ON A/C A320-200**



EXAMPLE HOW TO DETERMINE THE TRACTION WHEEL LOAD REQUIREMENT TO TOW A A320 AT 70 000 kg, AT 1.5% SLOPE, 1 ENGINE AT IDLE AND FOR WET TARMAC CONDITIONS:

- ON THE RIGHT HAND SIDE OF THE GRAPH, CHOOSE THE RELEVANT AIRCRAFT WEIGHT (70 000 kg),
  - FROM THIS POINT DRAW A PARALLEL LINE TO THE REQUIRED SLOPE PERCENTAGE (1.5%),
  - FROM THE POINT OBTAINED DRAW A STRAIGHT HORIZONTAL LINE UNTIL No. OF ENGINES AT IDLE = 2,
  - FROM THIS POINT DRAW A PARALLEL LINE TO THE REQUESTED No. OF ENGINES (1),
  - FROM THIS POINT DRAW A STRAIGHT HORIZONTAL LINE TO THE DRAWBAR PULL AXIS,
  - THE Y-COORDINATE OBTAINED IS THE NECESSARY DRAWBAR PULL FOR THE TRACTOR (4 400 kg),
  - SEARCH THE INTERSECTION WITH THE "WET CONCRETE" LINE.
- THE OBTAINED X-COORDINATE IS THE TOTAL TRACTION WHEEL LOAD (7 690 kg).

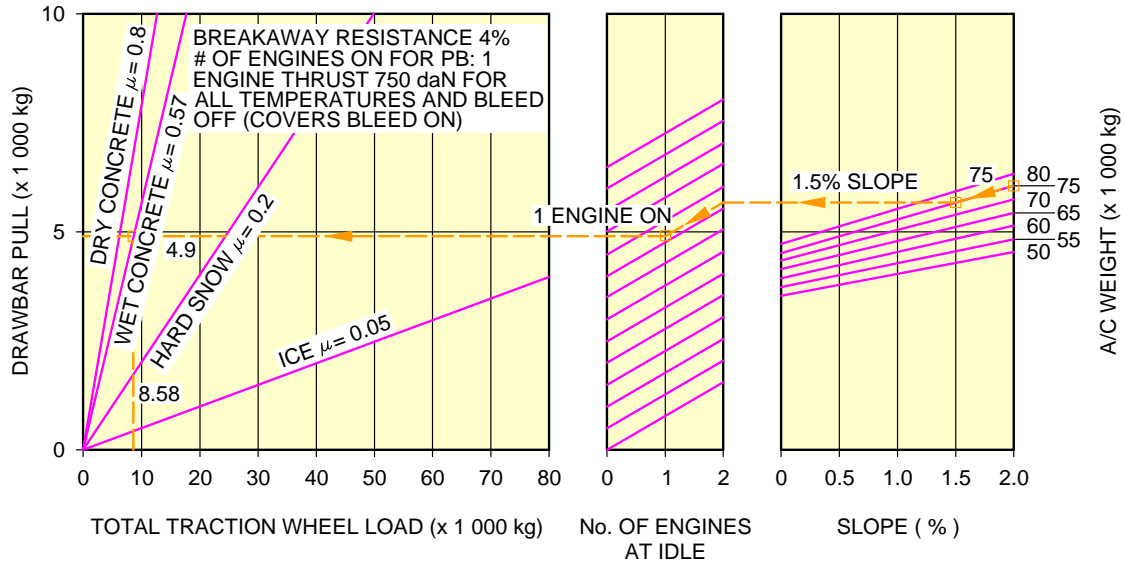
**NOTE:**

USE A TRACTOR WITH A LIMITED DRAWBAR PULL TO PREVENT LOADS ABOVE THE TOW-BAR SHEAR-PIN CAPACITY.  
 FOR ALL WHEEL-DRIVEN VEHICLES, THE TOTAL TRACTION WHEEL LOAD IS THE TRACTOR WEIGHT.

N\_AC\_050800\_1\_0011001\_01\_00

Ground Towing Requirements  
 5-8-0-991-001-K01

**\*\*ON A/C A320neo**



EXAMPLE HOW TO DETERMINE THE TRACTION WHEEL LOAD REQUIREMENT TO TOW A A320 AT 75 000 kg, AT 1.5% SLOPE, 1 ENGINE AT IDLE AND FOR WET TARMAC CONDITIONS:

- ON THE RIGHT HAND SIDE OF THE GRAPH, CHOOSE THE RELEVANT AIRCRAFT WEIGHT (75 000 kg),
  - FROM THIS POINT DRAW A PARALLEL LINE TO THE REQUIRED SLOPE PERCENTAGE (1.5%),
  - FROM THE POINT OBTAINED DRAW A STRAIGHT HORIZONTAL LINE UNTIL No. OF ENGINES AT IDLE = 2,
  - FROM THIS POINT DRAW A PARALLEL LINE TO THE REQUESTED No. OF ENGINES (1),
  - FROM THIS POINT DRAW A STRAIGHT HORIZONTAL LINE TO THE DRAWBAR PULL AXIS,
  - THE Y-COORDINATE OBTAINED IS THE NECESSARY DRAWBAR PULL FOR THE TRACTOR (4 900 kg),
  - SEARCH THE INTERSECTION WITH THE "WET CONCRETE" LINE.
- THE OBTAINED X-COORDINATE IS THE TOTAL TRACTION WHEEL LOAD (8 580 kg).

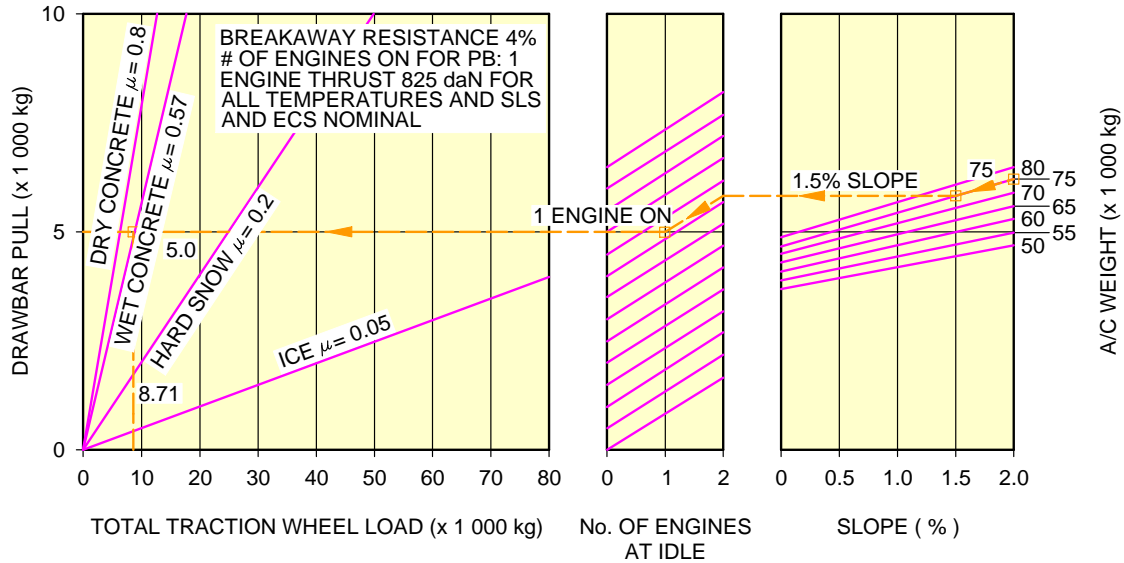
**NOTE:**

USE A TRACTOR WITH A LIMITED DRAWBAR PULL TO PREVENT LOADS ABOVE THE TOW-BAR SHEAR-PIN CAPACITY.  
 FOR ALL WHEEL-DRIVEN VEHICLES, THE TOTAL TRACTION WHEEL LOAD IS THE TRACTOR WEIGHT.

N\_AC\_050800\_1\_0011101\_01\_00

Ground Towing Requirements  
 PW 1100G Engine1 of 2)  
 5-8-0-991-001-L01

**\*\*ON A/C A320neo**



EXAMPLE HOW TO DETERMINE THE TRACTION WHEEL LOAD REQUIREMENT TO TOW A A320 AT 75 000 kg, AT 1.5% SLOPE, 1 ENGINE AT IDLE AND FOR WET TARMAC CONDITIONS:

- ON THE RIGHT HAND SIDE OF THE GRAPH, CHOOSE THE RELEVANT AIRCRAFT WEIGHT (75 000 kg),
  - FROM THIS POINT DRAW A PARALLEL LINE TO THE REQUIRED SLOPE PERCENTAGE (1.5%),
  - FROM THE POINT OBTAINED DRAW A STRAIGHT HORIZONTAL LINE UNTIL No. OF ENGINES AT IDLE = 2,
  - FROM THIS POINT DRAW A PARALLEL LINE TO THE REQUESTED No. OF ENGINES (1),
  - FROM THIS POINT DRAW A STRAIGHT HORIZONTAL LINE TO THE DRAWBAR PULL AXIS,
  - THE Y-COORDINATE OBTAINED IS THE NECESSARY DRAWBAR PULL FOR THE TRACTOR (5 000 kg),
  - SEARCH THE INTERSECTION WITH THE "WET CONCRETE" LINE.
- THE OBTAINED X-COORDINATE IS THE TOTAL TRACTION WHEEL LOAD (8 710 kg).

**NOTE:**

USE A TRACTOR WITH A LIMITED DRAWBAR PULL TO PREVENT LOADS ABOVE THE TOW-BAR SHEAR-PIN CAPACITY.  
FOR ALL WHEEL-DRIVEN VEHICLES, THE TOTAL TRACTION WHEEL LOAD IS THE TRACTOR WEIGHT.

N\_AC\_050800\_1\_0011103\_01\_00

Ground Towing Requirements  
CFM LEAP-1A Engine2 of 2)  
5-8-0-991-001-L01

**5-9-0 De-icing and External Cleaning**

**\*\*ON A/C A320-200 A320neo**

De-icing and External Cleaning

1. De-icing and External Cleaning on Ground

The mobile equipment for aircraft de-icing and external cleaning must be capable of reaching heights up to approximately 13 m (43 ft).

2. De-icing

AIRCRAFT TYPE	Wing Top Surface (Both Sides)		Wingtip Devices (Both Inside and Outside Surfaces) (Both Sides)		HTP Top Surface (Both Sides)		VTP (Both Sides)	
	m <sup>2</sup>	ft <sup>2</sup>	m <sup>2</sup>	ft <sup>2</sup>	m <sup>2</sup>	ft <sup>2</sup>	m <sup>2</sup>	ft <sup>2</sup>
A320	100	1 076	2	22	27	291	43	463
A320 Sharklet/neo	100	1 076	10	108	27	291	43	463

AIRCRAFT TYPE	Fuselage Top Surface (Top Third - 120° Arc)		Nacelle and Pylon (Top Third - 120° Arc) (All Engines)		Total De-Iced Area	
	m <sup>2</sup>	ft <sup>2</sup>	m <sup>2</sup>	ft <sup>2</sup>	m <sup>2</sup>	ft <sup>2</sup>
A320	138	1 485	24	258	333	3 584
A320 Sharklet/neo	138	1 485	24	258	341	3 670

NOTE : Dimensions are approximate.

3. External Cleaning

AIRCRAFT TYPE	Wing Top Surface (Both Sides)		Wing Lower Surface (Including Flap Track Fairing) (Both Sides)		Wingtip Devices (Both Inside and Outside Surfaces) (Both Sides)	
	m <sup>2</sup>	ft <sup>2</sup>	m <sup>2</sup>	ft <sup>2</sup>	m <sup>2</sup>	ft <sup>2</sup>
A320	100	1 076	103	1 109	2	22
A320 Sharklet/neo	100	1 076	103	1 109	10	108



AIRCRAFT TYPE	HTP Top Surface (Both Sides)		HTP Lower Surface (Both Sides)		VTP (Both Sides)	
	m <sup>2</sup>	ft <sup>2</sup>	m <sup>2</sup>	ft <sup>2</sup>	m <sup>2</sup>	ft <sup>2</sup>
A320	27	291	27	291	43	463
A320 Sharklet/neo	27	291	27	291	43	463

AIRCRAFT TYPE	Fuselage and Belly Fairing		Nacelle and Pylon (All Engines)		Total Cleaned Area	
	m <sup>2</sup>	ft <sup>2</sup>	m <sup>2</sup>	ft <sup>2</sup>	m <sup>2</sup>	ft <sup>2</sup>
A320	421	4 532	73	786	796	8 568
A320 Sharklet/neo	421	4 532	73	786	804	8 654

NOTE : Dimensions are approximate.

## OPERATING CONDITIONS

### 6-1-0 Engine Exhaust Velocities and Temperatures

#### **\*\*ON A/C A320-200 A320neo**

#### Engine Exhaust Velocities and Temperatures

#### **\*\*ON A/C A320-200**

##### 1. General

This section provides the estimated engine exhaust efflux velocities and temperatures contours for Ground Idle, Breakaway and Maximum Take-Off (MTO) conditions.

#### **\*\*ON A/C A320neo**

##### 2. General

This section provides the estimated engine exhaust velocity and temperature contours for MTO, Breakaway 12% MTO, Breakaway 24% MTO and Ground Idle conditions for the CFM LEAP-1A and PW 1100G engines.

The MTO data are presented at the maximum thrust rating. The Breakaway data are presented at a rating that corresponds to the minimum thrust level necessary to start the movement of the A/C from a static position at its maximum ramp weight. Breakaway thrust corresponds to 12% MTO if applied on both engines and 24% MTO when applied on a single engine (Idle thrust on the other engine).

The Idle data, provided by the engine manufacturer, are calculated for operational conditions ISA +15K (+15°C), Sea Level, Static and no headwind. In the charts, the longitudinal distances are measured from the inboard engine core-nozzle exit section. The lateral distances are measured from the aircraft fuselage centerline.

The effects of on-wing installation are not taken into account. The effects of ground proximity are not taken into account for PW 1100G engines, but they are taken into account for the CFM LEAP-1A engines.

The velocity contours are presented at 50 ft/s (15 m/s), 100 ft/s (30 m/s) and 150 ft/s (46 m/s).



## AIRCRAFT CHARACTERISTICS - AIRPORT AND MAINTENANCE PLANNING

The temperature contours are shown at 313K (+40°C), 323K (+50°C) and 333K (+60°C). The velocity and temperature contours do not take into account possible variations affecting performance, such as ambient temperature, field elevation or failure cases leading to an abnormal bleed configuration. To evaluate the impact of these specific variables on the exhaust contours, a specific study of the airport where the aircraft is intended to operate should be carried out.

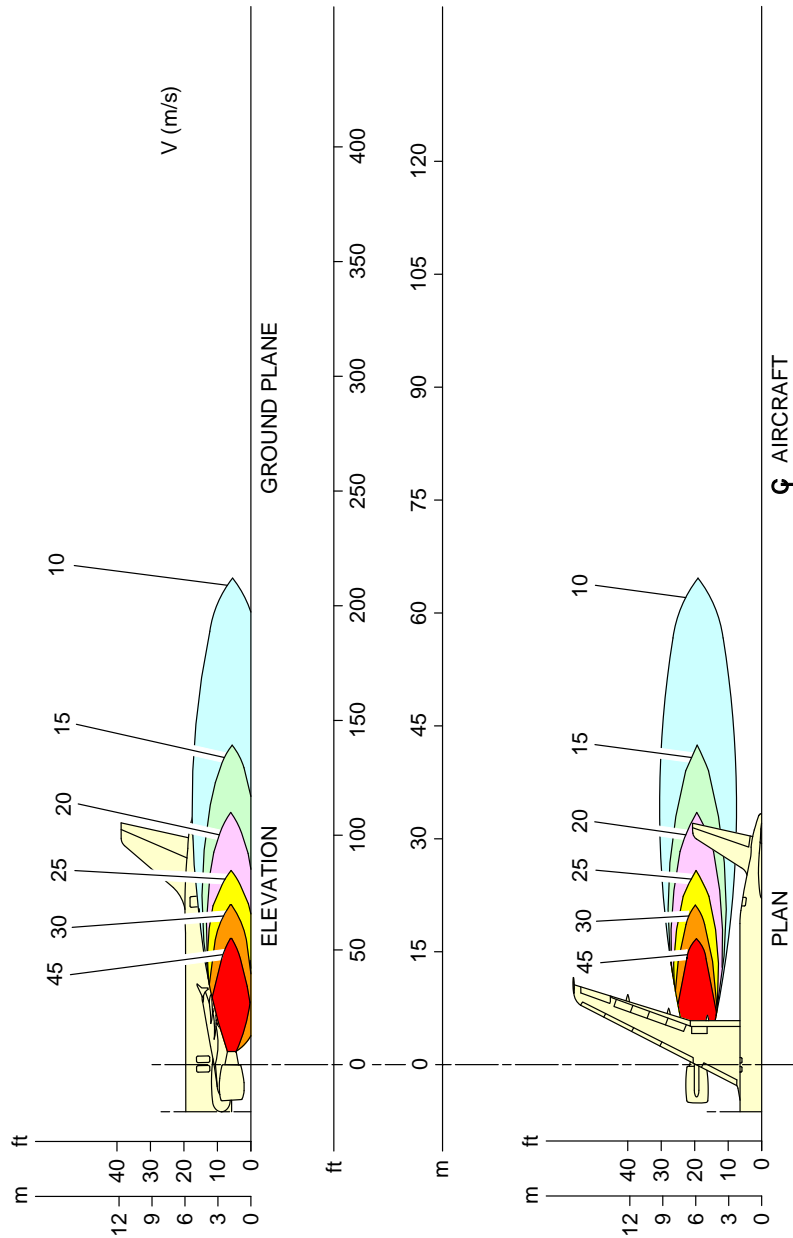
## 6-1-1 Engine Exhaust Velocities Contours - Ground Idle Power

**\*\*ON A/C A320-200 A320neo**

### Engine Exhaust Velocities Contours - Ground Idle Power

1. This section provides engine exhaust velocities contours at ground idle power.

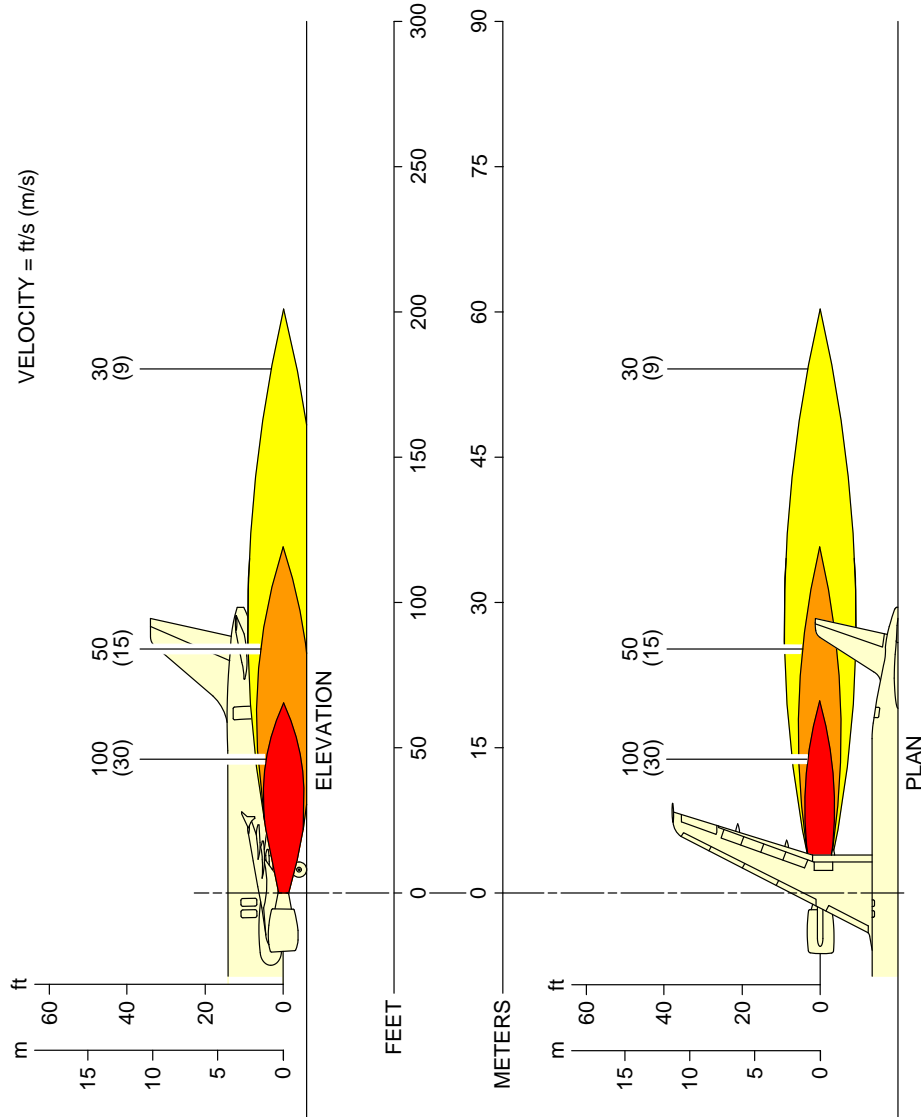
**\*\*ON A/C A320-200**



N\_AC\_060101\_1\_0050101\_01\_01

Engine Exhaust Velocities  
 Ground Idle Power – CFM56 Series Engine  
 FIGURE-6-1-1-991-005-A01

**\*\*ON A/C A320-200**



N\_AC\_060101\_1\_0060101\_01\_00

Engine Exhaust Velocities  
 Ground Idle Power – IAE V2500 Series Engine  
 FIGURE-6-1-1-991-006-A01

**\*\*ON A/C A320neo**

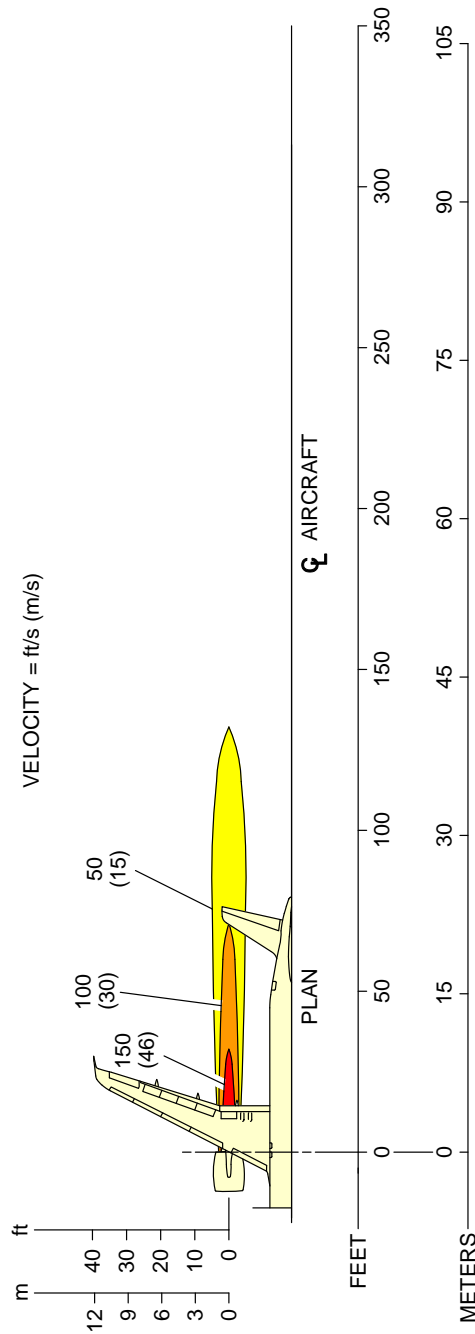


**NOTE:**  
GROUND IDLE, SEA LEVEL, ISA+15K DAY, FN = 1 591 lbf.

N\_AC\_060101\_1\_0110101\_01\_00

Engine Exhaust Velocities  
Ground Idle Power – CFM LEAP-1A Engine  
FIGURE-6-1-1-991-011-A01

**\*\*ON A/C A320neo**



N\_AC\_060101\_1\_0120101\_01\_00

Engine Exhaust Velocities  
 Ground Idle Power – PW 1100G Engine  
 FIGURE-6-1-1-991-012-A01



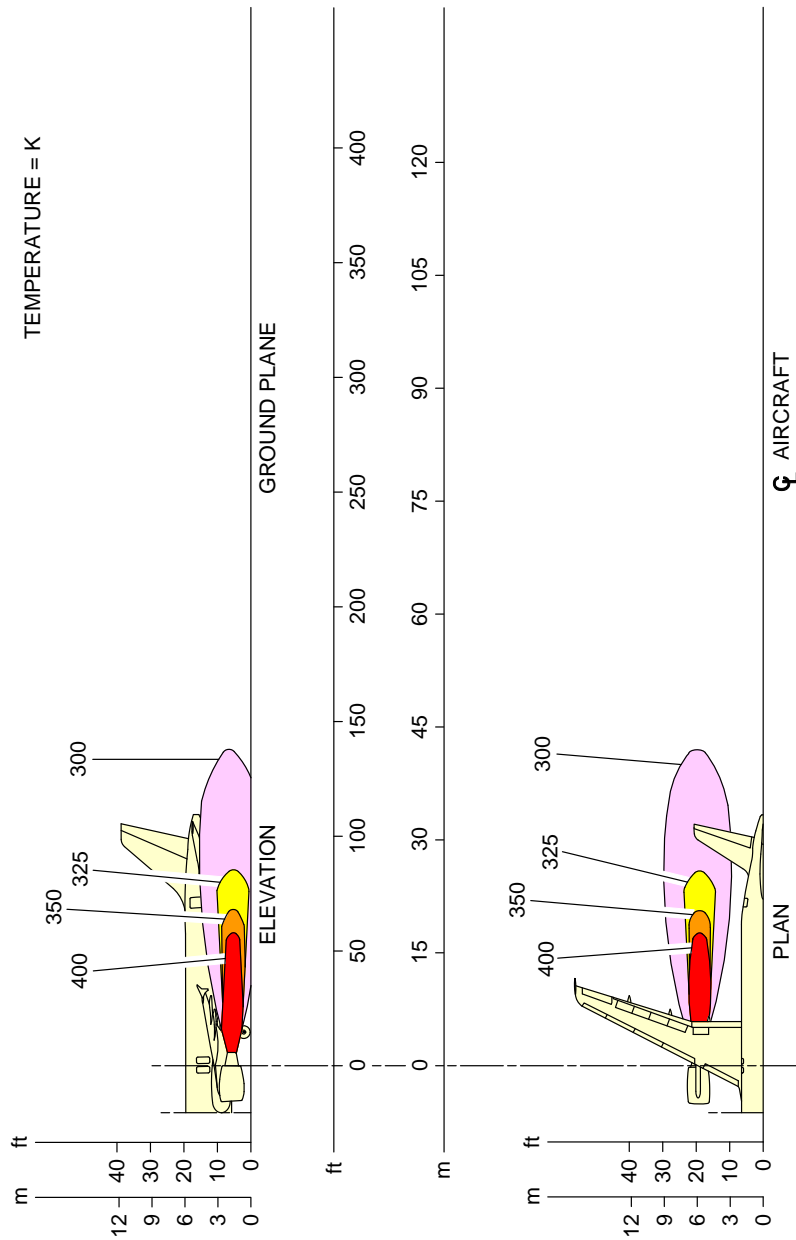
## 6-1-2 Engine Exhaust Temperatures Contours - Ground Idle Power

**\*\*ON A/C A320-200 A320neo**

Engine Exhaust Temperatures Contours - Ground Idle Power

1. This section provides engine exhaust temperatures contours at ground idle power.

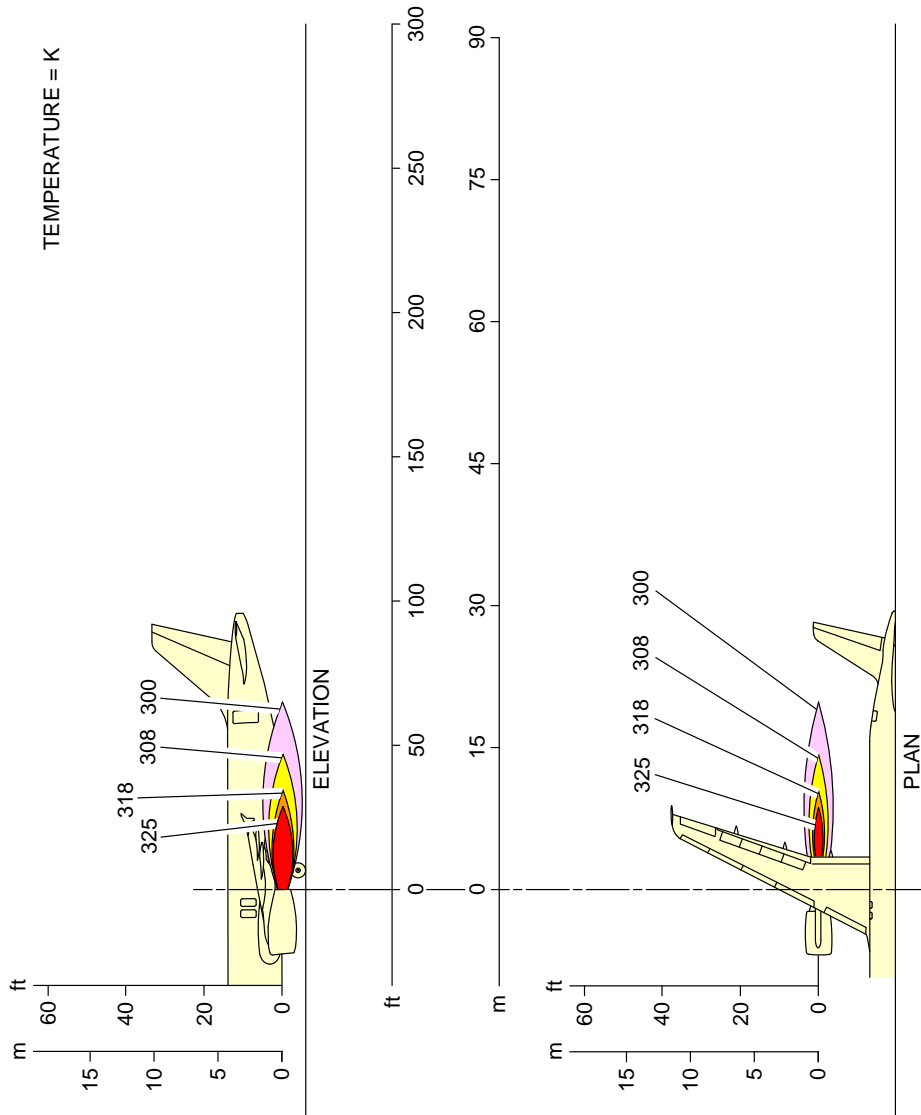
**\*\*ON A/C A320-200**



N\_AC\_060102\_1\_0050101\_01\_01

Engine Exhaust Temperatures  
 Ground Idle Power – CFM56 Series Engine  
 FIGURE-6-1-2-991-005-A01

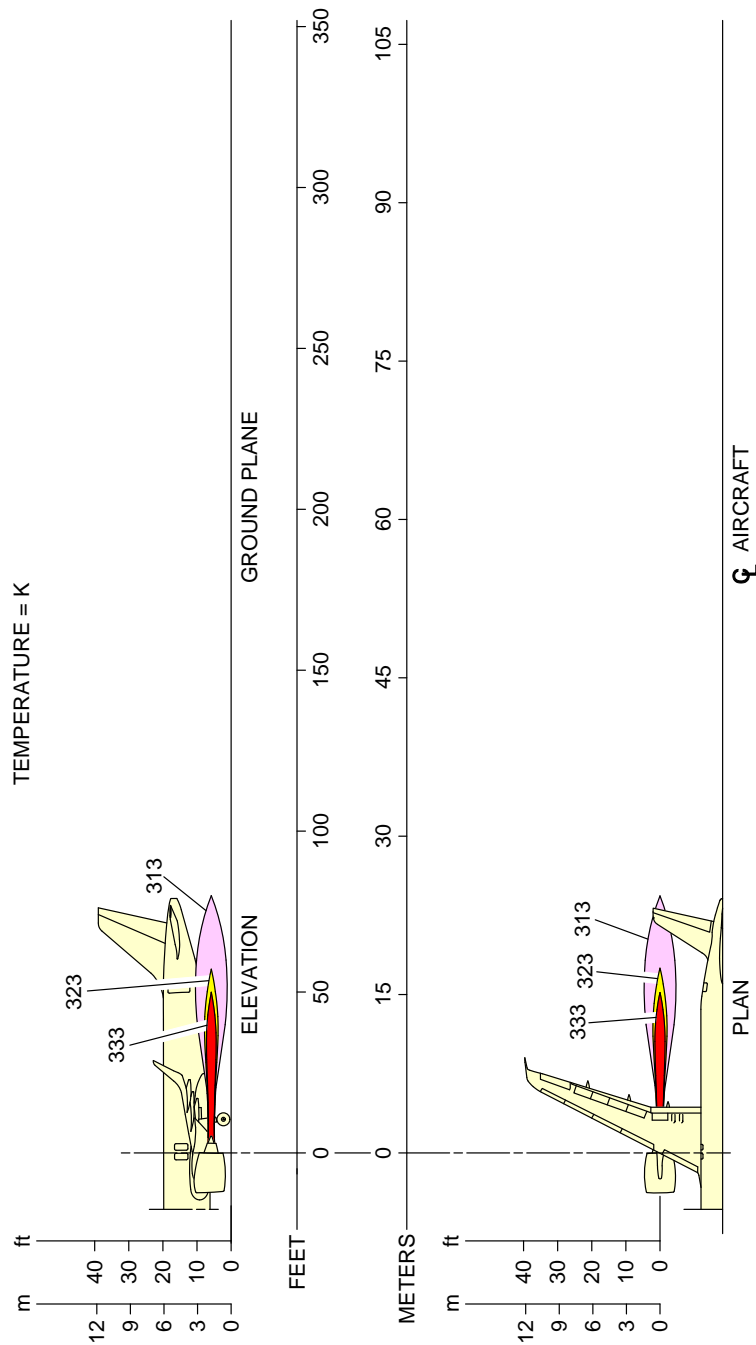
**\*\*ON A/C A320-200**



N\_AC\_060102\_1\_0060101\_01\_01

Engine Exhaust Temperatures  
 Ground Idle Power – IAE V2500 Series Engine  
 FIGURE-6-1-2-991-006-A01

**\*\*ON A/C A320neo**

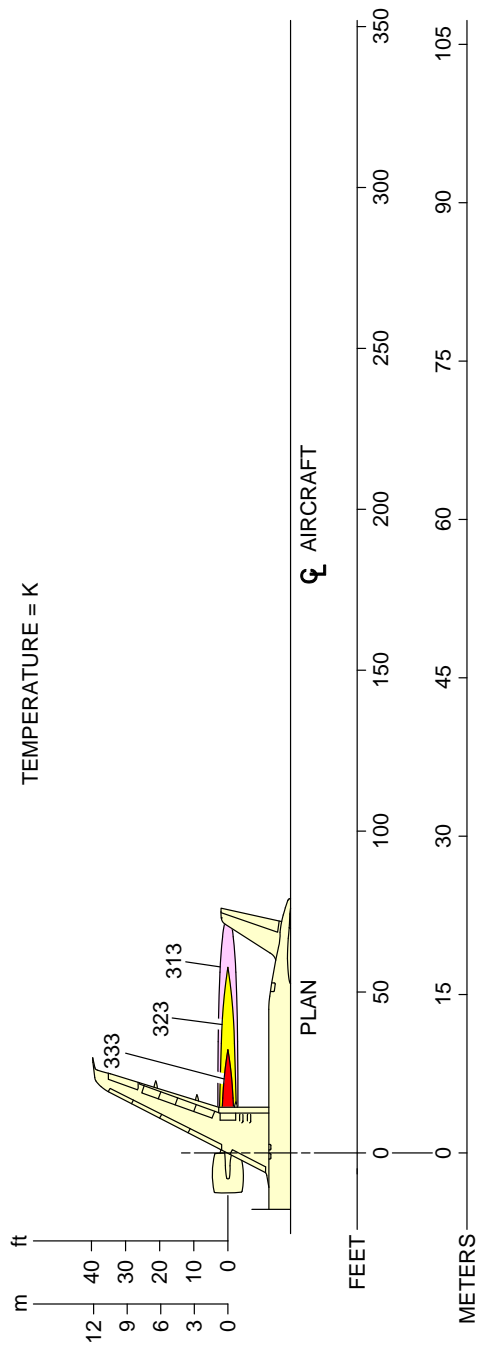


**NOTE:**  
GROUND IDLE, SEA LEVEL, ISA+15K DAY, FN = 1 591 lbf.

N\_AC\_060102\_1\_0110101\_01\_00

Engine Exhaust Temperatures  
Ground Idle Power – CFM LEAP-1A Engine  
FIGURE-6-1-2-991-011-A01

**\*\*ON A/C A320neo**



N\_AC\_060102\_1\_0120101\_01\_00

Engine Exhaust Temperatures  
 Ground Idle Power – PW 1100G Engine  
 FIGURE-6-1-2-991-012-A01

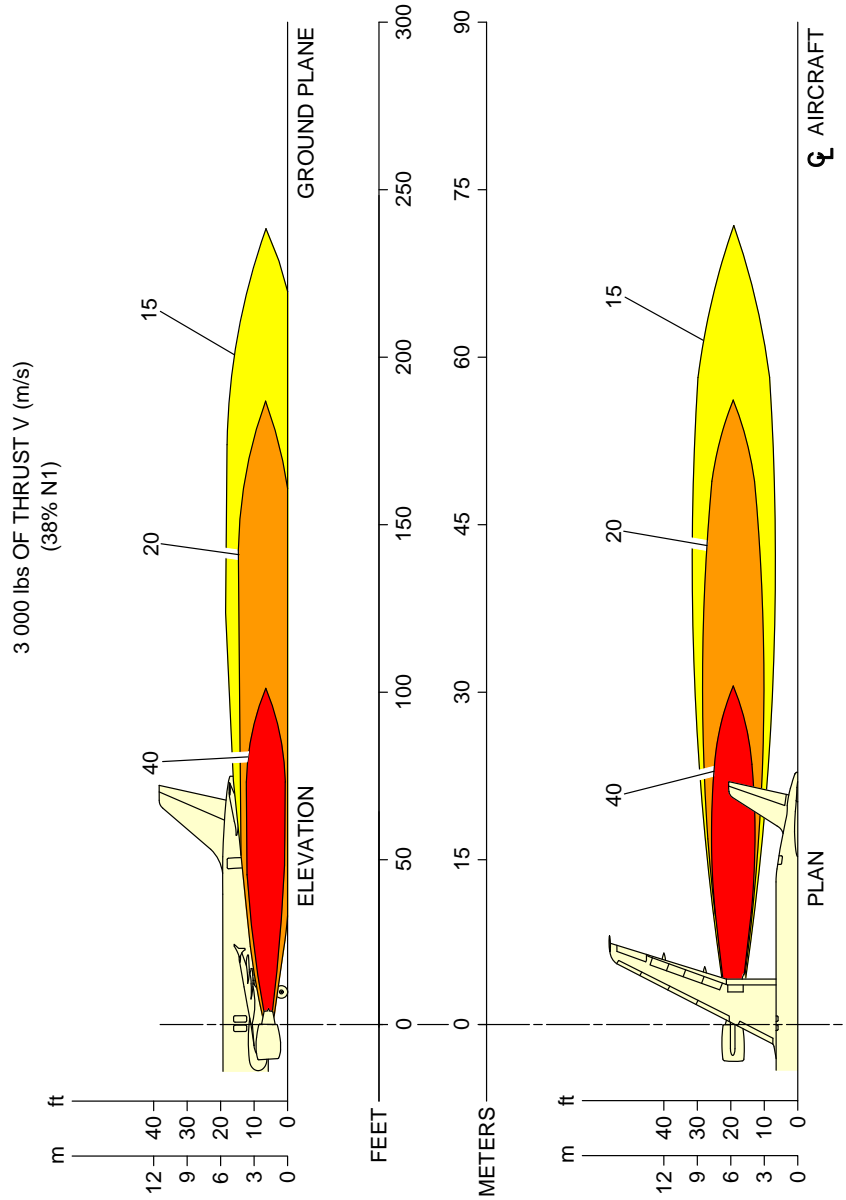
### 6-1-3 Engine Exhaust Velocities Contours - Breakaway Power

**\*\*ON A/C A320-200 A320neo**

#### Engine Exhaust Velocities Contours - Breakaway Power

1. This section provides engine exhaust velocities contours at breakaway power.

**\*\*ON A/C A320-200**

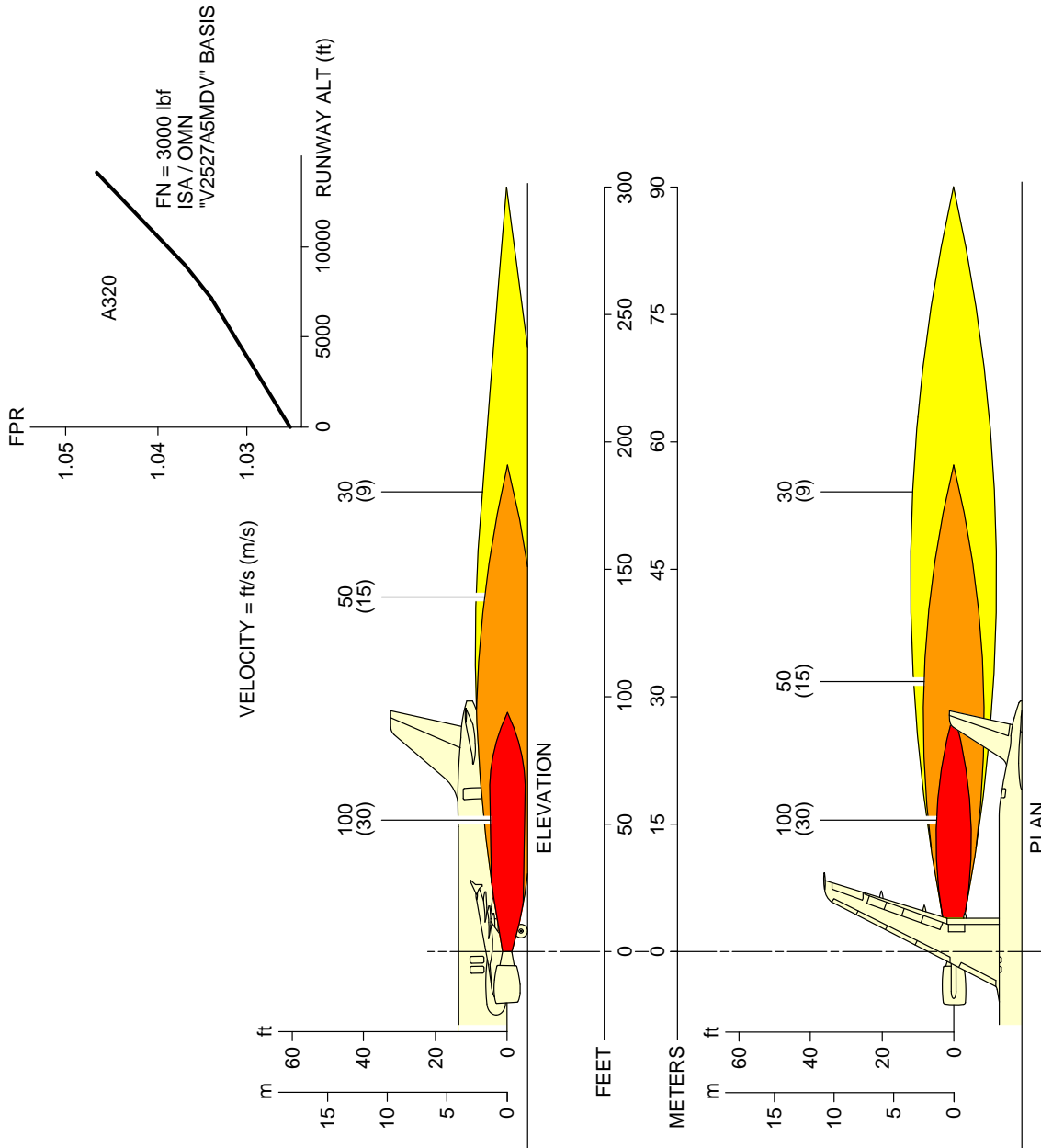


**NOTE:**  
 - ADD + 1% N1 PER + 15°C (27°F) ABOVE ISA TEMPERATURE CONDITIONS  
 - ADD + 1% N1 PER 2 000 ft

N\_AC\_060103\_1\_0030101\_01\_01

Engine Exhaust Velocities  
 Breakaway Power – CFM56 Series Engine  
 FIGURE-6-1-3-991-003-A01

**\*\*ON A/C A320-200**

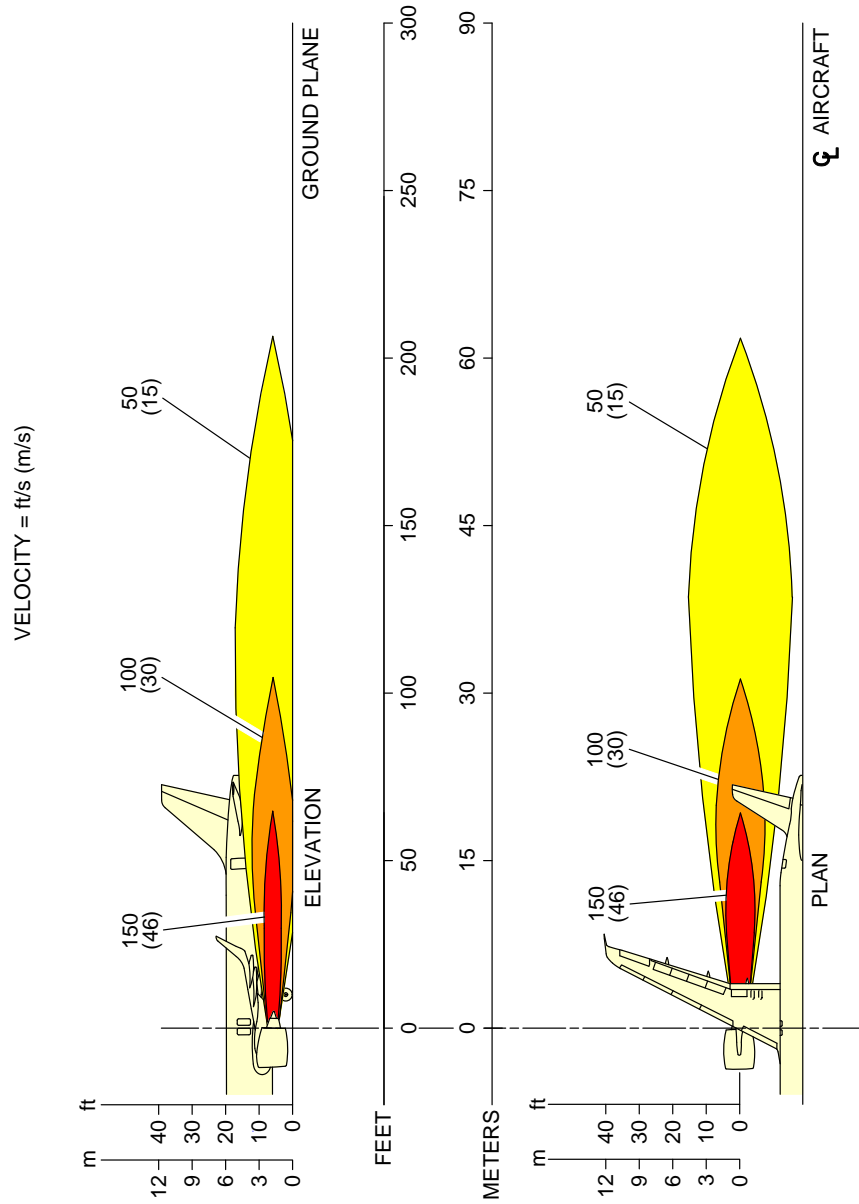


N\_AC\_060103\_1\_0040101\_01\_00

Engine Exhaust Velocities  
Breakaway Power – IAE V2500 Series Engine  
FIGURE-6-1-3-991-004-A01



**\*\*ON A/C A320neo**

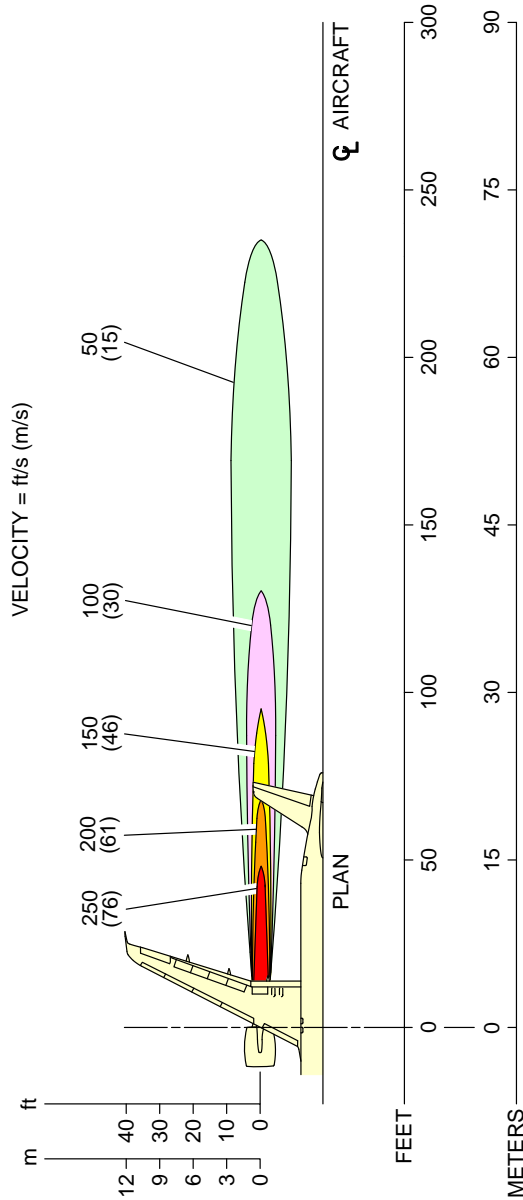


**NOTE:**  
TWO-ENGINE BREAKAWAY, SEA LEVEL, ISA+15K DAY, FN = 3 873 lbf.

N\_AC\_060103\_1\_0130101\_01\_00

Engine Exhaust Velocities  
Breakaway Power 12% MTO – CFM LEAP-1A Engine  
FIGURE-6-1-3-991-013-A01

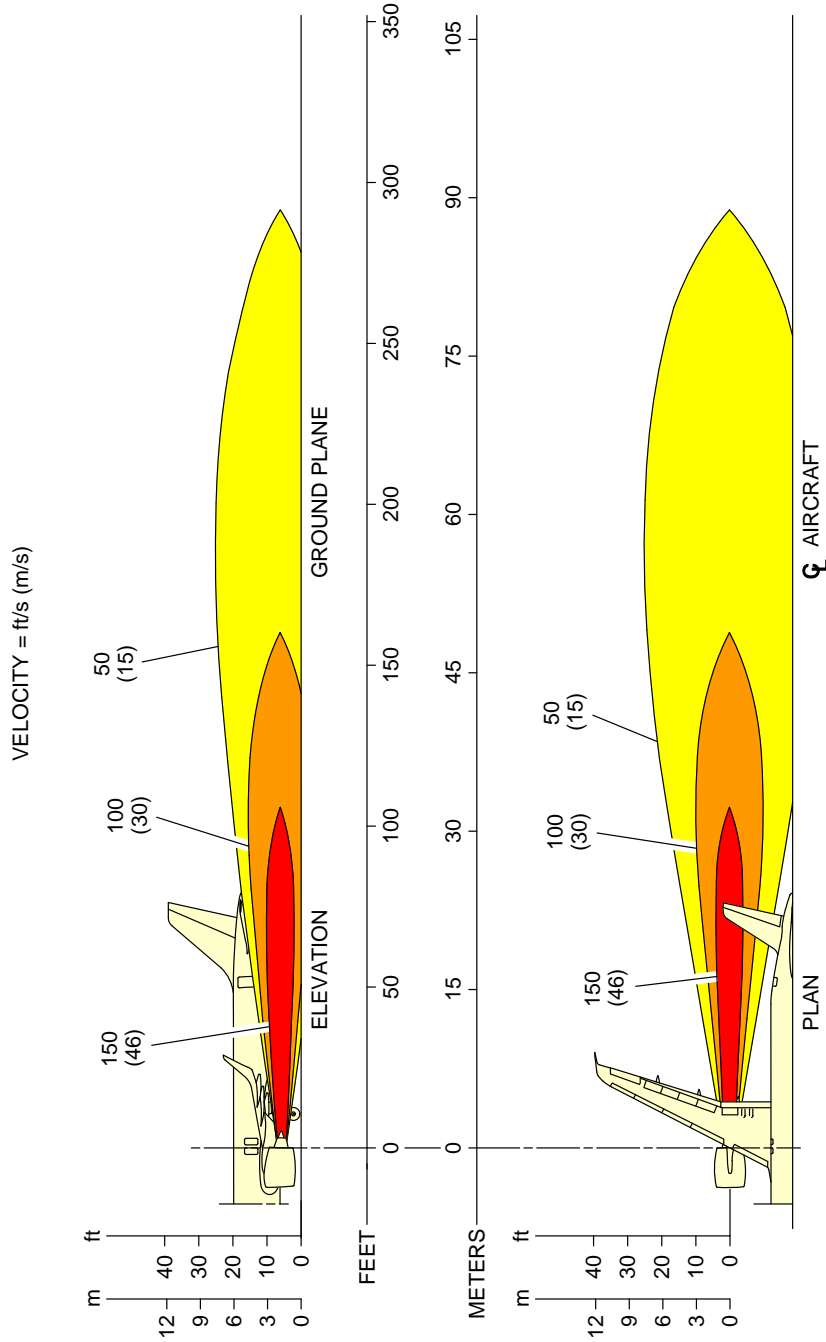
**\*\*ON A/C A320neo**



N\_AC\_060103\_1\_0140101\_01\_00

Engine Exhaust Velocities  
 Breakaway Power 12% MTO – PW 1100G Engine  
 FIGURE-6-1-3-991-014-A01

**\*\*ON A/C A320neo**

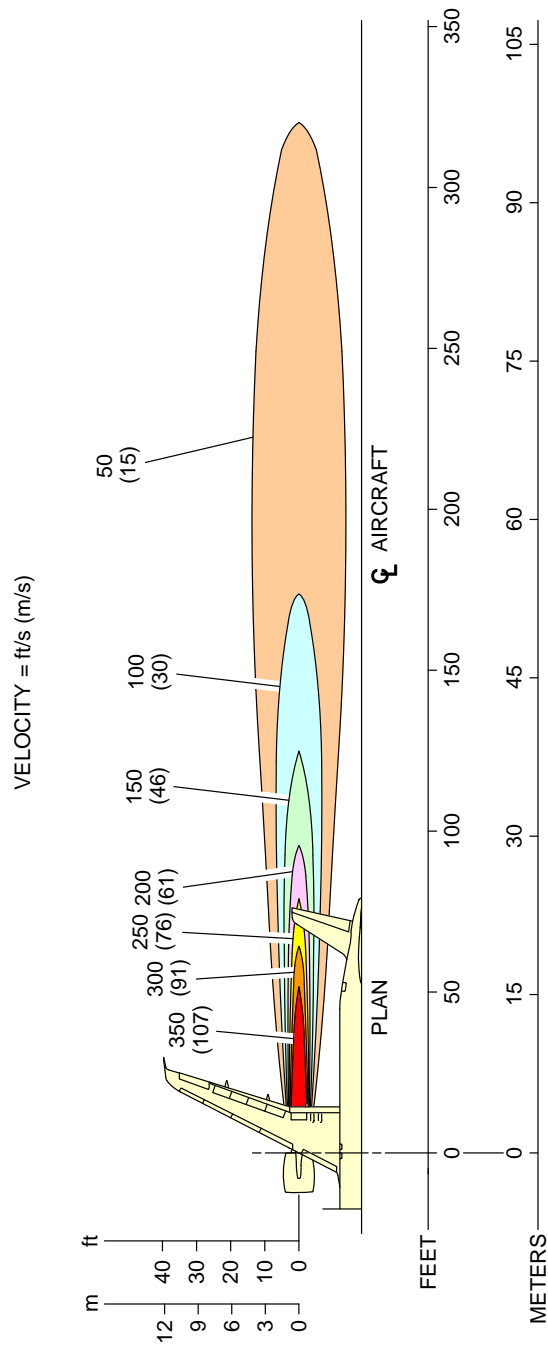


**NOTE:**  
ONE-ENGINE BREAKAWAY, SEA LEVEL, ISA+15K DAY, FN = 7 747 lbf.

N\_AC\_060103\_1\_0150101\_01\_00

Engine Exhaust Velocities  
Breakaway Power 24% MTO – CFM LEAP-1A Engine  
FIGURE-6-1-3-991-015-A01

**\*\*ON A/C A320neo**



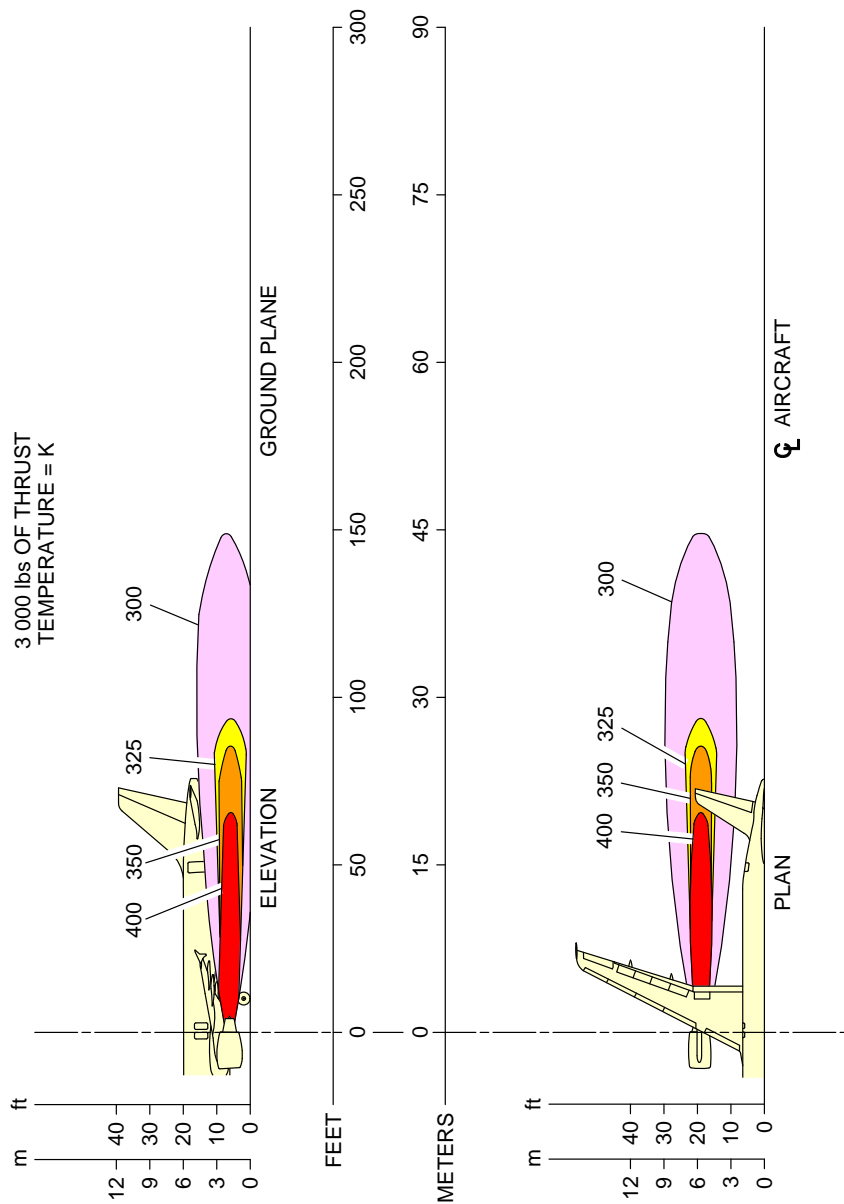
N\_AC\_060103\_1\_0160101\_01\_00

Engine Exhaust Velocities  
 Breakaway Power 24% MTO – PW 1100G Engine  
 FIGURE-6-1-3-991-016-A01

**6-1-4 Engine Exhaust Temperatures Contours - Breakaway Power****\*\*ON A/C A320-200 A320neo**Engine Exhaust Temperatures Contours - Breakaway Power

1. This section provides engine exhaust temperatures contours at breakaway power.

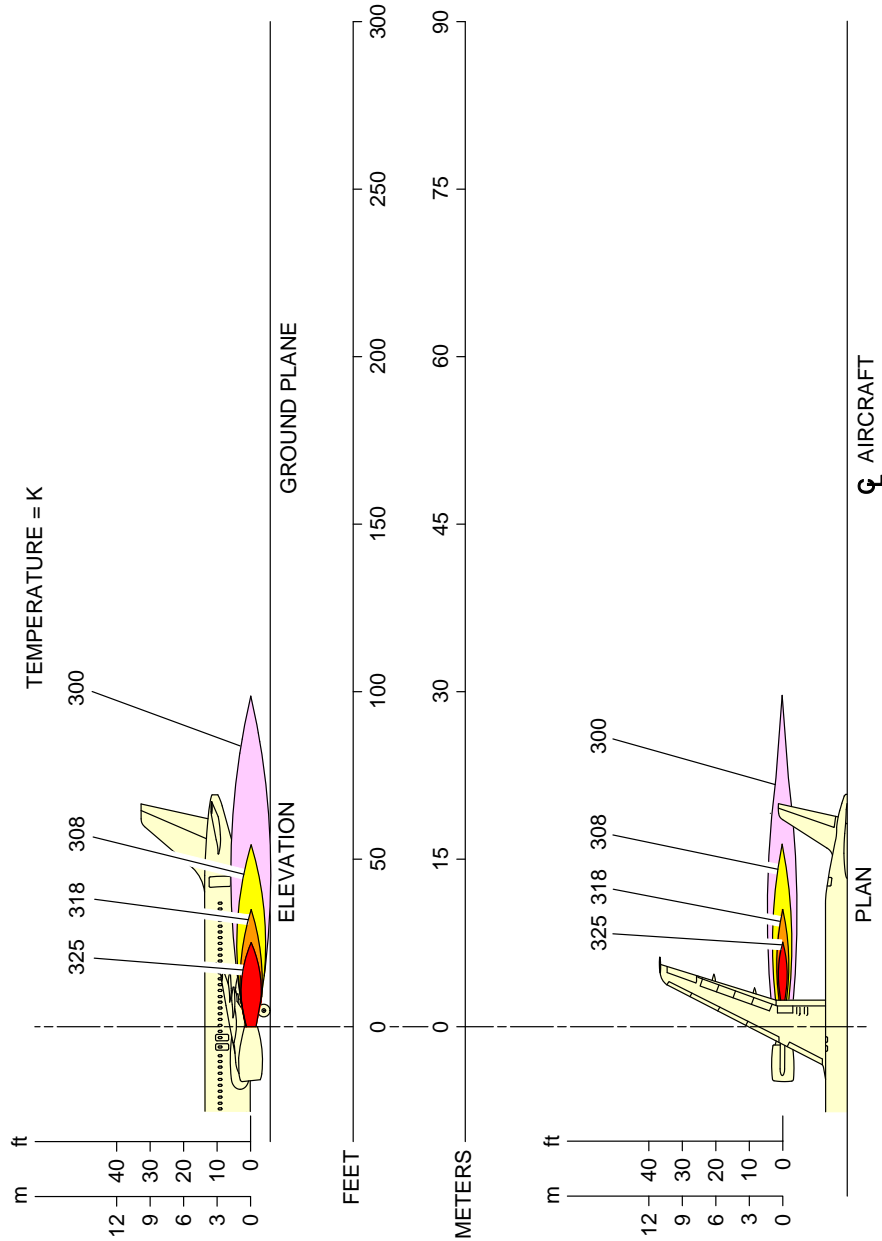
**\*\*ON A/C A320-200**



N\_AC\_060104\_1\_0030101\_01\_01

Engine Exhaust Temperatures  
Breakaway Power – CFM56 Series Engine  
FIGURE-6-1-4-991-003-A01

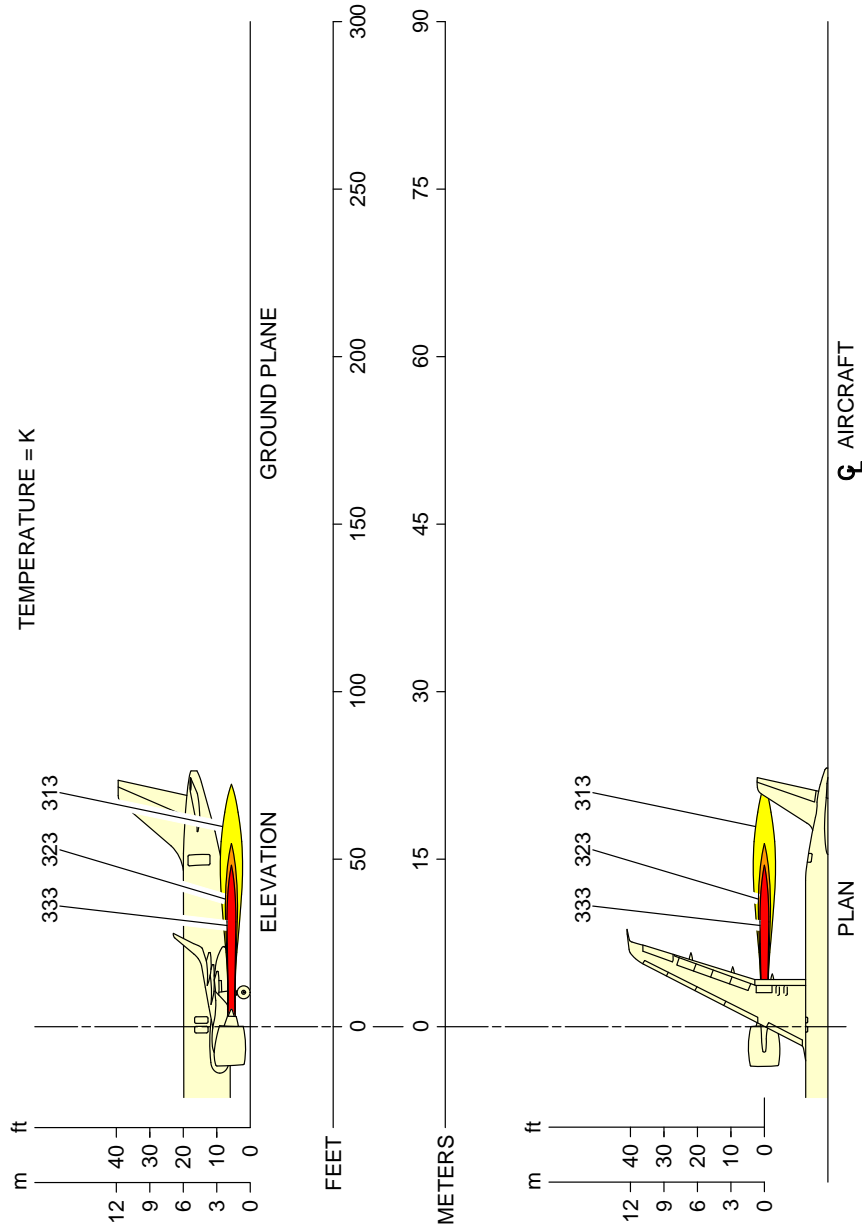
**\*\*ON A/C A320-200**



N\_AC\_060104\_1\_0040101\_01\_01

Engine Exhaust Temperatures  
Breakaway Power – IAE V2500 Series Engine  
FIGURE-6-1-4-991-004-A01

**\*\*ON A/C A320neo**



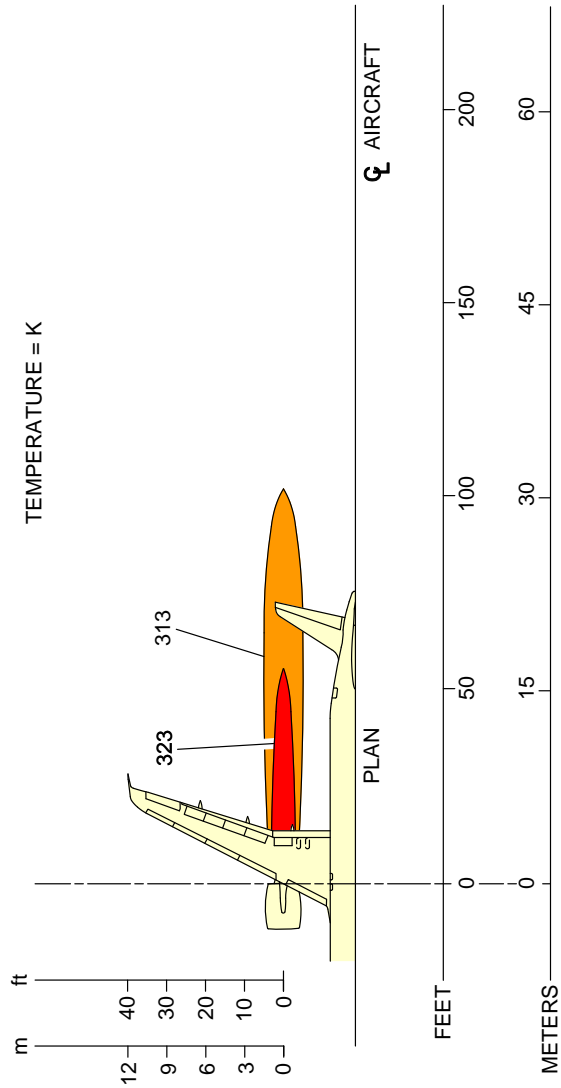
**NOTE:**  
TWO-ENGINE BREAKAWAY, SEA LEVEL, ISA+15K DAY, FN = 3 873 lbf.

N\_AC\_060104\_1\_0090101\_01\_00

Engine Exhaust Temperatures  
Breakaway Power 12% MTO - CFM LEAP-1A Engine  
FIGURE-6-1-4-991-009-A01



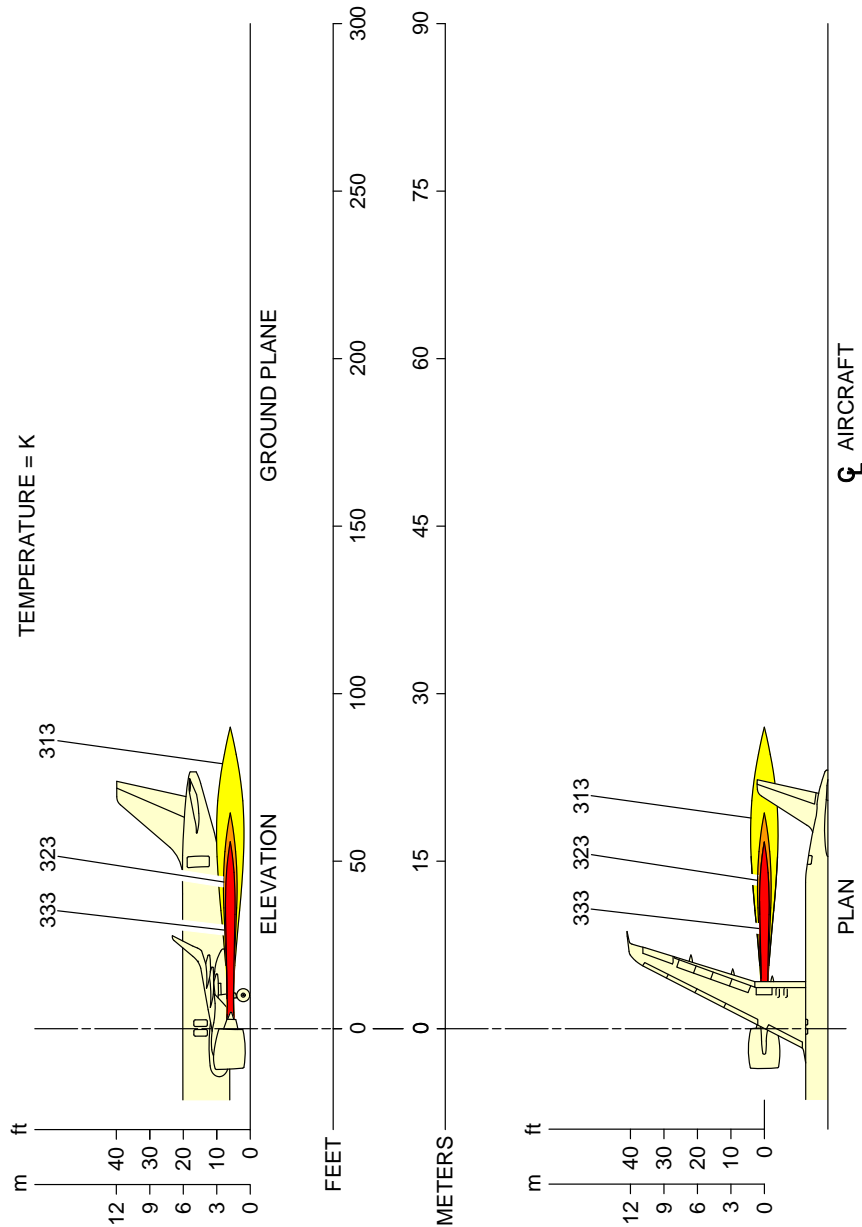
**\*\*ON A/C A320neo**



N\_AC\_060104\_1\_0100101\_01\_00

Engine Exhaust Temperatures  
 Breakaway Power 12% MTO - PW 1100G Engine  
 FIGURE-6-1-4-991-010-A01

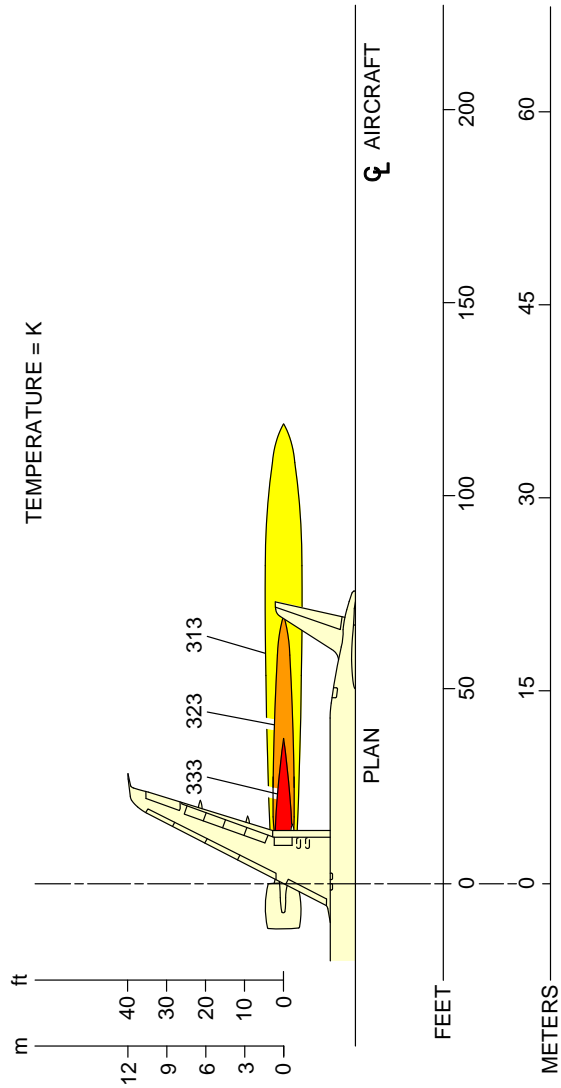
**\*\*ON A/C A320neo**



N\_AC\_060104\_1\_0110101\_01\_00

Engine Exhaust Temperatures  
 Breakaway Power 24% MTO - CFM LEAP-1A Engine  
 FIGURE-6-1-4-991-011-A01

**\*\*ON A/C A320neo**



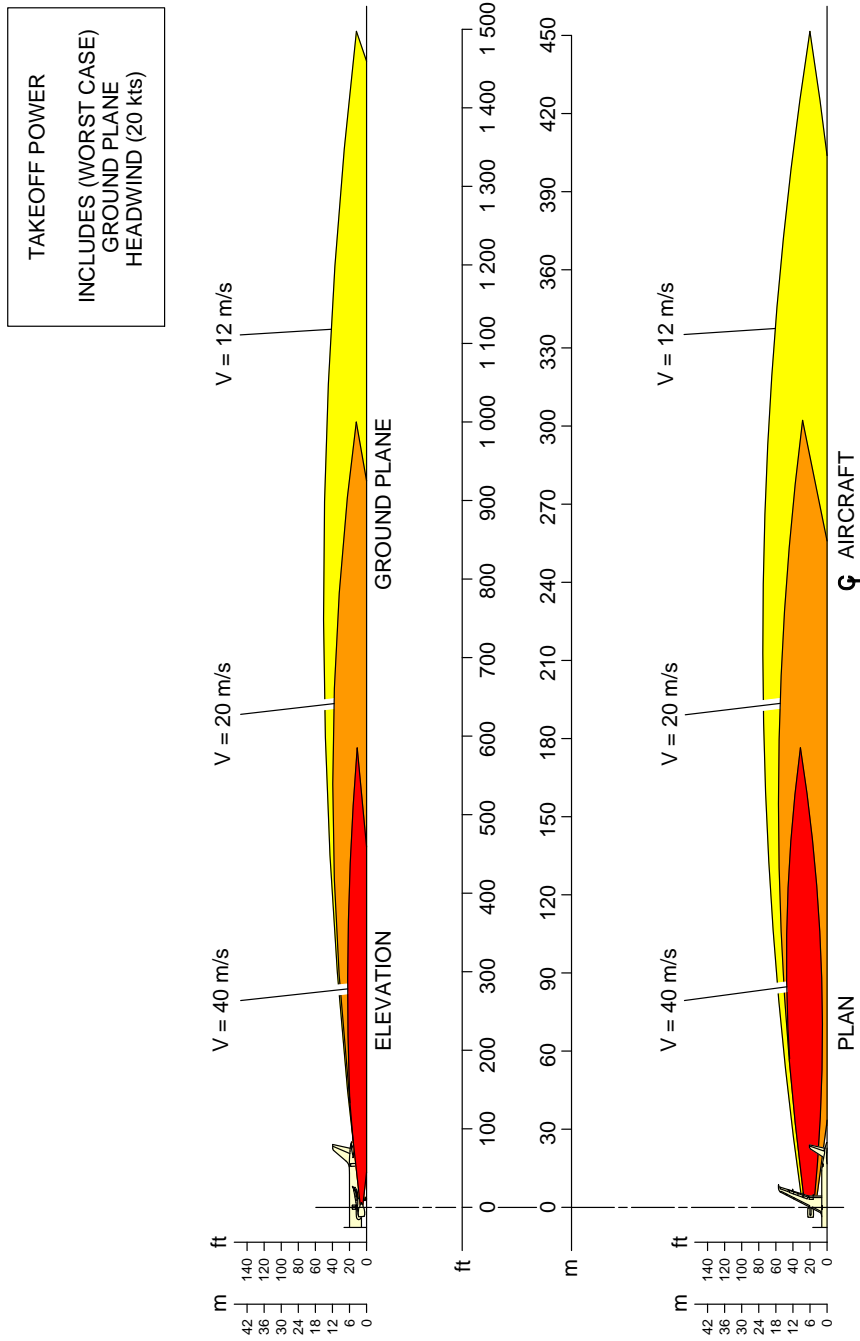
N\_AC\_060104\_1\_0120101\_01\_00

Engine Exhaust Temperatures  
 Breakaway Power 24% MTO - PW 1100G Engine  
 FIGURE-6-1-4-991-012-A01

**6-1-5 Engine Exhaust Velocities Contours - Takeoff Power****\*\*ON A/C A320-200 A320neo**Engine Exhaust Velocities Contours - Takeoff Power

1. This section provides engine exhaust velocities contours at takeoff power.

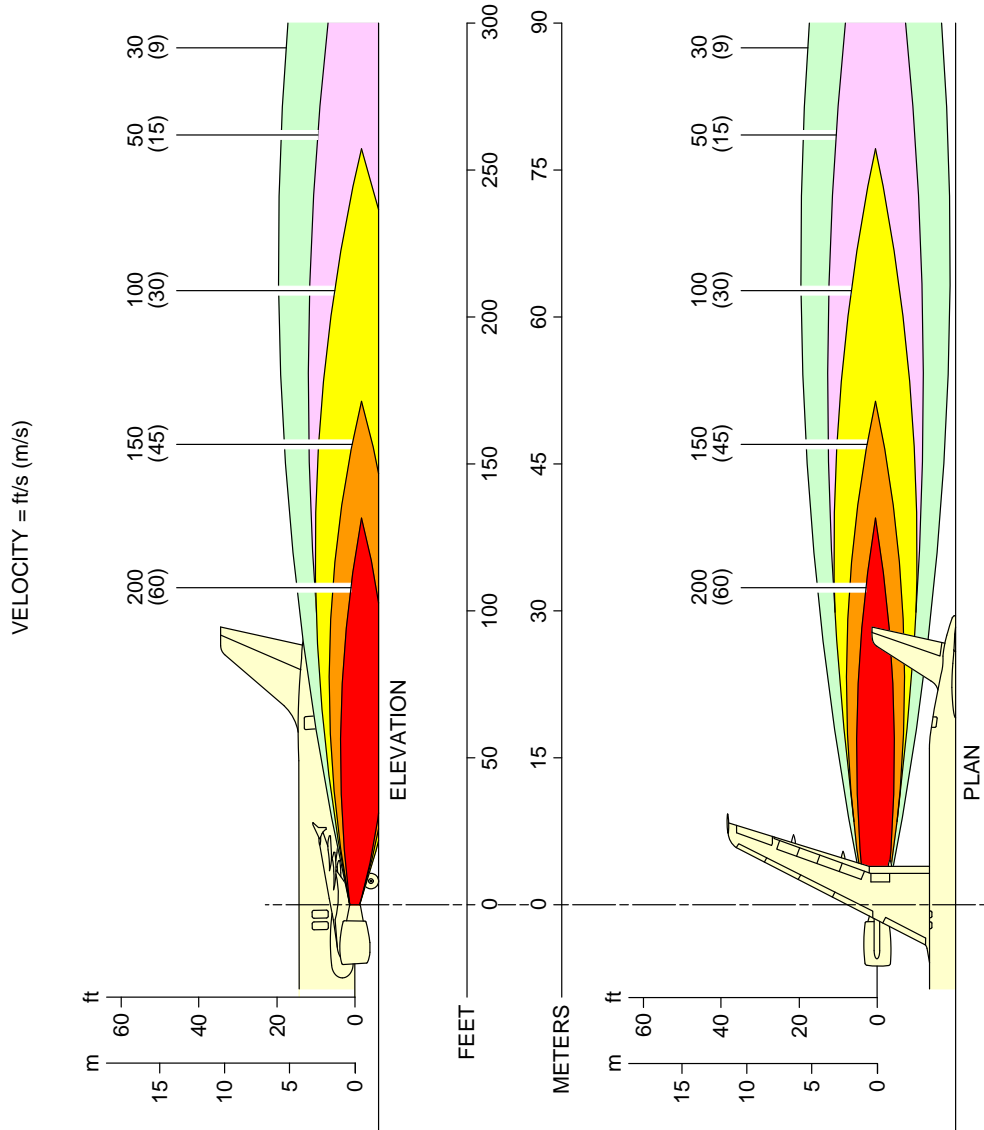
**\*\*ON A/C A320-200**



N\_AC\_060105\_1\_0050101\_01\_01

Engine Exhaust Velocities  
 Takeoff Power – CFM56 Series Engine  
 FIGURE-6-1-5-991-005-A01

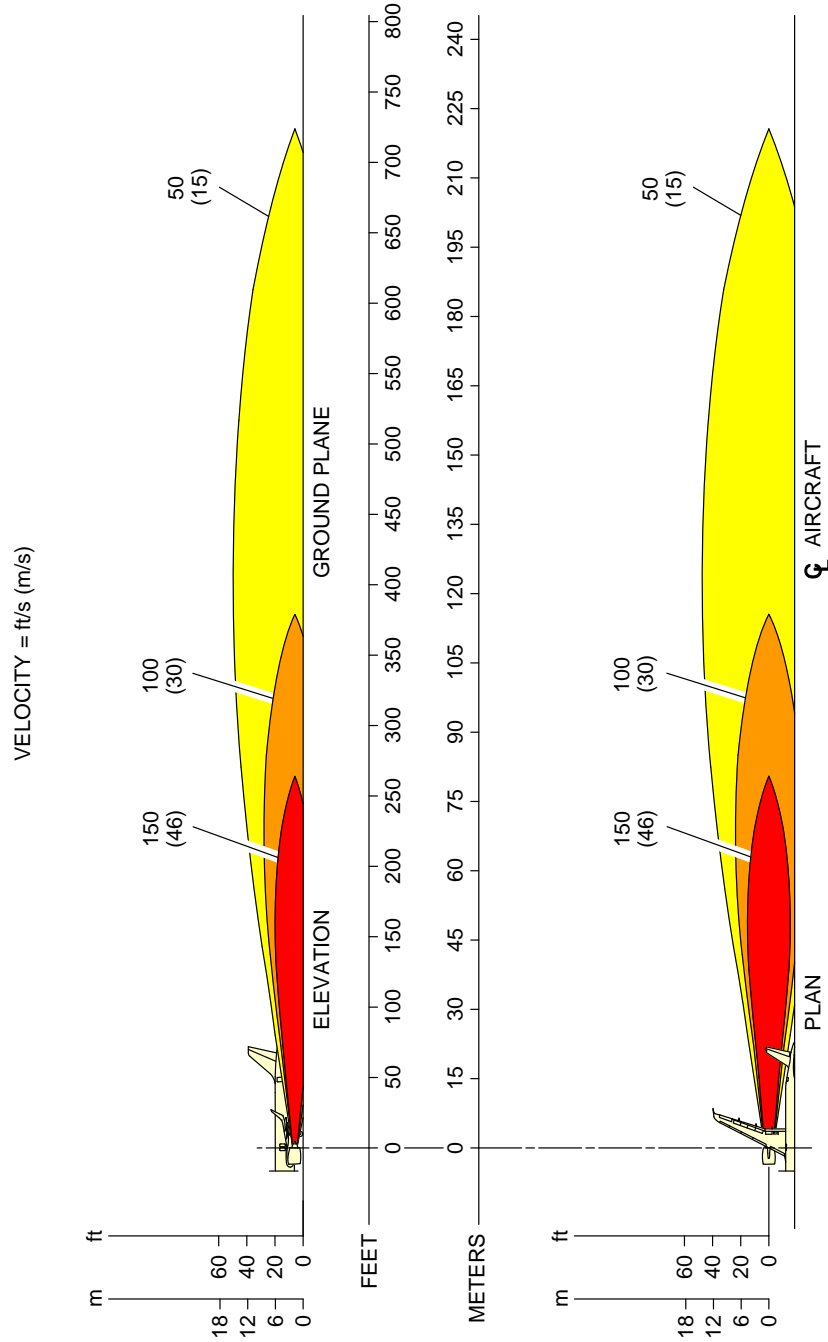
**\*\*ON A/C A320-200**



N\_AC\_060105\_1\_0060101\_01\_01

Engine Exhaust Velocities  
 Takeoff Power – IAE V2500 Series Engine  
 FIGURE-6-1-5-991-006-A01

**\*\*ON A/C A320neo**

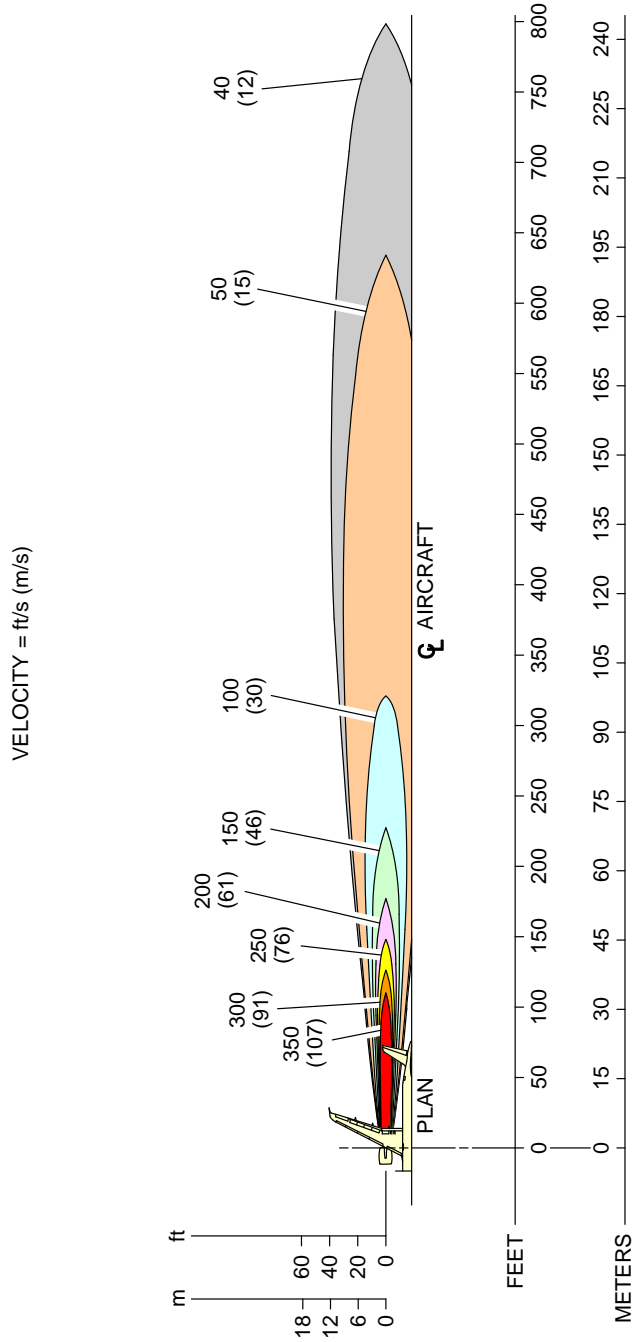


**NOTE:**  
MAX TAKEOFF, SEA LEVEL, ISA+15K, FN = 32 517 lbf.

N\_AC\_060105\_1\_0110101\_01\_00

Engine Exhaust Velocities  
Takeoff Power – CFM LEAP-1A Engine  
FIGURE-6-1-5-991-011-A01

**\*\*ON A/C A320neo**



N\_AC\_060105\_1\_0120101\_01\_00

Engine Exhaust Velocities  
 Takeoff Power – PW 1100G Engine  
 FIGURE-6-1-5-991-012-A01



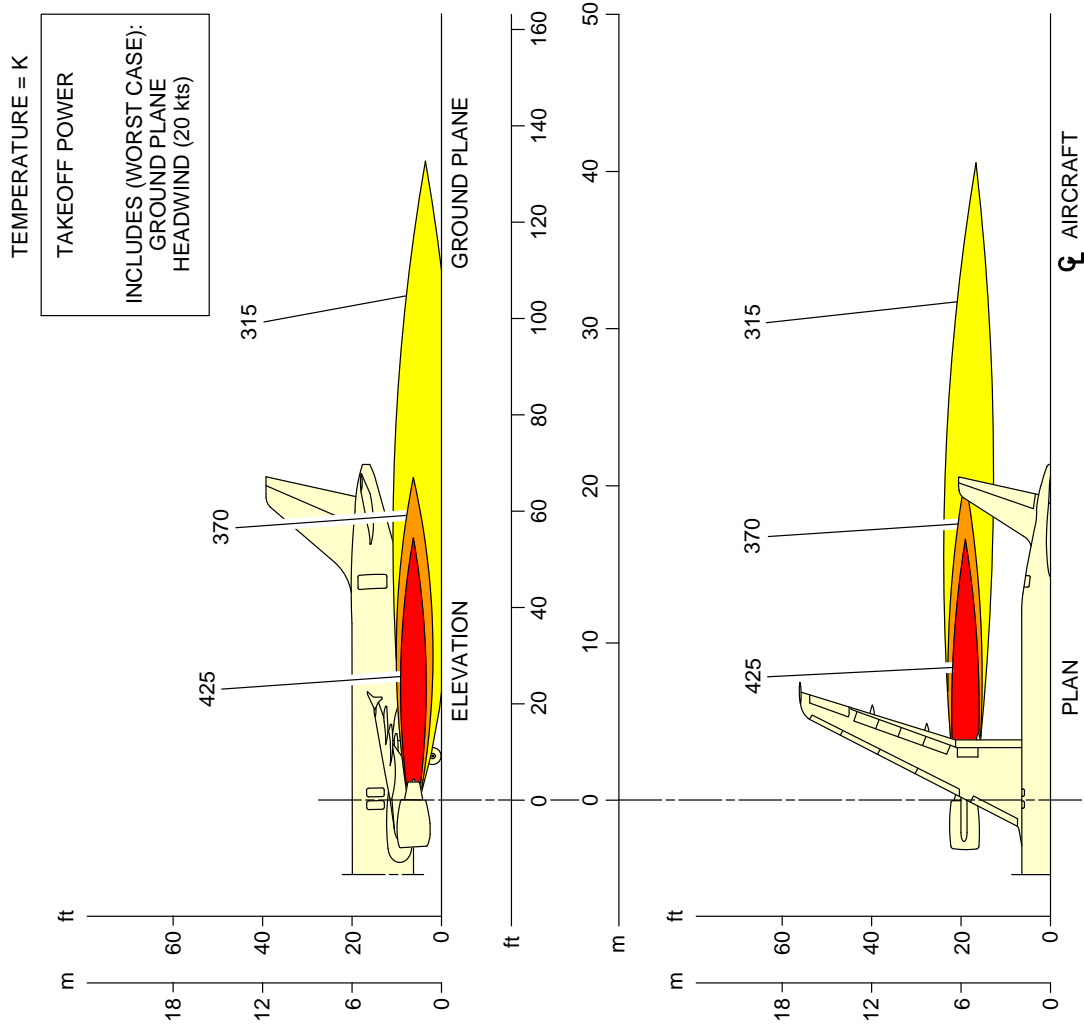
## 6-1-6 Engine Exhaust Temperatures Contours - Takeoff Power

**\*\*ON A/C A320-200 A320neo**

Engine Exhaust Temperatures Contours - Takeoff Power

1. This section provides engine exhaust temperatures contours at takeoff power.

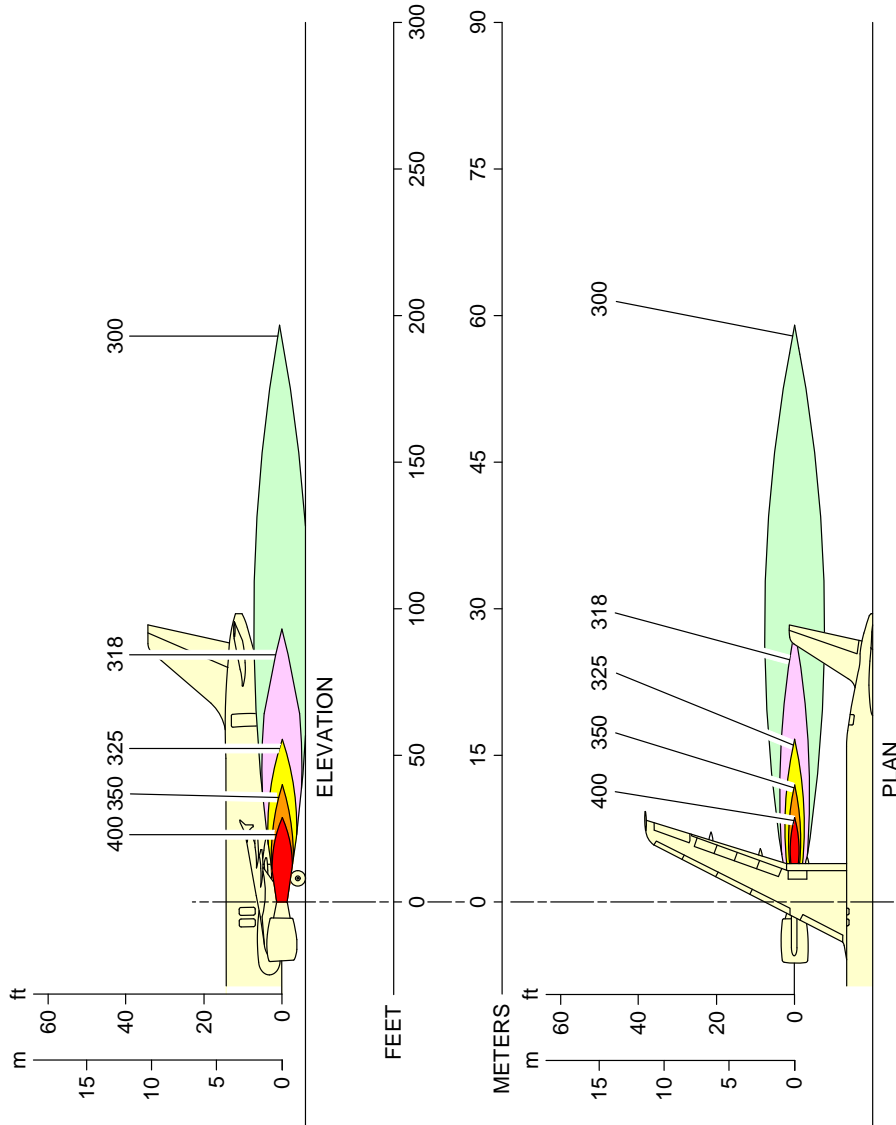
**\*\*ON A/C A320-200**



N\_AC\_060106\_1\_0050101\_01\_01

Engine Exhaust Temperatures  
 Takeoff Power – CFM56 Series Engine  
 FIGURE-6-1-6-991-005-A01

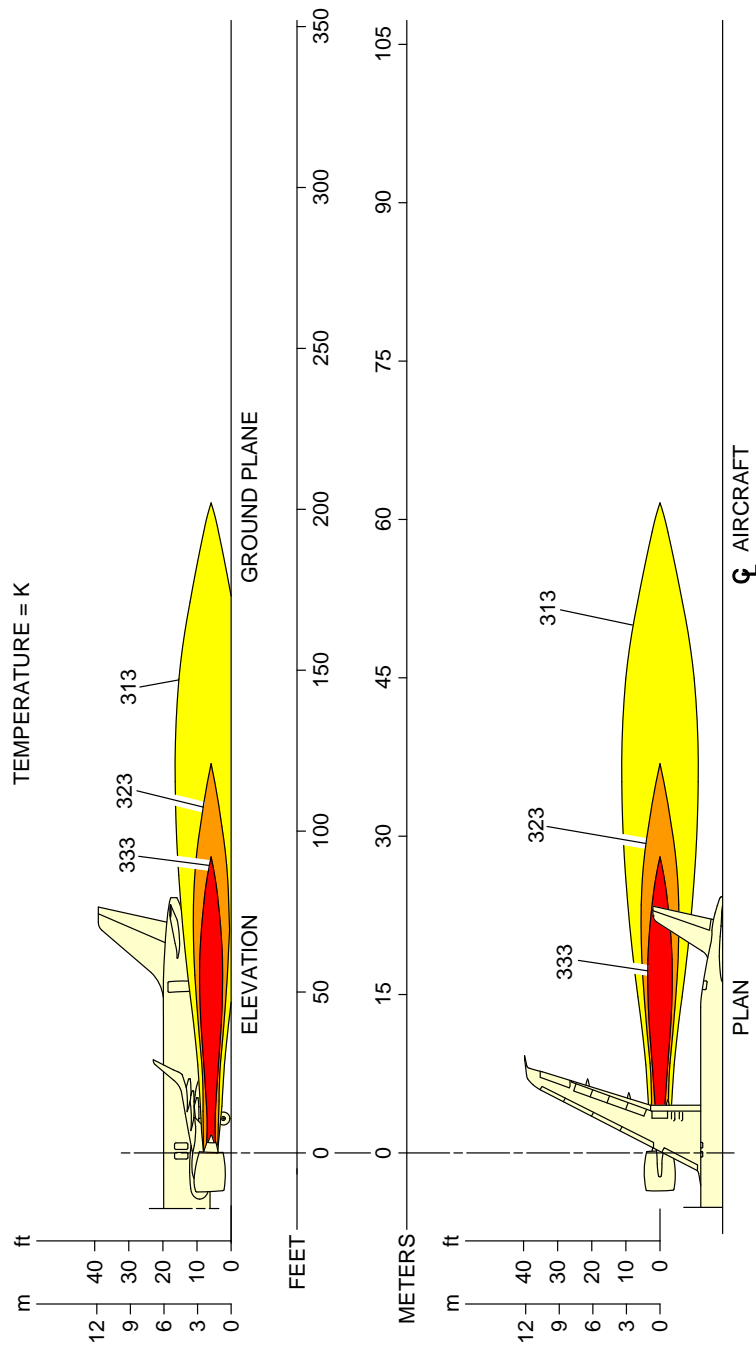
**\*\*ON A/C A320-200**



N\_AC\_060106\_1\_0060101\_01\_00

Engine Exhaust Temperatures  
 Takeoff Power – IAE V2500 Series Engine  
 FIGURE-6-1-6-991-006-A01

**\*\*ON A/C A320neo**

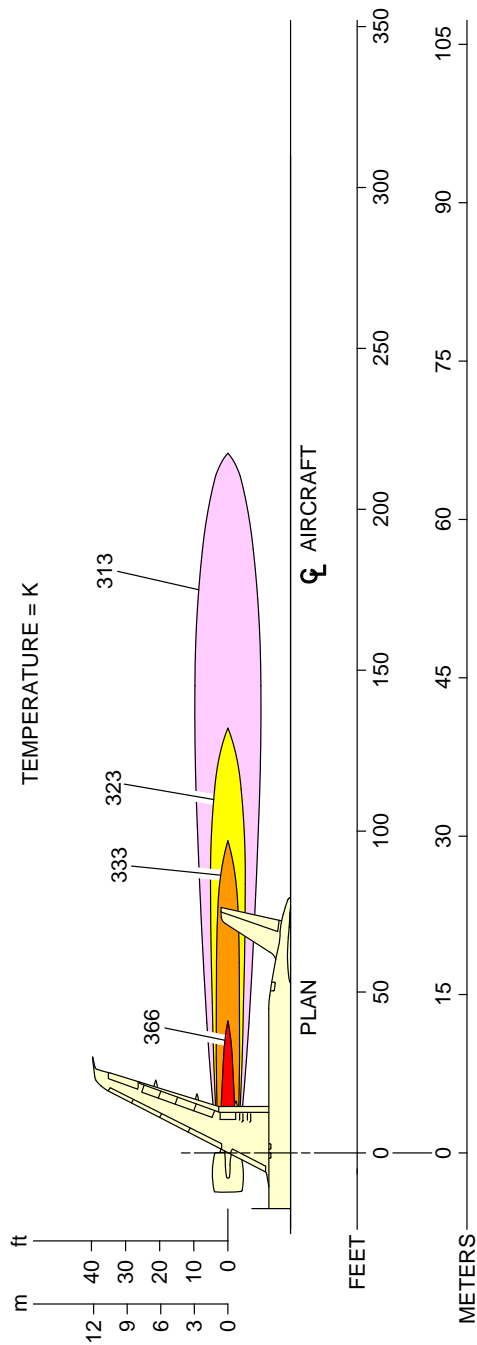


**NOTE:**  
MAX TAKEOFF, SEA LEVEL, ISA+15K DAY, FN = 32 517 lbf.

N\_AC\_060106\_1\_0110101\_01\_00

Engine Exhaust Temperatures  
Takeoff Power - CFM LEAP-1A Engine  
FIGURE-6-1-6-991-011-A01

**\*\*ON A/C A320neo**



N\_AC\_060106\_1\_0120101\_01\_00

Engine Exhaust Temperatures  
Takeoff Power - PW 1100G Engine  
FIGURE-6-1-6-991-012-A01

**6-3-0 Danger Areas of Engines****\*\*ON A/C A320-200 A320neo**Danger Areas of Engines

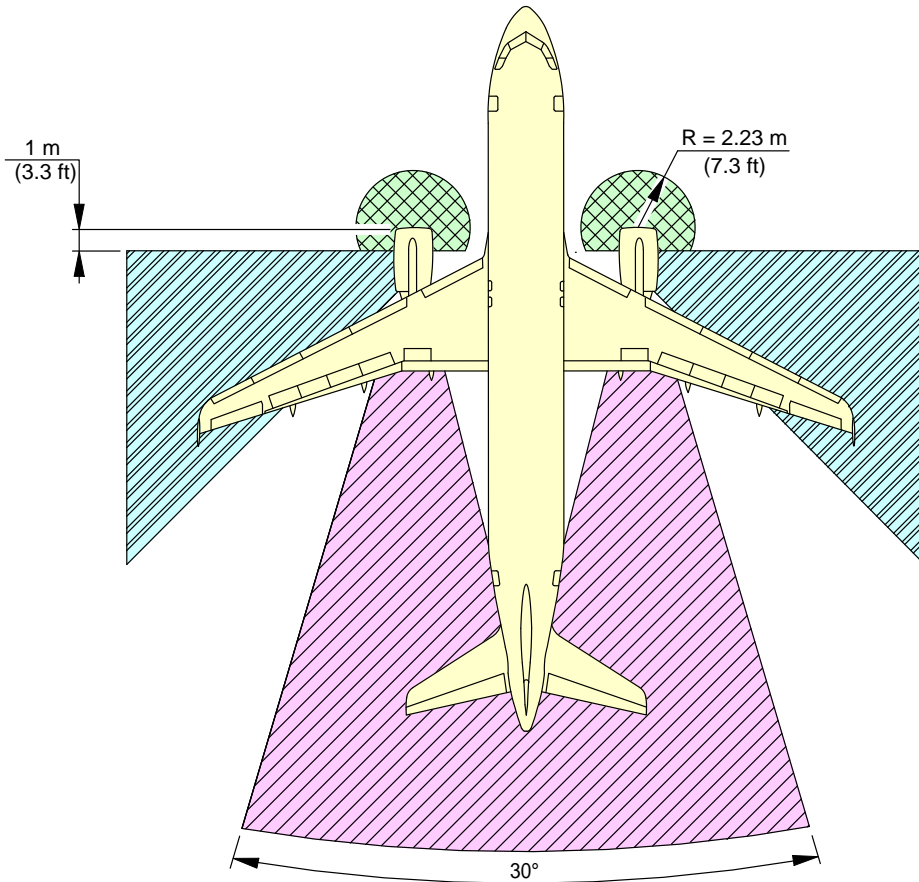
## 1. Danger Areas of the Engines

- A. The danger areas of the engines shown below are given in the normalized format:
- Entry corridors are only available at ground idle.
  - Do not go into the areas between the engines.
  - The exhaust danger areas are given for 0 kt headwind (if not specified otherwise).

**6-3-1 Ground Idle Power****\*\*ON A/C A320-200 A320neo**Ground Idle Power

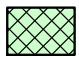
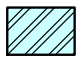

1. This section provides danger areas of the engines at ground idle power conditions.

**\*\*ON A/C A320-200**



TO 55 m (180 ft) AFT OF COMMON NOZZLE ASSEMBLY (CNA) INCLUDES CROSS WIND EFFECT

**NOTE:**

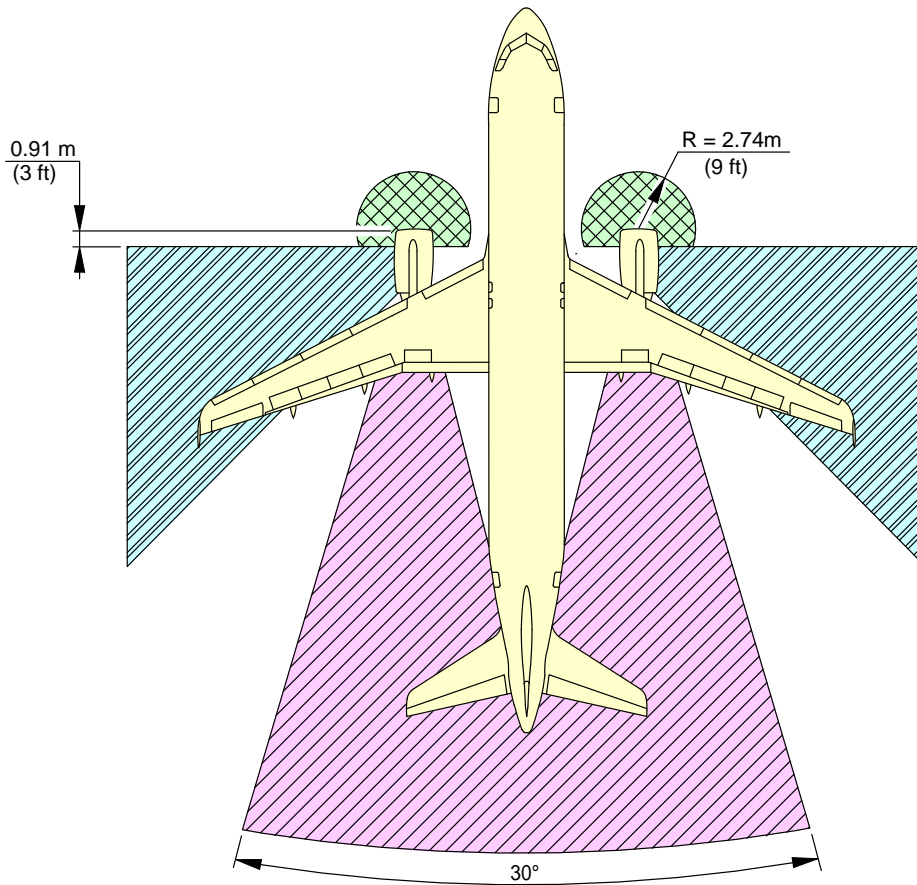
-  INLET SUCTION DANGER AREA
-  ENTRY CORRIDOR
-  EXHAUST WAKE DANGER AREA

N\_AC\_060301\_1\_0050101\_01\_04

Danger Areas of the Engines  
CFM56 Series Engine  
FIGURE-6-3-1-991-005-A01


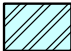



**\*\*ON A/C A320-200**



TO 55 m (180 ft) AFT OF COMMON NOZZLE ASSEMBLY (CNA) INCLUDES CROSS WIND EFFECT

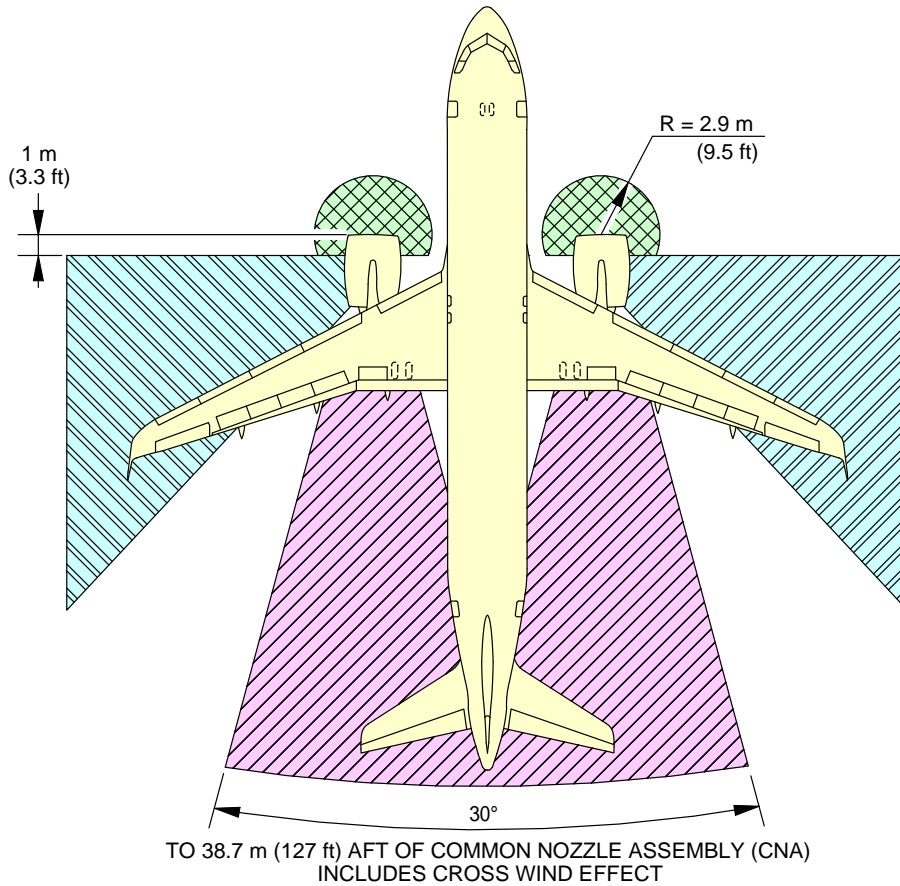
**NOTE:**

-  INTAKE SUCTION DANGER AREA MINIMUM IDLE POWER
-  ENTRY CORRIDOR
-  EXHAUST DANGER AREA


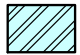

N\_AC\_060301\_1\_0060101\_01\_04

Danger Areas of the Engines  
IAE V2500 Series Engine  
FIGURE-6-3-1-991-006-A01

**\*\*ON A/C A320neo**



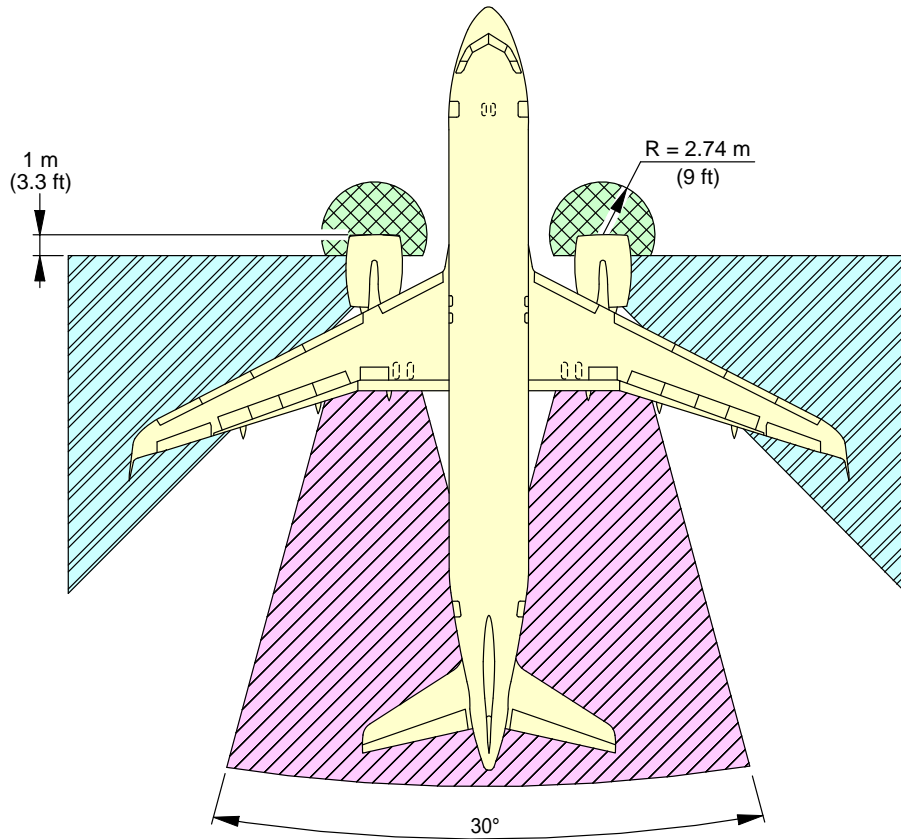
**NOTE:**

-  INTAKE SUCTION DANGER AREA MINIMUM IDLE POWER
-  ENTRY CORRIDOR
-  EXHAUST DANGER AREA

N\_AC\_060301\_1\_0130101\_01\_02




Danger Areas of the Engines  
CFM LEAP-1A Engine  
FIGURE-6-3-1-991-013-A01

**\*\*ON A/C A320neo**



TO 40.3 m (132 ft) AFT OF COMMON NOZZLE ASSEMBLY (CNA) INCLUDES CROSS WIND EFFECT

**NOTE:**

-  INTAKE SUCTION DANGER AREA MINIMUM IDLE POWER
-  ENTRY CORRIDOR
-  EXHAUST DANGER AREA

N\_AC\_060301\_1\_0140101\_01\_02

Danger Areas of the Engines  
PW 1100G Engine  
FIGURE-6-3-1-991-014-A01

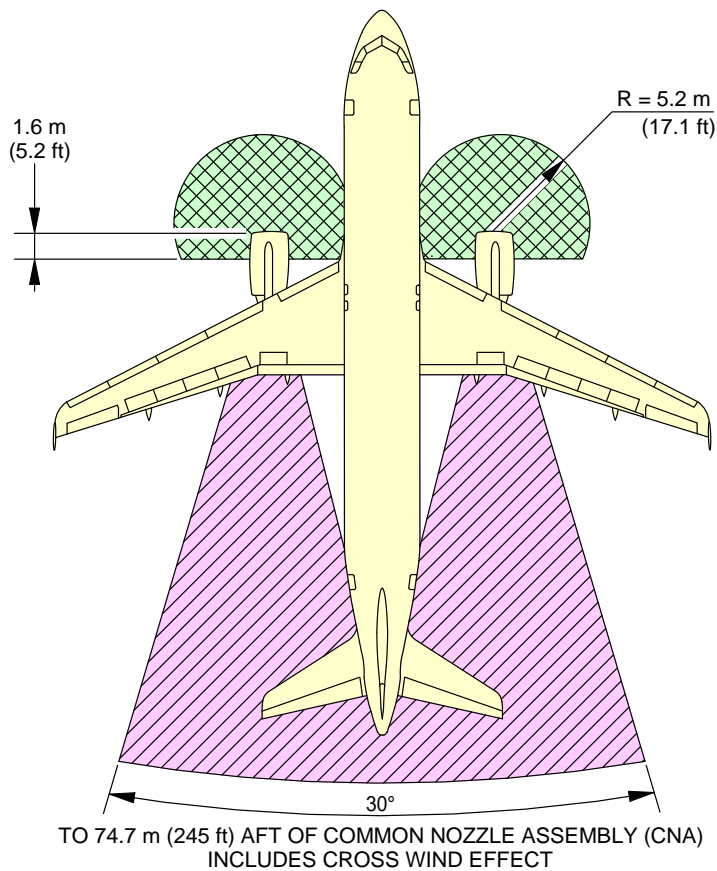
## 6-3-2 Breakaway Power

**\*\*ON A/C A320-200 A320neo**

### Breakaway Power

1. This section provides danger areas of the engines at breakaway power.

**\*\*ON A/C A320-200**



**NOTE:**



INTAKE SUCTION DANGER AREA MAX. TAKEOFF POWER

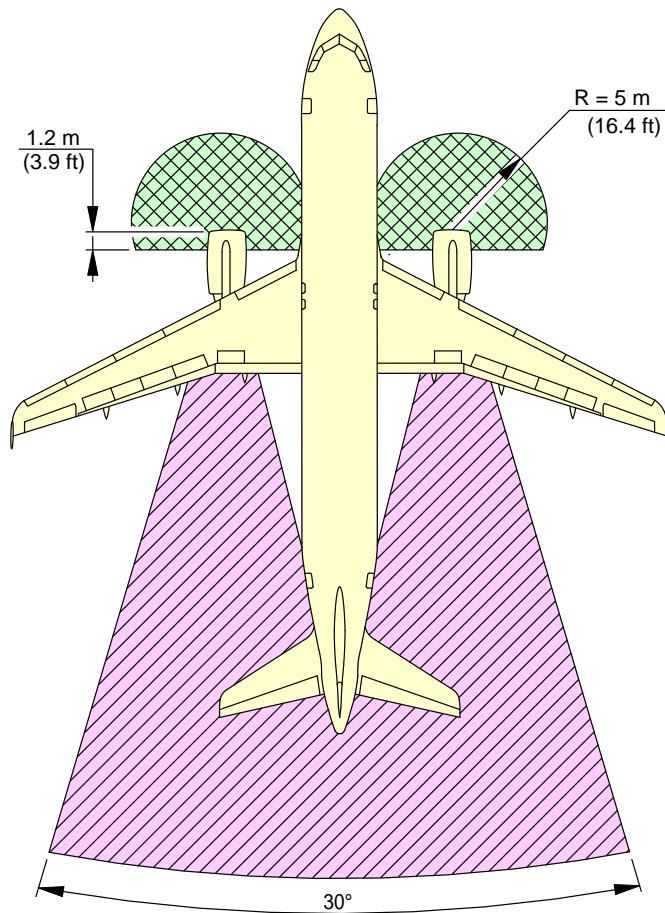


EXHAUST WAKE DANGER AREA

N\_AC\_060302\_1\_0050101\_01\_03



Danger Areas of the Engines  
CFM56 Series Engine  
FIGURE-6-3-2-991-005-A01

**\*\*ON A/C A320-200**



TO 91.4 m (300 ft) AFT OF COMMON NOZZLE ASSEMBLY (CNA) INCLUDES CROSS WIND EFFECT

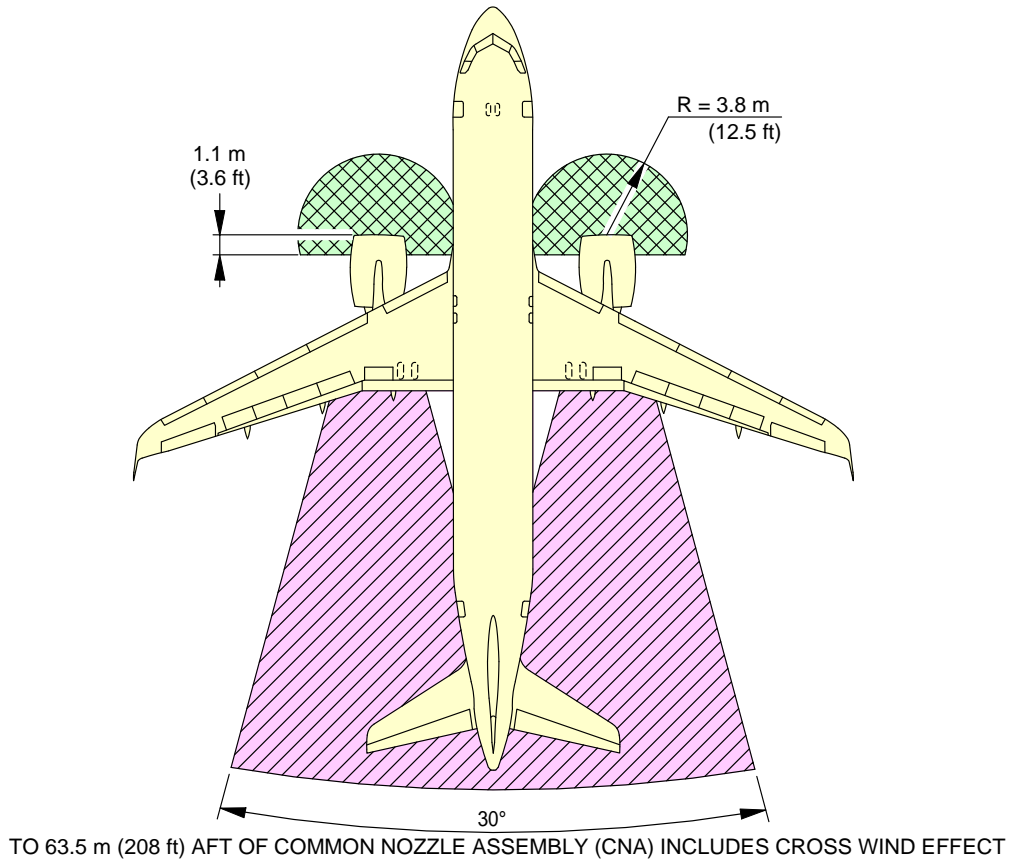
**NOTE:**

-  INTAKE SUCTION DANGER AREA MAX. TAKEOFF POWER
-  EXHAUST DANGER AREA

N\_AC\_060302\_1\_0060101\_01\_03

Danger Areas of the Engines  
IAE V2500 Series Engine  
FIGURE-6-3-2-991-006-A01

**\*\*ON A/C A320neo**



**NOTE:**



INTAKE SUCTION DANGER AREA MAX. TAKEOFF POWER

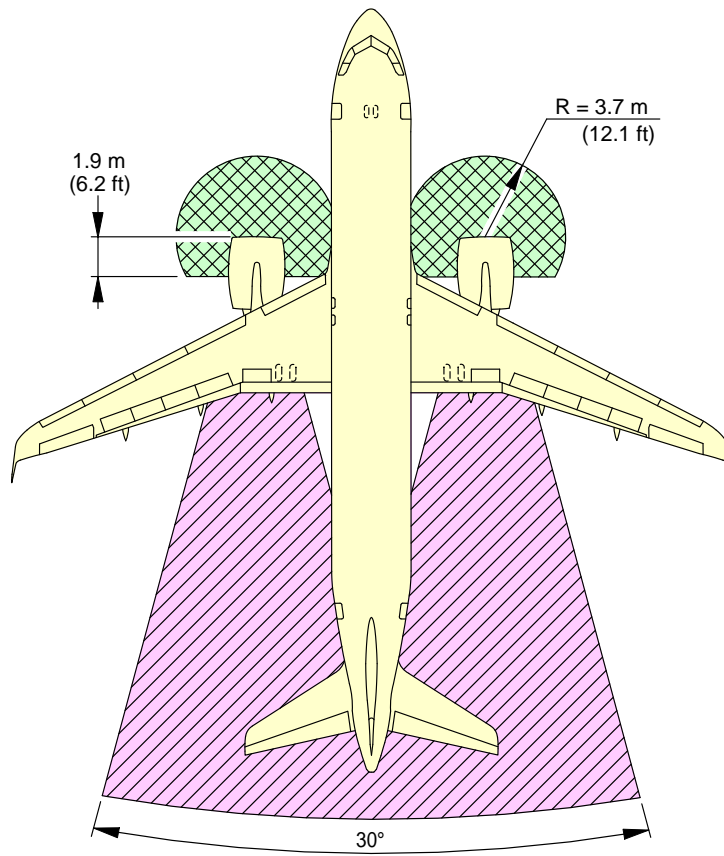


EXHAUST DANGER AREA

N\_AC\_060302\_1\_0110101\_01\_02

Danger Areas of the Engines  
CFM LEAP-1A Engine  
FIGURE-6-3-2-991-011-A01

**\*\*ON A/C A320neo**



TO 71.6 m (235 ft) AFT OF COMMON NOZZLE ASSEMBLY (CNA) INCLUDES CROSS WIND EFFECT

**NOTE:**



INTAKE SUCTION DANGER AREA MAX. TAKEOFF POWER



EXHAUST DANGER AREA

N\_AC\_060302\_1\_0120101\_01\_02

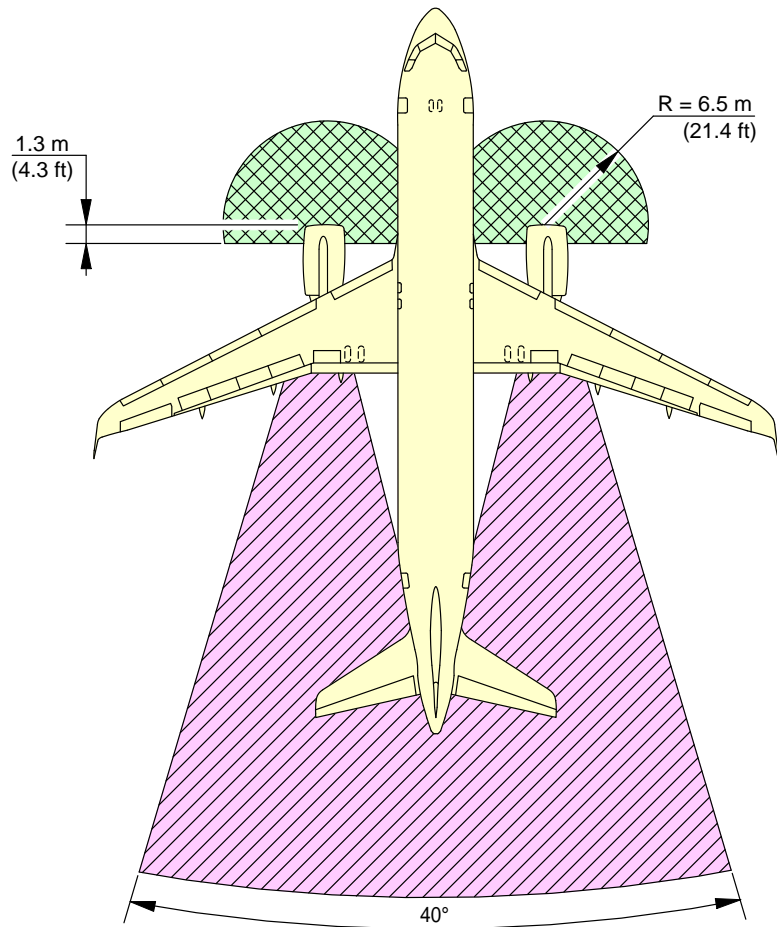
Danger Areas of the Engines  
PW 1100G Engine  
FIGURE-6-3-2-991-012-A01



**6-3-3 Max Take Off Power****\*\*ON A/C A320-200 A320neo**Take Off Power

1. This section provides danger areas of the engines at maximum take-off power conditions.


**\*\*ON A/C A320-200**



TO 275 m (900 ft) AFT OF COMMON NOZZLE ASSEMBLY (CNA) INCLUDES CROSS WIND EFFECT

**NOTE:**

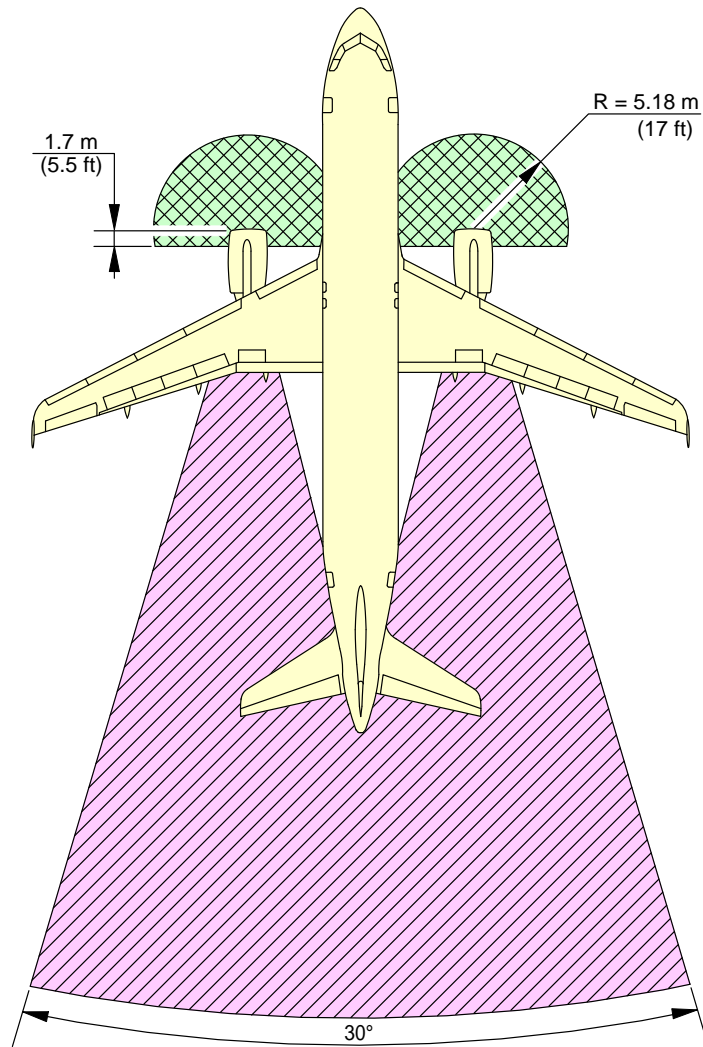
 INTAKE SUCTION DANGER AREA

 EXHAUST WAKE DANGER

N\_AC\_060303\_1\_0070101\_01\_01


Danger Areas of the Engine  
CFM56 Series Engine  
FIGURE-6-3-3-991-007-A01


**\*\*ON A/C A320-200**



TO 348 m (1150 ft) AFT OF COMMON NOZZLE ASSEMBLY (CNA) INCLUDES CROSS WIND EFFECT

**NOTE:**

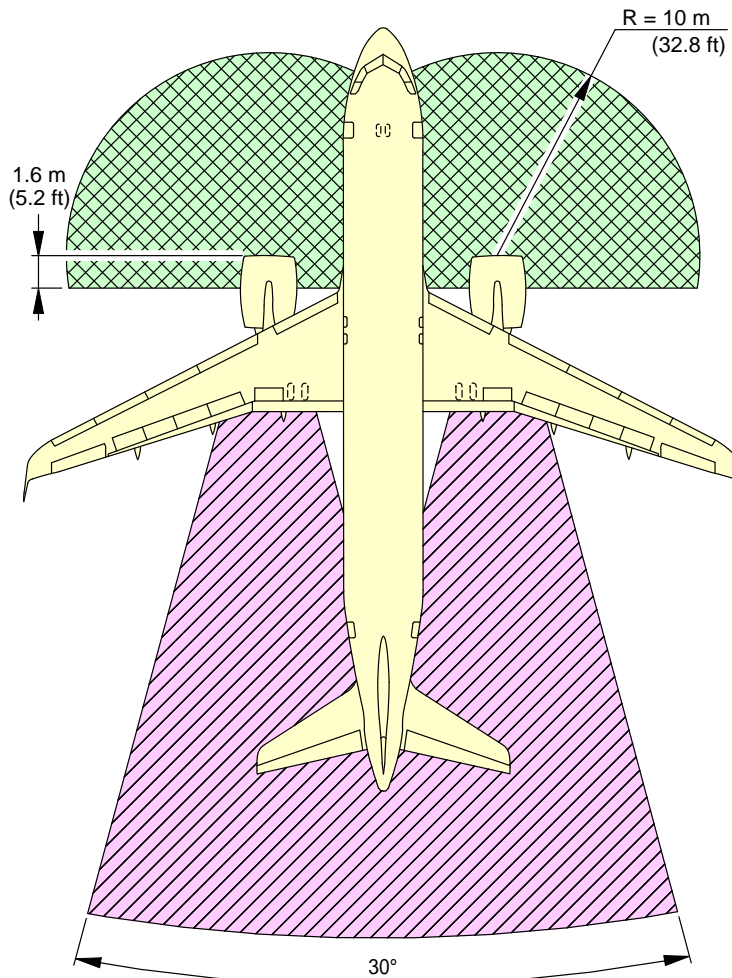
 INTAKE SUCTION DANGER AREA MAX. TAKEOFF POWER

 EXHAUST DANGER AREA

N\_AC\_060303\_1\_0080101\_01\_01



Danger Areas of the Engine  
IAE V2500 Series Engine  
FIGURE-6-3-3-991-008-A01

**\*\*ON A/C A320neo**



TO 220.7 m (724 ft) AFT OF COMMON NOZZLE ASSEMBLY (CNA) INCLUDES CROSS WIND EFFECT

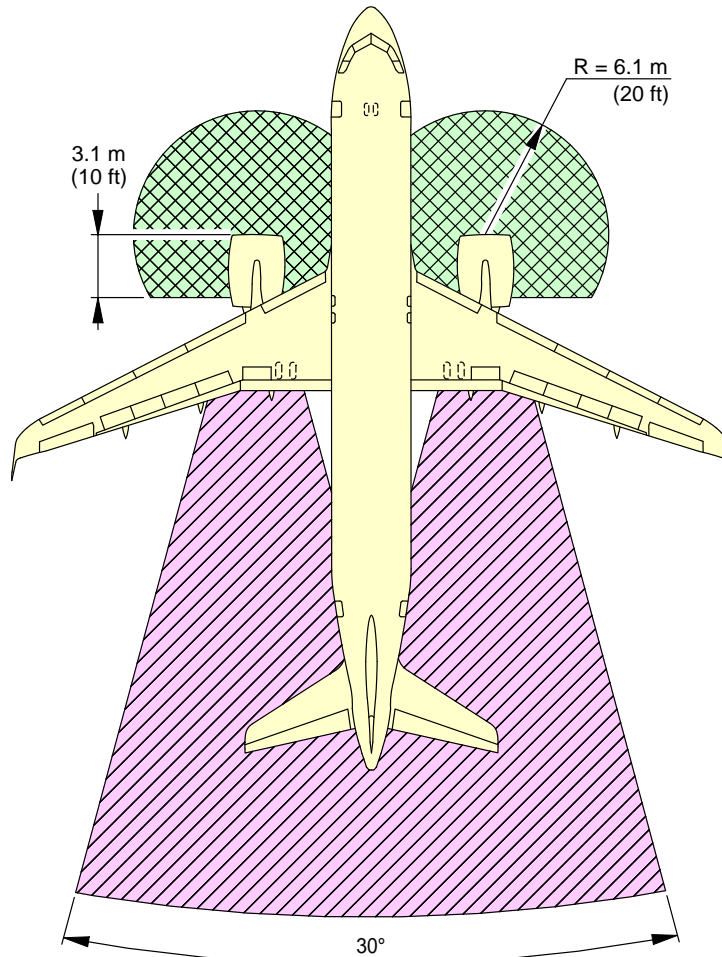
**NOTE:**

-  INTAKE SUCTION DANGER AREA MAX. TAKEOFF POWER
-  EXHAUST DANGER AREA

N\_AC\_060303\_1\_0090101\_01\_01

Danger Areas of the Engine  
CFM LEAP-1A Engine  
FIGURE-6-3-3-991-009-A01

**\*\*ON A/C A320neo**



TO 243 m (797.4 ft) AFT OF COMMON NOZZLE ASSEMBLY (CNA) INCLUDES CROSS WIND EFFECT

**NOTE:**



INTAKE SUCTION DANGER AREA MAX. TAKEOFF POWER



EXHAUST DANGER AREA

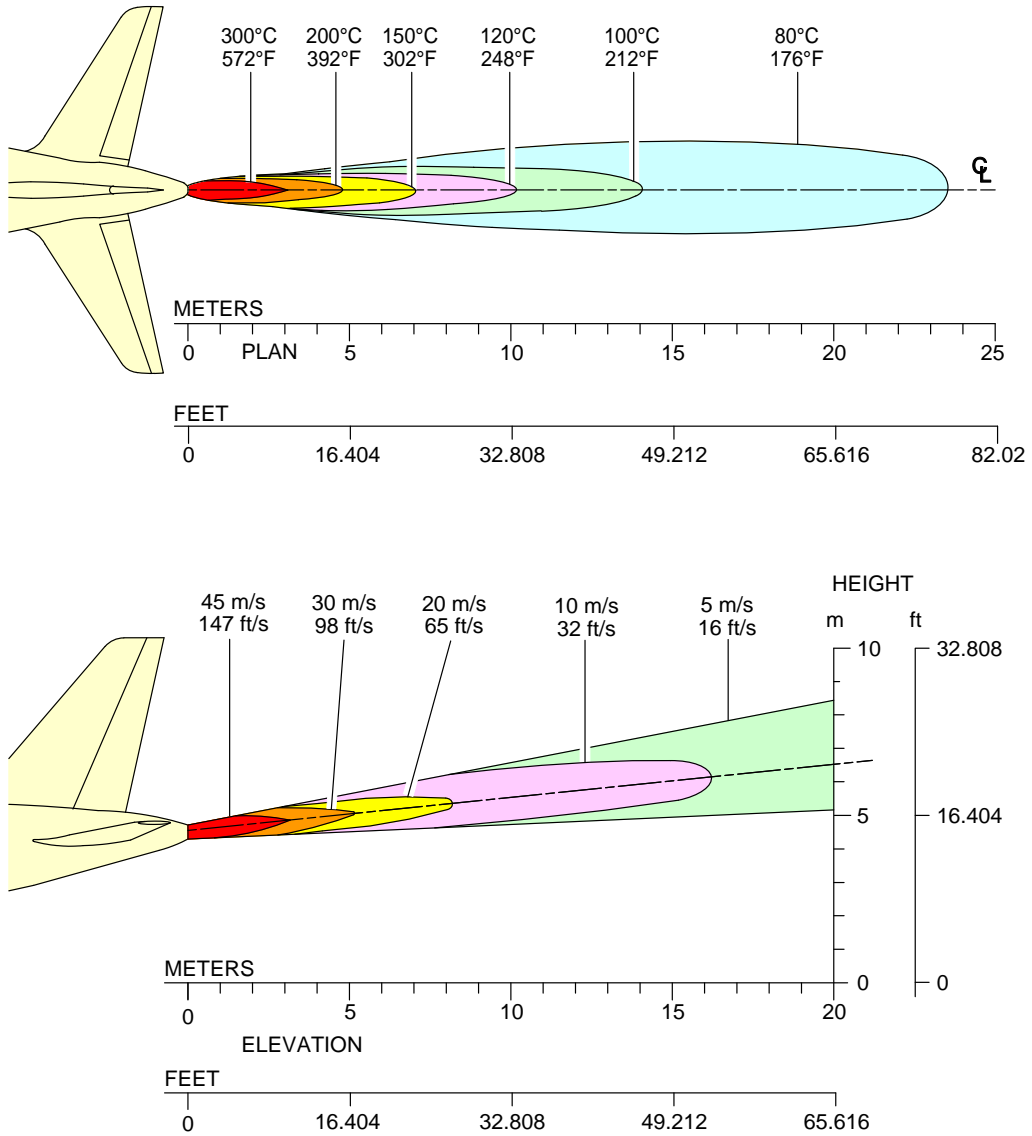
N\_AC\_060303\_1\_0100101\_01\_01

Danger Areas of the Engine  
PW 1100G Engine  
FIGURE-6-3-3-991-010-A01

**6-4-1 APU****\*\*ON A/C A320-200 A320neo**APU - APIC & GARRETT

1. This section gives APU exhaust velocities and temperatures.

**\*\*ON A/C A320-200 A320neo**



N\_AC\_060401\_1\_0030101\_01\_00

Exhaust Velocities and Temperatures  
 APU – APIC & GARRETT  
 FIGURE-6-4-1-991-003-A01

**PAVEMENT DATA****7-1-0 General Information****\*\*ON A/C A320-200 A320neo**General Information

1. A brief description of the pavement charts that follow will help in airport planning.

To aid in the interpolation between the discrete values shown, each aircraft configuration is shown with a minimum range of five loads on the Main Landing Gear (MLG).

All curves on the charts represent data at a constant specified tire pressure with:

- The aircraft loaded to the Maximum Ramp Weight (MRW),
- The CG at its maximum permissible aft position.

Pavement requirements for commercial aircraft are derived from the static analysis of loads imposed on the MLG struts.

**Landing Gear Footprint:**

Section 07-02-00 presents basic data on the landing gear footprint configuration, MRW and tire sizes and pressures.

**Maximum Pavement Loads:**

Section 07-03-00 shows maximum vertical and horizontal pavement loads for certain critical conditions at the tire-ground interfaces.

**Landing Gear Loading on Pavement:**

The curves related to the landing gear loading on pavement are not given in section 07-04-00. Because the relationship between the aircraft weight, the center of gravity and the landing gear loading on the pavement is not strictly linear, it cannot be shown in chart format. But you can find in section 07-03-00 the maximum vertical and horizontal pavement loads for some critical conditions at the tire/ground interfaces for all the operational weight variants of the aircraft. For questions that are related to landing gear loading on pavement, contact Airbus.

Flexible Pavement Requirements - US Army Corps of Engineers Design Method:



The flexible pavement requirements curves as per U.S. Army Corps of Engineers Design Method are not given in section 07-05-00 since the related data is available through free software.

Sections 07-02-00 and 07-03-00 give all the inputs data required for the use of such software. For questions that are related to the flexible pavement requirements, contact Airbus.

**Flexible Pavement Requirements - LCN Conversion Method:**

The Load Classification Number (LCN) curves are not given in section 07-06-00 since the LCN system for reporting pavement strength is old and are replaced by the ICAO recommended ACN/PCN system in 1983 and ACR/PCR system in 2020.

For questions that are related to the LCN system, contact Airbus.

**Rigid Pavement Requirements - PCA (Portland Cement Association) Design Method:**

The rigid pavement requirements curves as per as Portland Cement Association Design Method are not given in section 07-07-00 since the related data is available through free software.

Sections 07-02-00 and 07-03-00 give all the inputs data required for the use of such software. For questions that are related to the rigid pavement requirements, contact Airbus.

**Rigid Pavement Requirements - LCN Conversion:**

The Load Classification Number (LCN) curves are not given in section 07-08-00 since the LCN system for reporting pavement strength is old and are replaced by the ICAO recommended ACN/PCN system in 1983 and ACR/PCR system in 2020.

For questions that are related to the LCN system, contact Airbus.

**ACN/PCN Reporting System:**

Section 07-09-00 gives ACN data prepared according to the ACN/PCN system as referenced in ICAO Annex 14, "Aerodromes", Volume 1 "Aerodrome Design and Operations".

Eighth Edition July 2018, incorporating Amendments 1 to 14 and ICAO doc 9157, "Aerodrome Design Manual", part 3 "Pavements" Second Edition 1983.

The ACN/PCN system is applicable until November 2024.

ACN is the Aircraft Classification Number and PCN is the related Pavement Classification Number.

An aircraft with an ACN less than or equal to the PCN can operate without restriction on the pavement.

Numerically the ACN is two times the derived single wheel load expressed in thousands of kilograms.

The derived single wheel load is calculated as the load on a single tire inflated to 1.25 MPa (181 psi) that would have the same pavement requirements as the aircraft.

Computationally the ACN/PCN system uses PCA program PDILB for rigid pavements and S-77-1 for flexible pavements to calculate ACN values.

The airport authority must select the method of pavement analysis.

The results of their analysis should be reported using the following format:





## 7-2-0 Landing Gear Footprint

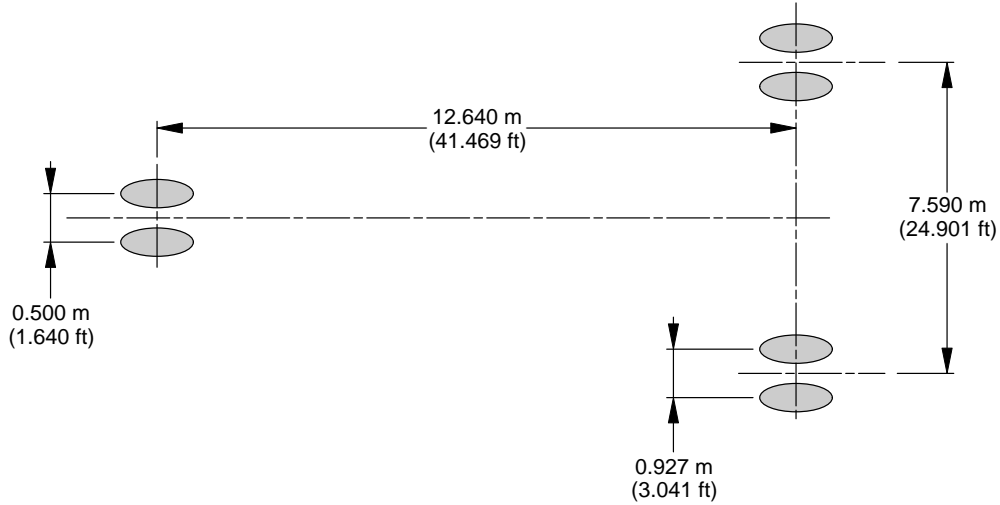
**\*\*ON A/C A320-200 A320neo**

### Landing Gear Footprint

1. This section gives data about the landing gear footprint in relation with the aircraft MRW and tire sizes and pressures.

The landing-gear footprint information is given for all the operational weight variants of the aircraft.

**\*\*ON A/C A320-200**



WEIGHT VARIANT	MAXIMUM RAMP WEIGHT	PERCENTAGE OF WEIGHT ON MAIN GEAR GROUP	NOSE GEAR TIRE SIZE	NOSE GEAR TIRE PRESSURE	MAIN GEAR TIRE SIZE	MAIN GEAR TIRE PRESSURE
A320-200 WV000	73 900 kg (162 925 lb)	94.0%	30x8.8R15 (30x8.8-15)	12.3 bar (178 psi)	46x17R20 (46x16-20)	13.8 bar (200 psi)
					49x17-20	11.4 bar (165 psi)
					1 270x455R22 (49x18-22)	11.8 bar (171 psi)
					49x19-20	10.3 bar (149 psi)
A320-200 WV001	68 400 kg (150 800 lb)	95.0%	30x8.8R15 (30x8.8-15)	11.4 bar (165 psi)	46x17R20 (46x16-20)	12.8 bar (186 psi)
					49x17-20	10.6 bar (154 psi)
					1 270x455R22 (49x18-22)	10.9 bar (158 psi)
					49x19-20	9.6 bar (139 psi)

N\_AC\_070200\_1\_0100101\_01\_02

Landing Gear Footprint  
(Sheet 1 of 8)  
FIGURE-7-2-0-991-010-A01



AIRCRAFT CHARACTERISTICS - AIRPORT AND MAINTENANCE PLANNING

**\*\*ON A/C A320-200**

WEIGHT VARIANT	MAXIMUM RAMP WEIGHT	PERCENTAGE OF WEIGHT ON MAIN GEAR GROUP	NOSE GEAR TIRE SIZE	NOSE GEAR TIRE PRESSURE	MAIN GEAR TIRE SIZE	MAIN GEAR TIRE PRESSURE
A320-200 WV002 (CG 42%)	70 400 kg (155 200 lb)	94.7%	30x8.8R15 (30x8.8-15)	11.4 bar (165 psi)	46x17R20 (46x16-20)	12.8 bar (186 psi)
					49x17-20	10.6 bar (154 psi)
					1 270x455R22 (49x18-22)	10.9 bar (158 psi)
					49x19-20	9.6 bar (139 psi)
A320-200 WV002 (CG 41%)	70 400 kg (155 200 lb)	94.3%	30x8.8R15 (30x8.8-15)	11.4 bar (165 psi)	46x17R20 (46x16-20)	12.8 bar (186 psi)
					49x17-20	10.6 bar (154 psi)
					1 270x455R22 (49x18-22)	10.9 bar (158 psi)
					49x19-20	9.6 bar (139 psi)
A320-200 WV003 (CG 38.7%)	75 900 kg (167 325 lb)	93.5%	30x8.8R15 (30x8.8-15)	12.3 bar (178 psi)	46x17R20 (46x16-20)	13.8 bar (200 psi)
					49x17-20	11.4 bar (165 psi)
					1 270x455R22 (49x18-22)	11.8 bar (171 psi)
					49x19-20	10.3 bar (149 psi)
A320-200 WV003 (CG 38.5%)	75 900 kg (167 325 lb)	93.5%	30x8.8R15 (30x8.8-15)	12.3 bar (178 psi)	46x17R20 (46x16-20)	13.8 bar (200 psi)
					49x17-20	11.4 bar (165 psi)
					1 270x455R22 (49x18-22)	11.8 bar (171 psi)
					49x19-20	10.3 bar (149 psi)

N\_AC\_070200\_1\_0100102\_01\_01

Landing Gear Footprint  
(Sheet 2 of 8)  
FIGURE-7-2-0-991-010-A01



AIRCRAFT CHARACTERISTICS - AIRPORT AND MAINTENANCE PLANNING

**\*\*ON A/C A320-200**

WEIGHT VARIANT	MAXIMUM RAMP WEIGHT	PERCENTAGE OF WEIGHT ON MAIN GEAR GROUP	NOSE GEAR TIRE SIZE	NOSE GEAR TIRE PRESSURE	MAIN GEAR TIRE SIZE	MAIN GEAR TIRE PRESSURE
A320-200 WV004	71 900 kg (158 500 lb)	94.5%	30x8.8R15 (30x8.8-15)	12.3 bar (178 psi)	46x17R20 (46x16-20)	13.8 bar (200 psi)
					49x17-20	11.4 bar (165 psi)
					1 270x455R22 (49x18-22)	11.8 bar (171 psi)
					49x19-20	10.3 bar (149 psi)
A320-200 WV005 (CG 43%)	67 400 kg (148 600 lb)	95.0%	30x8.8R15 (30x8.8-15)	11.4 bar (165 psi)	46x17R20 (46x16-20)	12.8 bar (186 psi)
					49x17-20	10.6 bar (154 psi)
					1 270x455R22 (49x18-22)	10.9 bar (158 psi)
					49x19-20	9.6 bar (139 psi)
A320-200 WV005 (CG 42%)	67 400 kg (148 600 lb)	94.7%	30x8.8R15 (30x8.8-15)	11.4 bar (165 psi)	46x17R20 (46x16-20)	12.8 bar (186 psi)
					49x17-20	10.6 bar (154 psi)
					1 270x455R22 (49x18-22)	10.9 bar (158 psi)
					49x19-20	9.6 bar (139 psi)
A320-200 WV006	66 400 kg (146 375 lb)	95.0%	30x8.8R15 (30x8.8-15)	11 bar (160 psi)	46x17R20 (46x16-20)	12.3 bar (178 psi)
					49x17-20	10.2 bar (148 psi)
					49x19-20	9.2 bar (133 psi)

N\_AC\_070200\_1\_0100107\_01\_00

Landing Gear Footprint  
(Sheet 3 of 8)  
FIGURE-7-2-0-991-010-A01



AIRCRAFT CHARACTERISTICS - AIRPORT AND MAINTENANCE PLANNING

**\*\*ON A/C A320-200**

WEIGHT VARIANT	MAXIMUM RAMP WEIGHT	PERCENTAGE OF WEIGHT ON MAIN GEAR GROUP	NOSE GEAR TIRE SIZE	NOSE GEAR TIRE PRESSURE	MAIN GEAR TIRE SIZE	MAIN GEAR TIRE PRESSURE
A320-200 WV007 (CG 37.5%)	77 400 kg (170 650 lb)	93.1%	30x8.8R15 (30x8.8-15)	12.3 bar (178 psi)	46x17R20 (46x16-20)	14.4 bar (209 psi)
					49x17-20	12 bar (174 psi)
					1 270x455R22 (49x18-22)	12.3 bar (178 psi)
					49x19-20	10.7 bar (155 psi)
A320-200 WV007 (CG 33%)	77 400 kg (170 650 lb)	91.6%	30x8.8R15 (30x8.8-15)	12.3 bar (178 psi)	46x17R20 (46x16-20)	14.4 bar (209 psi)
					49x17-20	12 bar (174 psi)
					1 270x455R22 (49x18-22)	12.3 bar (178 psi)
					49x19-20	10.7 bar (155 psi)
A320-200 WV008	73 900 kg (162 925 lb)	94.0%	30x8.8R15 (30x8.8-15)	12.3 bar (178 psi)	46x17R20 (46x16-20)	13.8 bar (200 psi)
					49x17-20	11.4 bar (165 psi)
					1 270x455R22 (49x18-22)	11.8 bar (171 psi)
					49x19-20	10.3 bar (149 psi)
A320-200 WV009 (CG 38.7%)	75 900 kg (167 325 lb)	93.5%	30x8.8R15 (30x8.8-15)	12.3 bar (178 psi)	46x17R20 (46x16-20)	13.8 bar (200 psi)
					49x17-20	11.4 bar (165 psi)
					1 270x455R22 (49x18-22)	11.8 bar (171 psi)
					49x19-20	10.3 bar (149 psi)

N\_AC\_070200\_1\_0100103\_01\_01

Landing Gear Footprint  
(Sheet 4 of 8)  
FIGURE-7-2-0-991-010-A01



**\*\*ON A/C A320-200**

WEIGHT VARIANT	MAXIMUM RAMP WEIGHT	PERCENTAGE OF WEIGHT ON MAIN GEAR GROUP	NOSE GEAR TIRE SIZE	NOSE GEAR TIRE PRESSURE	MAIN GEAR TIRE SIZE	MAIN GEAR TIRE PRESSURE
A320-200 WV009 (CG 38.5%)	75 900 kg (167 325 lb)	93.5%	30x8.8R15 (30x8.8-15)	12.3 bar (178 psi)	46x17R20 (46x16-20)	13.8 bar (200 psi)
					49x17-20	11.4 bar (165 psi)
					1 270x455R22 (49x18-22)	11.8 bar (171 psi)
					49x19-20	10.3 bar (149 psi)
A320-200 WV010 (CG 37.5%)	77 400 kg (170 650 lb)	93.1%	30x8.8R15 (30x8.8-15)	12.3 bar (178 psi)	46x17R20 (46x16-20)	14.4 bar (209 psi)
					49x17-20	12 bar (174 psi)
					1 270x455R22 (49x18-22)	12.3 bar (178 psi)
					49x19-20	10.7 bar (155 psi)
A320-200 WV010 (CG 33%)	77 400 kg (170 650 lb)	91.6%	30x8.8R15 (30x8.8-15)	12.3 bar (178 psi)	46x17R20 (46x16-20)	14.4 bar (209 psi)
					49x17-20	12 bar (174 psi)
					1 270x455R22 (49x18-22)	12.3 bar (178 psi)
					49x19-20	10.7 bar (155 psi)

N\_AC\_070200\_1\_0100108\_01\_00

Landing Gear Footprint  
(Sheet 5 of 8)  
FIGURE-7-2-0-991-010-A01



AIRCRAFT CHARACTERISTICS - AIRPORT AND MAINTENANCE PLANNING

**\*\*ON A/C A320-200**

WEIGHT VARIANT	MAXIMUM RAMP WEIGHT	PERCENTAGE OF WEIGHT ON MAIN GEAR GROUP	NOSE GEAR TIRE SIZE	NOSE GEAR TIRE PRESSURE	MAIN GEAR TIRE SIZE	MAIN GEAR TIRE PRESSURE
A320-200 WV011 (CG 38.7%)	75 900 kg (167 325 lb)	93.5%	30x8.8R15 (30x8.8-15)	12.3 bar (178 psi)	46x17R20 (46x16-20)	13.8 bar (200 psi)
					49x17-20	11.4 bar (165 psi)
					1 270x455R22 (49x18-22)	11.8 bar (171 psi)
					49x19-20	10.3 bar (149 psi)
A320-200 WV011 (CG 38.5%)	75 900 kg (167 325 lb)	93.5%	30x8.8R15 (30x8.8-15)	12.3 bar (178 psi)	46x17R20 (46x16-20)	13.8 bar (200 psi)
					49x17-20	11.4 bar (165 psi)
					1 270x455R22 (49x18-22)	11.8 bar (171 psi)
					49x19-20	10.3 bar (149 psi)
A320-200 WV012	77 400 kg (170 650 lb)	93.1%	30x8.8R15 (30x8.8-15)	12.3 bar (178 psi)	46x17R20 (46x16-20)	14.4 bar (209 psi)
					49x17-20	12 bar (174 psi)
					1 270x455R22 (49x18-22)	12.3 bar (178 psi)
					49x19-20	10.7 bar (155 psi)
A320-200 WV013 (CG 41.42%)	71 900 kg (158 500 lb)	94.5%	30x8.8R15 (30x8.8-15)	12.3 bar (178 psi)	46x17R20 (46x16-20)	13.8 bar (200 psi)
					49x17-20	11.4 bar (165 psi)
					1 270x455R22 (49x18-22)	11.8 bar (171 psi)
					49x19-20	10.3 bar (149 psi)
A320-200 WV013 (CG 41%)	71 900 kg (158 500 lb)	94.3%	30x8.8R15 (30x8.8-15)	12.3 bar (178 psi)	46x17R20 (46x16-20)	13.8 bar (200 psi)
					49x17-20	11.4 bar (165 psi)
					1 270x455R22 (49x18-22)	11.8 bar (171 psi)
					49x19-20	10.3 bar (149 psi)
A320-200 WV014	73 900 kg (162 925 lb)	94.0%	30x8.8R15 (30x8.8-15)	12.3 bar (178 psi)	46x17R20 (46x16-20)	13.8 bar (200 psi)
					49x17-20	11.4 bar (165 psi)
					1 270x455R22 (49x18-22)	11.8 bar (171 psi)
					49x19-20	10.3 bar (149 psi)
A320-200 WV015	78 400 kg (172 850 lb)	92.9%	30x8.8R15 (30x8.8-15)	12.3 bar (178 psi)	46x17R20 (46x16-20)	14.4 bar (209 psi)

N\_AC\_070200\_1\_0100104\_01\_01

Landing Gear Footprint  
(Sheet 6 of 8)  
FIGURE-7-2-0-991-010-A01



AIRCRAFT CHARACTERISTICS - AIRPORT AND MAINTENANCE PLANNING

**\*\*ON A/C A320-200**

WEIGHT VARIANT	MAXIMUM RAMP WEIGHT	PERCENTAGE OF WEIGHT ON MAIN GEAR GROUP	NOSE GEAR TIRE SIZE	NOSE GEAR TIRE PRESSURE	MAIN GEAR TIRE SIZE	MAIN GEAR TIRE PRESSURE
A320-200 WV016	73 900 kg (162 925 lb)	94.0%	30x8.8R15 (30x8.8-15)	12.3 bar (178 psi)	46x17R20 (46x16-20)	13.8 bar (200 psi)
					49x17-20	11.4 bar (165 psi)
					1 270x455R22 (49x18-22)	11.8 bar (171 psi)
					49x19-20	10.3 bar (149 psi)
A320-200 WV017	78 400 kg (172 850 lb)	92.9%	30x8.8R15 (30x8.8-15)	12.3 bar (178 psi)	46x17R20 (46x16-20)	14.4 bar (209 psi)
A320-200 WV018 (CG 41.47%)	71 900 kg (158 500 lb)	94.5%	30x8.8R15 (30x8.8-15)	12.3 bar (178 psi)	46x17R20 (46x16-20)	13.8 bar (200 psi)
					49x17-20	11.4 bar (165 psi)
					1 270x455R22 (49x18-22)	11.8 bar (171 psi)
					49x19-20	10.3 bar (149 psi)
A320-200 WV018 (CG 41.46%)	71 900 kg (158 500 lb)	94.5%	30x8.8R15 (30x8.8-15)	12.3 bar (178 psi)	46x17R20 (46x16-20)	13.8 bar (200 psi)
					49x17-20	11.4 bar (165 psi)
					1 270x455R22 (49x18-22)	11.8 bar (171 psi)
					49x19-20	10.3 bar (149 psi)
A320-200 WV018 (CG 41.4%)	71 900 kg (158 500 lb)	94.5%	30x8.8R15 (30x8.8-15)	12.3 bar (178 psi)	46x17R20 (46x16-20)	13.8 bar (200 psi)
					49x17-20	11.4 bar (165 psi)
					1 270x455R22 (49x18-22)	11.8 bar (171 psi)
					49x19-20	10.3 bar (149 psi)
A320-200 WV018 (CG 41%)	71 900 kg (158 500 lb)	94.3%	30x8.8R15 (30x8.8-15)	12.3 bar (178 psi)	46x17R20 (46x16-20)	13.8 bar (200 psi)
					49x17-20	11.4 bar (165 psi)
					1 270x455R22 (49x18-22)	11.8 bar (171 psi)
					49x19-20	10.3 bar (149 psi)

N\_AC\_070200\_1\_0100105\_01\_03

Landing Gear Footprint  
(Sheet 7 of 8)  
FIGURE-7-2-0-991-010-A01



AIRCRAFT CHARACTERISTICS - AIRPORT AND MAINTENANCE PLANNING

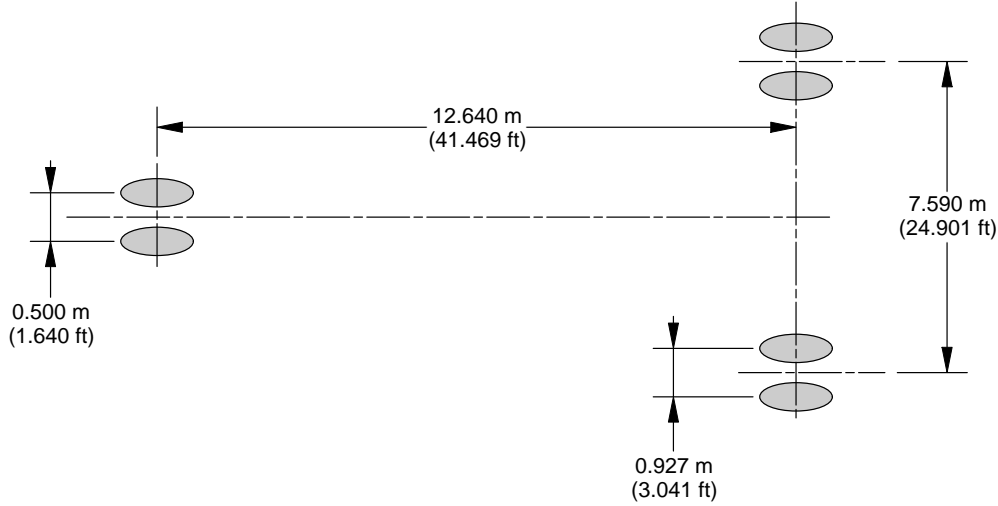
**\*\*ON A/C A320-200**

WEIGHT VARIANT	MAXIMUM RAMP WEIGHT	PERCENTAGE OF WEIGHT ON MAIN GEAR GROUP	NOSE GEAR TIRE SIZE	NOSE GEAR TIRE PRESSURE	MAIN GEAR TIRE SIZE	MAIN GEAR TIRE PRESSURE
A320-200 WV019 (CG 42.61%)	70 400 kg (155 200 lb)	94.9%	30x8.8R15 (30x8.8-15)	11.4 bar (165 psi)	46x17R20 (46x16-20)	12.8 bar (186 psi)
					49x17-20	10.6 bar (154 psi)
					1 270x455R22 (49x18-22)	10.9 bar (158 psi)
					49x19-20	9.6 bar (139 psi)
A320-200 WV019 (CG 42%)	70 400 kg (155 200 lb)	94.7%	30x8.8R15 (30x8.8-15)	11.4 bar (165 psi)	46x17R20 (46x16-20)	12.8 bar (186 psi)
					49x17-20	10.6 bar (154 psi)
					1 270x455R22 (49x18-22)	10.9 bar (158 psi)
					49x19-20	9.6 bar (139 psi)
A320-200 WV019 (CG 41%)	70 400 kg (155 200 lb)	94.3%	30x8.8R15 (30x8.8-15)	11.4 bar (165 psi)	46x17R20 (46x16-20)	12.8 bar (186 psi)
					49x17-20	10.6 bar (154 psi)
					1 270x455R22 (49x18-22)	10.9 bar (158 psi)
					49x19-20	9.6 bar (139 psi)
A320-200 WV019 (CG 40%)	70 400 kg (155 200 lb)	94.0%	30x8.8R15 (30x8.8-15)	11.4 bar (165 psi)	46x17R20 (46x16-20)	12.8 bar (186 psi)
					49x17-20	10.6 bar (154 psi)
					1 270x455R22 (49x18-22)	10.9 bar (158 psi)
					49x19-20	9.6 bar (139 psi)

N\_AC\_070200\_1\_0100106\_01\_01

Landing Gear Footprint  
(Sheet 8 of 8)  
FIGURE-7-2-0-991-010-A01

**\*\*ON A/C A320neo**



WEIGHT VARIANT	MAXIMUM RAMP WEIGHT	PERCENTAGE OF WEIGHT ON MAIN GEAR GROUP	NOSE GEAR TIRE SIZE	NOSE GEAR TIRE PRESSURE	MAIN GEAR TIRE SIZE	MAIN GEAR TIRE PRESSURE
A320NEO WV050 (CG 38.87%)	73 900 kg (162 925 lb)	93.9%	30x8.8R15 (30x8.8-15)	12.3 bar (178 psi)	46x17R20 (46x16-20)	13.8 bar (200 psi)
A320NEO WV050 (CG 39.85%)	73 900 kg (162 925 lb)	93.9%	30x8.8R15 (30x8.8-15)	12.3 bar (178 psi)	46x17R20 (46x16-20)	13.8 bar (200 psi)
A320NEO WV051 (CG 39.87%)	73 900 kg (162 925 lb)	93.9%	30x8.8R15 (30x8.8-15)	12.3 bar (178 psi)	46x17R20 (46x16-20)	13.8 bar (200 psi)
A320NEO WV051 (CG 39.85%)	73 900 kg (162 925 lb)	93.9%	30x8.8R15 (30x8.8-15)	12.3 bar (178 psi)	46x17R20 (46x16-20)	13.8 bar (200 psi)
A320NEO WV052 (CG 37.41%)	77 400 kg (170 650 lb)	93.1%	30x8.8R15 (30x8.8-15)	12.3 bar (178 psi)	46x17R20 (46x16-20)	14.4 bar (209 psi)
A320NEO WV052 (CG 37.4%)	77 400 kg (170 650 lb)	93.1%	30x8.8R15 (30x8.8-15)	12.3 bar (178 psi)	46x17R20 (46x16-20)	14.4 bar (209 psi)
A320NEO WV053 (CG 37.41%)	77 400 kg (170 650 lb)	93.1%	30x8.8R15 (30x8.8-15)	12.3 bar (178 psi)	46x17R20 (46x16-20)	14.4 bar (209 psi)
A320NEO WV053 (CG 37.4%)	77 400 kg (170 650 lb)	93.1%	30x8.8R15 (30x8.8-15)	12.3 bar (178 psi)	46x17R20 (46x16-20)	14.4 bar (209 psi)

N\_AC\_070200\_1\_0360101\_01\_04

Landing Gear Footprint  
(Sheet 1 of 3)  
FIGURE-7-2-0-991-036-A01



AIRCRAFT CHARACTERISTICS - AIRPORT AND MAINTENANCE PLANNING

**\*\*ON A/C A320neo**

WEIGHT VARIANT	MAXIMUM RAMP WEIGHT	PERCENTAGE OF WEIGHT ON MAIN GEAR GROUP	NOSE GEAR TIRE SIZE	NOSE GEAR TIRE PRESSURE	MAIN GEAR TIRE SIZE	MAIN GEAR TIRE PRESSURE
A320NEO WV054	79 400 kg (175 050 lb)	92.6%	30x8.8R15 (30x8.8-15)	12.3 bar (178 psi)	46x17R20 (46x16-20)	14.4 bar (209 psi)
A320NEO WV055	79 400 kg (175 050 lb)	92.6%	30x8.8R15 (30x8.8-15)	12.3 bar (178 psi)	46x17R20 (46x16-20)	14.4 bar (209 psi)
A320NEO WV056 (CG 39.46%)	70 400 kg (155 200 lb)	93.8%	30x8.8R15 (30x8.8-15)	12.3 bar (178 psi)	46x17R20 (46x16-20)	12.8 bar (186 psi)
A320NEO WV056 (CG 40%)	70 400 kg (155 200 lb)	94.0%	30x8.8R15 (30x8.8-15)	12.3 bar (178 psi)	46x17R20 (46x16-20)	12.8 bar (186 psi)
A320NEO WV057 (CG 40%)	70 400 kg (155 200 lb)	94.0%	30x8.8R15 (30x8.8-15)	12.3 bar (178 psi)	46x17R20 (46x16-20)	12.8 bar (186 psi)
A320NEO WV057 (CG 39.46%)	70 400 kg (155 200 lb)	93.8%	30x8.8R15 (30x8.8-15)	12.3 bar (178 psi)	46x17R20 (46x16-20)	12.8 bar (186 psi)
A320NEO WV068 (CG 38.44%)	75 900 kg (167 325 lb)	93.4%	30x8.8R15 (30x8.8-15)	12.3 bar (178 psi)	46x17R20 (46x16-20)	13.8 bar (200 psi)
A320NEO WV068 (CG 38.42%)	75 900 kg (167 325 lb)	93.4%	30x8.8R15 (30x8.8-15)	12.3 bar (178 psi)	46x17R20 (46x16-20)	13.8 bar (200 psi)
A320NEO WV069 (CG 38.44%)	75 900 kg (167 325 lb)	93.4%	30x8.8R15 (30x8.8-15)	12.3 bar (178 psi)	46x17R20 (46x16-20)	13.8 bar (200 psi)
A320NEO WV069 (CG 38.42%)	75 900 kg (167 325 lb)	93.4%	30x8.8R15 (30x8.8-15)	12.3 bar (178 psi)	46x17R20 (46x16-20)	13.8 bar (200 psi)
A320NEO WV071 (CG 38.79%)	75 400 kg (166 225 lb)	93.6%	30x8.8R15 (30x8.8-15)	12.3 bar (178 psi)	46x17R20 (46x16-20)	13.8 bar (200 psi)

N\_AC\_070200\_1\_0360103\_01\_03

Landing Gear Footprint  
(Sheet 2 of 3)  
FIGURE-7-2-0-991-036-A01



AIRCRAFT CHARACTERISTICS - AIRPORT AND MAINTENANCE PLANNING

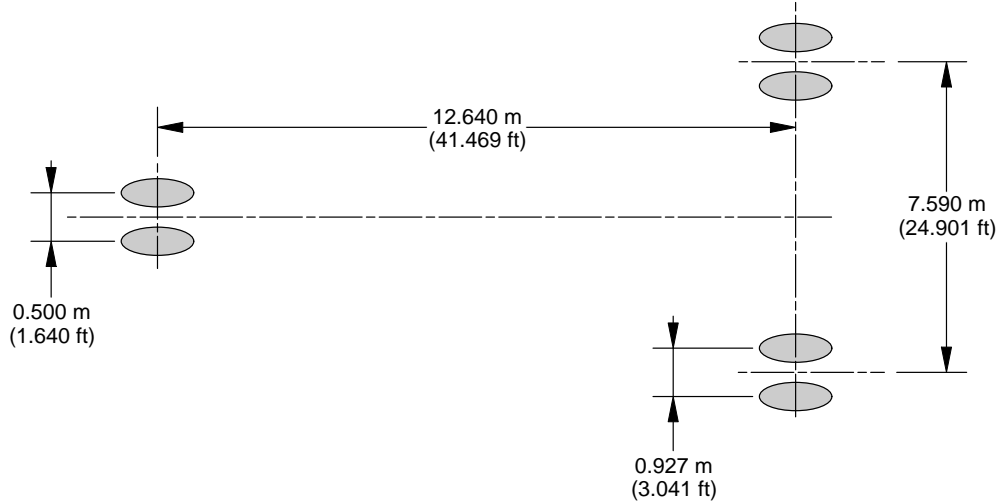
**\*\*ON A/C A320neo**

WEIGHT VARIANT	MAXIMUM RAMP WEIGHT	PERCENTAGE OF WEIGHT ON MAIN GEAR GROUP	NOSE GEAR TIRE SIZE	NOSE GEAR TIRE PRESSURE	MAIN GEAR TIRE SIZE	MAIN GEAR TIRE PRESSURE
A320NEO WV071 (CG 38.77%)	75 400 kg (166 225 lb)	93.5%	30x8.8R15 (30x8.8-15)	12.3 bar (178 psi)	46x17R20 (46x16-20)	13.8 bar (200 psi)
A320NEO WV075 (CG 39.51%)	74 400 kg (164 025 lb)	93.8%	30x8.8R15 (30x8.8-15)	12.3 bar (178 psi)	46x17R20 (46x16-20)	13.8 bar (200 psi)
A320NEO WV075 (CG 39.49%)	74 400 kg (164 025 lb)	93.8%	30x8.8R15 (30x8.8-15)	12.3 bar (178 psi)	46x17R20 (46x16-20)	13.8 bar (200 psi)
A320NEO WV078 (CG 40%)	72 900 kg (160 725 lb)	94.0%	30x8.8R15 (30x8.8-15)	12.3 bar (178 psi)	46x17R20 (46x16-20)	13.8 bar (200 psi)
A320NEO WV078 (CG 39.87%)	72 900 kg (160 725 lb)	93.9%	30x8.8R15 (30x8.8-15)	12.3 bar (178 psi)	46x17R20 (46x16-20)	13.8 bar (200 psi)
A320NEO WV082 (CG 40%)	71 900 kg (158 500 lb)	94.0%	30x8.8R15 (30x8.8-15)	12.3 bar (178 psi)	46x17R20 (46x16-20)	13.8 bar (200 psi)
A320NEO WV082 (CG 39.71%)	71 900 kg (158 500 lb)	93.9%	30x8.8R15 (30x8.8-15)	12.3 bar (178 psi)	46x17R20 (46x16-20)	13.8 bar (200 psi)
A320NEO WV083 (CG 40%)	71 900 kg (158 500 lb)	94.0%	30x8.8R15 (30x8.8-15)	12.3 bar (178 psi)	46x17R20 (46x16-20)	13.8 bar (200 psi)
A320NEO WV083 (CG 39.71%)	71 900 kg (158 500 lb)	93.9%	30x8.8R15 (30x8.8-15)	12.3 bar (178 psi)	46x17R20 (46x16-20)	13.8 bar (200 psi)
A320NEO WV085 (CG 40%)	71 400 kg (157 400 lb)	94.0%	30x8.8R15 (30x8.8-15)	12.3 bar (178 psi)	46x17R20 (46x16-20)	13.8 bar (200 psi)
A320NEO WV085 (CG 39.63%)	71 400 kg (157 400 lb)	93.8%	30x8.8R15 (30x8.8-15)	12.3 bar (178 psi)	46x17R20 (46x16-20)	13.8 bar (200 psi)
A320NEO WV103	79 400 kg (175 050 lb)	92.6%	30x8.8R15 (30x8.8-15)	12.3 bar (178 psi)	46x17R20 (46x16-20)	14.4 bar (209 psi)

N\_AC\_070200\_1\_0360104\_01\_01

Landing Gear Footprint  
(Sheet 3 of 3)  
FIGURE-7-2-0-991-036-A01

**\*\*ON A/C A320neo**



WEIGHT VARIANT	MAXIMUM RAMP WEIGHT	PERCENTAGE OF WEIGHT ON MAIN GEAR GROUP	NOSE GEAR TIRE SIZE	NOSE GEAR TIRE PRESSURE	MAIN GEAR TIRE SIZE	MAIN GEAR TIRE PRESSURE
ACJ320neo WV055	79 400 kg (175 050 lb)	92.6%	30x8.8R15 (30x8.8-15)	12.3 bar (178 psi)	46x17R20 (46x16-20)	14.4 bar (209 psi)
ACJ320neo WV110	79 400 kg (175 050 lb)	92.6%	30x8.8R15 (30x8.8-15)	12.3 bar (178 psi)	46x17R20 (46x16-20)	14.4 bar (209 psi)
ACJ320neo WV111 (CG 36.75%)	78 400 kg (172 850 lb)	92.9%	30x8.8R15 (30x8.8-15)	12.3 bar (178 psi)	46x17R20 (46x16-20)	14.4 bar (209 psi)
ACJ320neo WV111 (CG 36.74%)	78 400 kg (172 850 lb)	92.8%	30x8.8R15 (30x8.8-15)	12.3 bar (178 psi)	46x17R20 (46x16-20)	14.4 bar (209 psi)
ACJ320neo WV112 (CG 37.41%)	77 400 kg (170 650 lb)	93.1%	30x8.8R15 (30x8.8-15)	12.3 bar (178 psi)	46x17R20 (46x16-20)	14.4 bar (209 psi)
ACJ320neo WV112 (CG 37.4%)	77 400 kg (170 650 lb)	93.1%	30x8.8R15 (30x8.8-15)	12.3 bar (178 psi)	46x17R20 (46x16-20)	14.4 bar (209 psi)

N\_AC\_070200\_1\_0410101\_01\_01

Landing Gear Footprint for ACJ320NEO  
FIGURE-7-2-0-991-041-A01

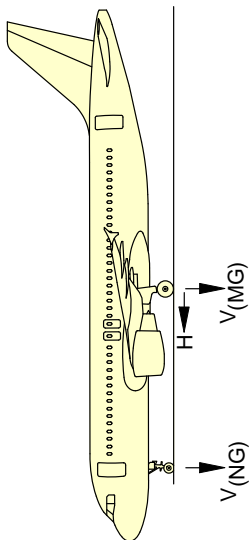


**7-3-0 Maximum Pavement Loads****\*\*ON A/C A320-200 A320neo**Maximum Pavement Loads

1. This section gives maximum vertical and horizontal pavement loads for some critical conditions at the tire-ground interfaces.

The maximum pavement loads are given for all the operational weight variants of the aircraft.

**\*\*ON A/C A320-200**



$V(NG)$  MAXIMUM VERTICAL NOSE GEAR GROUND LOAD AT FWD CG  
 $V(MG)$  MAXIMUM VERTICAL MAIN GEAR GROUND LOAD AT AFT CG  
 $H$  MAXIMUM HORIZONTAL GROUND LOAD FROM BRAKING

1	2	3		4		5		6	
		$V(NG)$		STATIC BRAKING AT 10 ft/s <sup>2</sup> DECELERATION		$V(MG)$ (PER STRUT)		H (PER STRUT)	
WEIGHT VARIANT	MAXIMUM RAMP WEIGHT	STATIC LOAD AT MOST FWD CG	STATIC LOAD AT 10 ft/s <sup>2</sup> DECELERATION	STATIC LOAD AT MAX AFT CG	STEADY BRAKING AT INSTANTANEOUS BRAKING COEFFICIENT = 0.8	STATIC LOAD AT MOST FWD CG	STATIC LOAD AT 10 ft/s <sup>2</sup> DECELERATION	STATIC LOAD AT MAX AFT CG	STEADY BRAKING AT INSTANTANEOUS BRAKING COEFFICIENT = 0.8
A320-200 WV000	73 900 kg (162 925 lb)	10 000 kg (22 050 lb) 17% MAC (b)	15 830 kg (34 900 lb)	34 720 kg (76 550 lb) 40% MAC (a)	11 480 kg (25 325 lb)	10 000 kg (22 050 lb) 17% MAC (a)	15 070 kg (33 225 lb)	32 500 kg (71 650 lb) 43% MAC (a)	10 630 kg (23 425 lb)
A320-200 WV001	68 400 kg (150 800 lb)	9 510 kg (20 975 lb) 17% MAC (a)	15 070 kg (33 225 lb)	32 500 kg (71 650 lb) 43% MAC (a)	10 630 kg (23 425 lb)	9 780 kg (21 575 lb) 17% MAC (a)	15 500 kg (34 175 lb)	33 330 kg (73 475 lb) 42% MAC (a)	10 940 kg (24 125 lb)
A320-200 WV002 (CG 42%)	70 400 kg (155 200 lb)	9 780 kg (21 575 lb) 17% MAC (a)	15 500 kg (34 175 lb)	33 330 kg (73 475 lb) 42% MAC (a)	10 940 kg (24 125 lb)	9 780 kg (21 575 lb) 17% MAC (a)	15 500 kg (34 175 lb)	33 200 kg (73 200 lb) 41% MAC (a)	10 940 kg (24 125 lb)
A320-200 WV003 (CG 38.7%)	75 900 kg (167 325 lb)	10 000 kg (22 050 lb) 17% MAC (a)	15 820 kg (34 900 lb)	35 490 kg (78 250 lb) 38.7% MAC (a)	11 800 kg (26 000 lb)	10 000 kg (22 050 lb) 17% MAC (a)	15 820 kg (34 900 lb)	35 490 kg (78 250 lb) 38.7% MAC (a)	11 800 kg (26 000 lb)

**NOTE:**

- (a) LOADS CALCULATED USING AIRCRAFT AT MRW.
- (b) LOADS CALCULATED USING AIRCRAFT AT 72 000 kg (158 725 lb).
- (c) BRAKED MAIN GEAR.

N\_AC\_070300\_1\_0100101\_01\_04

Maximum Pavement Loads for A320-200  
 (Sheet 1 of 4)  
 FIGURE-7-3-0-991-010-A01



AIRCRAFT CHARACTERISTICS - AIRPORT AND MAINTENANCE PLANNING

**\*\*ON A/C A320-200**

1	2	3		4		5		6	
		V (NG)		STATIC BRAKING AT 10 ft/s <sup>2</sup> DECELERATION		V (MG)(PER STRUT)		H (PER STRUT)	
WEIGHT VARIANT	MAXIMUM RAMP WEIGHT	STATIC LOAD AT MOST FWD CG	17% MAC (b)	15 820 kg (34 900 lb)	STATIC BRAKING AT 10 ft/s <sup>2</sup> DECELERATION	STATIC LOAD AT MAX AFT CG	38.5% MAC (a)	STEADY BRAKING AT 10 ft/s <sup>2</sup> DECELERATION	AT INSTANTANEOUS BRAKING COEFFICIENT = 0.8
A320-200 WV003 (CG 38.5%)	75 900 kg (167 325 lb)	10 000 kg (22 050 lb)	17% MAC (b)	15 820 kg (34 900 lb)	15 820 kg (34 900 lb)	35 470 kg (78 200 lb)	38.5% MAC (a)	11 800 kg (26 000 lb)	28 370 kg (62 550 lb) (c)
A320-200 WV004	71 900 kg (158 500 lb)	9 990 kg (22 025 lb)	17% MAC (a)	15 820 kg (34 875 lb)	15 820 kg (34 875 lb)	33 970 kg (74 900 lb)	41.5% MAC (a)	11 170 kg (24 625 lb)	27 180 kg (59 925 lb) (c)
A320-200 WV005 (CG 43%)	67 400 kg (148 600 lb)	9 380 kg (20 675 lb)	17% MAC (a)	14 860 kg (32 750 lb)	14 860 kg (32 750 lb)	32 020 kg (70 600 lb)	43% MAC (a)	10 470 kg (23 100 lb)	25 620 kg (56 475 lb) (c)
A320-200 WV005 (CG 42%)	67 400 kg (148 600 lb)	9 380 kg (20 675 lb)	17% MAC (a)	14 860 kg (32 775 lb)	14 860 kg (32 775 lb)	31 900 kg (70 325 lb)	42% MAC (a)	10 470 kg (23 100 lb)	25 520 kg (56 275 lb) (c)
A320-200 WV006	66 400 kg (146 375 lb)	9 240 kg (20 375 lb)	17% MAC (a)	14 650 kg (32 300 lb)	14 650 kg (32 300 lb)	31 540 kg (69 550 lb)	43% MAC (a)	10 320 kg (22 750 lb)	25 230 kg (55 625 lb) (c)
A320-200 WV007 (CG 37.5%)	77 400 kg (170 650 lb)	10 000 kg (22 050 lb)	17% MAC (b)	15 820 kg (34 875 lb)	15 820 kg (34 875 lb)	36 030 kg (79 450 lb)	37.5% MAC (a)	12 030 kg (26 525 lb)	28 830 kg (63 550 lb) (c)
A320-200 WV007 (CG 33%)	77 400 kg (170 650 lb)	10 000 kg (22 050 lb)	17% MAC (b)	15 820 kg (34 875 lb)	15 820 kg (34 875 lb)	35 440 kg (78 125 lb)	33% MAC (a)	12 030 kg (26 525 lb)	28 350 kg (62 500 lb) (c)
A320-200 WV008	73 900 kg (162 925 lb)	10 000 kg (22 050 lb)	17% MAC (b)	15 830 kg (34 900 lb)	15 830 kg (34 900 lb)	34 720 kg (76 550 lb)	40% MAC (a)	11 480 kg (25 325 lb)	27 780 kg (61 250 lb) (c)
A320-200 WV009 (CG 38.7%)	75 900 kg (167 325 lb)	10 000 kg (22 050 lb)	17% MAC (b)	15 820 kg (34 900 lb)	15 820 kg (34 900 lb)	35 490 kg (78 250 lb)	38.7% MAC (a)	11 800 kg (26 000 lb)	28 390 kg (62 600 lb) (c)
A320-200 WV009 (CG 38.5%)	75 900 kg (167 325 lb)	10 000 kg (22 050 lb)	17% MAC (b)	15 830 kg (34 900 lb)	15 830 kg (34 900 lb)	35 470 kg (78 175 lb)	38.5% MAC (a)	11 800 kg (26 000 lb)	28 370 kg (62 550 lb) (c)
A320-200 WV010 (CG 37.5%)	77 400 kg (170 650 lb)	10 000 kg (22 050 lb)	17% MAC (b)	15 820 kg (34 875 lb)	15 820 kg (34 875 lb)	36 030 kg (79 450 lb)	37.5% MAC (a)	12 030 kg (26 525 lb)	28 830 kg (63 550 lb) (c)
A320-200 WV010 (CG 33%)	77 400 kg (170 650 lb)	10 000 kg (22 050 lb)	17% MAC (b)	15 820 kg (34 875 lb)	15 820 kg (34 875 lb)	35 440 kg (78 125 lb)	33% MAC (a)	12 030 kg (26 525 lb)	28 350 kg (62 500 lb) (c)

**NOTE:**  
 (a) LOADS CALCULATED USING AIRCRAFT AT MRW.  
 (b) LOADS CALCULATED USING AIRCRAFT AT 72 000 kg (158 725 lb).  
 (c) BRAKED MAIN GEAR.

N\_AC\_070300\_1\_0100102\_01\_04

Maximum Pavement Loads for A320-200  
 (Sheet 2 of 4)  
 FIGURE-7-3-0-991-010-A01

**\*\*ON A/C A320-200**

1	2	3		4		5		6	
		V (NG)		H (PER STRUT)		V (MG) (PER STRUT)		H (PER STRUT)	
WEIGHT VARIANT	MAXIMUM RAMP WEIGHT	STATIC LOAD AT MOST FWD CG	STATIC BRAKING AT 10 ft/s <sup>2</sup> DECELERATION	STATIC BRAKING AT 10 ft/s <sup>2</sup> DECELERATION	STATIC LOAD AT MAX AFT CG	STATIC LOAD AT MAX AFT CG	STEADY BRAKING AT 10 ft/s <sup>2</sup> DECELERATION	STEADY BRAKING AT 10 ft/s <sup>2</sup> DECELERATION	AT INSTANTANEOUS BRAKING COEFFICIENT = 0.8
A320-200 WV011 (CG 38.7%)	75 900 kg (167 325 lb)	10 000 kg (22 050 lb) 17% MAC (b)	15 820 kg (34 900 lb)	15 820 kg (34 900 lb)	35 490 kg (78 250 lb) 38.7% MAC (a)	35 490 kg (78 250 lb)	11 800 kg (26 000 lb) (c)	11 800 kg (26 000 lb) (c)	28 390 kg (62 600 lb) (c)
A320-200 WV011 (CG 38.5%)	75 900 kg (167 325 lb)	10 000 kg (22 050 lb) 17% MAC (b)	15 830 kg (34 900 lb)	15 830 kg (34 900 lb)	35 470 kg (78 175 lb) 38.5% MAC (a)	35 470 kg (78 175 lb)	11 800 kg (26 000 lb) (c)	11 800 kg (26 000 lb) (c)	28 370 kg (62 550 lb) (c)
A320-200 WV012	77 400 kg (170 650 lb)	10 000 kg (22 050 lb) 17% MAC (b)	15 820 kg (34 875 lb)	15 820 kg (34 875 lb)	36 030 kg (79 450 lb) 37.5% MAC (a)	36 030 kg (79 450 lb)	12 030 kg (26 525 lb) (c)	12 030 kg (26 525 lb) (c)	28 830 kg (63 550 lb) (c)
A320-200 WV013 (CG 41.42%)	71 900 kg (158 500 lb)	9 990 kg (22 025 lb) 17% MAC (a)	15 820 kg (34 875 lb)	15 820 kg (34 875 lb)	33 960 kg (74 875 lb) 41.42% MAC (a)	33 960 kg (74 875 lb)	11 170 kg (24 625 lb) (c)	11 170 kg (24 625 lb) (c)	27 170 kg (59 900 lb) (c)
A320-200 WV013 (CG 41%)	71 900 kg (158 500 lb)	9 990 kg (22 025 lb) 17% MAC (a)	15 820 kg (34 875 lb)	15 820 kg (34 875 lb)	33 910 kg (74 750 lb) 41% MAC (a)	33 910 kg (74 750 lb)	11 170 kg (24 625 lb) (c)	11 170 kg (24 625 lb) (c)	27 130 kg (59 800 lb) (c)
A320-200 WV014	73 900 kg (162 925 lb)	10 000 kg (22 050 lb) 17% MAC (b)	15 830 kg (34 900 lb)	15 830 kg (34 900 lb)	34 720 kg (76 550 lb) 40% MAC (a)	34 720 kg (76 550 lb)	11 480 kg (25 325 lb) (c)	11 480 kg (25 325 lb) (c)	27 780 kg (61 250 lb) (c)
A320-200 WV015	78 400 kg (172 850 lb)	10 000 kg (22 050 lb) 17% MAC (b)	15 820 kg (34 875 lb)	15 820 kg (34 875 lb)	36 410 kg (80 250 lb) 36.8% MAC (a)	36 410 kg (80 250 lb)	12 180 kg (26 850 lb) (c)	12 180 kg (26 850 lb) (c)	29 120 kg (64 200 lb) (c)
A320-200 WV016	73 900 kg (162 925 lb)	10 000 kg (22 050 lb) 17% MAC (b)	15 830 kg (34 900 lb)	15 830 kg (34 900 lb)	34 720 kg (76 550 lb) 40% MAC (a)	34 720 kg (76 550 lb)	11 480 kg (25 325 lb) (c)	11 480 kg (25 325 lb) (c)	27 780 kg (61 250 lb) (c)
A320-200 WV017	78 400 kg (172 850 lb)	10 000 kg (22 050 lb) 17% MAC (b)	15 820 kg (34 875 lb)	15 820 kg (34 875 lb)	36 410 kg (80 250 lb) 36.8% MAC (a)	36 410 kg (80 250 lb)	12 180 kg (26 850 lb) (c)	12 180 kg (26 850 lb) (c)	29 120 kg (64 200 lb) (c)
A320-200 WV018 (CG 41.47%)	71 900 kg (158 500 lb)	9 990 kg (22 025 lb) 17% MAC (a)	15 820 kg (34 875 lb)	15 820 kg (34 875 lb)	33 970 kg (74 900 lb) 41.47% MAC (a)	33 970 kg (74 900 lb)	11 170 kg (24 625 lb) (c)	11 170 kg (24 625 lb) (c)	27 170 kg (59 900 lb) (c)
A320-200 WV018 (CG 41.46%)	71 900 kg (158 500 lb)	9 990 kg (22 025 lb) 17% MAC (a)	15 820 kg (34 875 lb)	15 820 kg (34 875 lb)	33 970 kg (74 900 lb) 41.46% MAC (a)	33 970 kg (74 900 lb)	11 170 kg (24 625 lb) (c)	11 170 kg (24 625 lb) (c)	27 170 kg (59 900 lb) (c)
A320-200 WV018 (CG 41.4%)	71 900 kg (158 500 lb)	9 990 kg (22 025 lb) 17% MAC (a)	15 820 kg (34 875 lb)	15 820 kg (34 875 lb)	33 960 kg (74 875 lb) 41.4% MAC (a)	33 960 kg (74 875 lb)	11 170 kg (24 625 lb) (c)	11 170 kg (24 625 lb) (c)	27 170 kg (59 900 lb) (c)

**NOTE:**  
 (a) LOADS CALCULATED USING AIRCRAFT AT MRW.  
 (b) LOADS CALCULATED USING AIRCRAFT AT 72 000 kg (158 725 lb).  
 (c) BRAKED MAIN GEAR.

N\_AC\_070300\_1\_0100103\_01\_04

Maximum Pavement Loads for A320-200  
 (Sheet 3 of 4)  
 FIGURE-7-3-0-991-010-A01

**\*\*ON A/C A320-200**

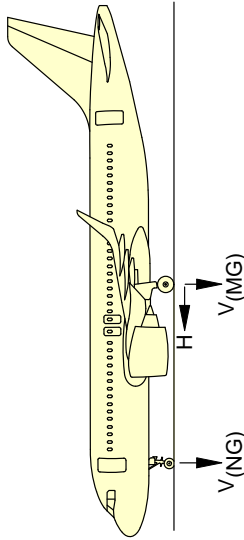
1	2	3		4		5		6	
		V(NG)		STATIC BRAKING AT 10 ft/s <sup>2</sup> DECELERATION		V(MG)(PER STRUT)		H(PER STRUT)	
WEIGHT VARIANT	MAXIMUM RAMP WEIGHT	STATIC LOAD AT MOST FWD CG	STATIC BRAKING AT 10 ft/s <sup>2</sup> DECELERATION	STATIC BRAKING AT 10 ft/s <sup>2</sup> DECELERATION	STATIC LOAD AT MAX AFT CG	STEADY BRAKING AT 10 ft/s <sup>2</sup> DECELERATION	STEADY BRAKING AT 10 ft/s <sup>2</sup> DECELERATION	AT INSTANTANEOUS BRAKING COEFFICIENT = 0.8	
A320-200 WV018 (CG 41%)	71 900 kg (158 500 lb)	9 990 kg (22 025 lb) 17% MAC (a)	15 820 kg (34 875 lb)	15 820 kg (34 875 lb)	33 910 kg (74 750 lb) 41% MAC (a)	11 170 kg (24 625 lb) (b)	11 170 kg (24 625 lb) (b)	27 130 kg (59 800 lb) (b)	
A320-200 WV019 (CG 42.61%)	70 400 kg (155 200 lb)	9 790 kg (21 575 lb) 17% MAC (a)	15 500 kg (34 175 lb)	15 500 kg (34 175 lb)	33 400 kg (73 625 lb) 42.61% MAC (a)	10 940 kg (24 125 lb) (b)	10 940 kg (24 125 lb) (b)	26 720 kg (58 900 lb) (b)	
A320-200 WV019 (CG 42%)	70 400 kg (155 200 lb)	9 780 kg (21 575 lb) 17% MAC (a)	15 500 kg (34 175 lb)	15 500 kg (34 175 lb)	33 330 kg (73 475 lb) 42% MAC (a)	10 940 kg (24 125 lb) (b)	10 940 kg (24 125 lb) (b)	26 660 kg (58 775 lb) (b)	
A320-200 WV019 (CG 41%)	70 400 kg (155 200 lb)	9 780 kg (21 575 lb) 17% MAC (a)	15 500 kg (34 175 lb)	15 500 kg (34 175 lb)	33 200 kg (73 200 lb) 41% MAC (a)	10 940 kg (24 125 lb) (b)	10 940 kg (24 125 lb) (b)	26 560 kg (58 550 lb) (b)	
A320-200 WV019 (CG 40%)	70 400 kg (155 200 lb)	9 790 kg (21 575 lb) 17% MAC (a)	15 500 kg (34 175 lb)	15 500 kg (34 175 lb)	33 080 kg (72 925 lb) 40% MAC (a)	10 940 kg (24 125 lb) (b)	10 940 kg (24 125 lb) (b)	26 460 kg (58 350 lb) (b)	

**NOTE:**  
(a) LOADS CALCULATED USING AIRCRAFT AT MRW.  
(b) BRAKED MAIN GEAR.

N\_AC\_070300\_1\_0100104\_01\_00

Maximum Pavement Loads for A320-200  
(Sheet 4 of 4)  
FIGURE-7-3-0-991-010-A01

**\*\*ON A/C A320neo**



V(NG) MAXIMUM VERTICAL NOSE GEAR GROUND LOAD AT FWD CG  
 V(MG) MAXIMUM VERTICAL MAIN GEAR GROUND LOAD AT AFT CG  
 H MAXIMUM HORIZONTAL GROUND LOAD FROM BRAKING

1	2	3		4	5		6	
WEIGHT VARIANT	MAXIMUM RAMP WEIGHT	V(NG)		STATIC BRAKING AT 10 ft/s <sup>2</sup> DECELERATION	V(MG) (PER STRUT)		H (PER STRUT)	
		STATIC LOAD AT MOST FWD CG	17% MAC (b)		STATIC LOAD AT MAX AFT CG		STEADY BRAKING AT 10 ft/s <sup>2</sup> DECELERATION	
							AT INSTANTANEOUS BRAKING COEFFICIENT = 0.8	
A320NEO WV050 (CG 38.87%)	73 900 kg (162 925 lb)	10 000 kg (22 050 lb)	17% MAC (b)	15 830 kg (34 900 lb)	34 710 kg (76 525 lb)	39.87% MAC (a)	11 480 kg (25 325 lb) (c)	27 760 kg (61 200 lb) (c)
A320NEO WV050 (CG 39.85%)	73 900 kg (162 925 lb)	10 000 kg (22 050 lb)	17% MAC (b)	15 830 kg (34 900 lb)	34 700 kg (76 500 lb)	39.85% MAC (a)	11 480 kg (25 325 lb) (c)	27 760 kg (61 200 lb) (c)
A320NEO WV051 (CG 39.87%)	73 900 kg (162 925 lb)	10 000 kg (22 050 lb)	17% MAC (b)	15 830 kg (34 900 lb)	34 710 kg (76 525 lb)	39.87% MAC (a)	11 480 kg (25 325 lb) (c)	27 760 kg (61 200 lb) (c)
A320NEO WV051 (CG 39.85%)	73 900 kg (162 925 lb)	10 000 kg (22 050 lb)	17% MAC (b)	15 830 kg (34 900 lb)	34 700 kg (76 500 lb)	39.85% MAC (a)	11 480 kg (25 325 lb) (c)	27 760 kg (61 200 lb) (c)
A320NEO WV052 (CG 37.41%)	77 400 kg (170 650 lb)	10 000 kg (22 050 lb)	17% MAC (b)	15 820 kg (34 875 lb)	36 020 kg (79 425 lb)	37.41% MAC (a)	12 030 kg (26 525 lb) (c)	28 820 kg (63 525 lb) (c)
A320NEO WV052 (CG 37.4%)	77 400 kg (170 650 lb)	10 000 kg (22 050 lb)	17% MAC (b)	15 820 kg (34 875 lb)	36 020 kg (79 400 lb)	37.4% MAC (a)	12 030 kg (26 525 lb) (c)	28 820 kg (63 525 lb) (c)
A320NEO WV053 (CG 37.41%)	77 400 kg (170 650 lb)	10 000 kg (22 050 lb)	17% MAC (b)	15 820 kg (34 875 lb)	36 020 kg (79 425 lb)	37.41% MAC (a)	12 030 kg (26 525 lb) (c)	28 820 kg (63 525 lb) (c)
A320NEO WV053 (CG 37.4%)	77 400 kg (170 650 lb)	10 000 kg (22 050 lb)	17% MAC (b)	15 820 kg (34 875 lb)	36 020 kg (79 400 lb)	37.4% MAC (a)	12 030 kg (26 525 lb) (c)	28 820 kg (63 525 lb) (c)

**NOTE:**

- (a) LOADS CALCULATED USING AIRCRAFT AT MRW.
- (b) LOADS CALCULATED USING AIRCRAFT AT 72 000 kg (158 725 lb).
- (c) BRAKED MAIN GEAR.

N\_AC\_070300\_1\_0410101\_01\_05

Maximum Pavement Loads for A320NEO  
 (Sheet 1 of 4)  
 FIGURE-7-3-0-991-041-A01



AIRCRAFT CHARACTERISTICS - AIRPORT AND MAINTENANCE PLANNING

**\*\*ON A/C A320neo**

1	2	3		4		5		6
		V (NG)		STATIC BRAKING AT 10 ft/s <sup>2</sup> DECELERATION		V (MG) (PER STRUT)		
WEIGHT VARIANT	MAXIMUM RAMP WEIGHT	STATIC LOAD AT MOST FWD CG	STATIC BRAKING AT 10 ft/s <sup>2</sup> DECELERATION	STATIC BRAKING AT 10 ft/s <sup>2</sup> DECELERATION	STATIC LOAD AT MAX AFT CG	STEADY BRAKING AT 10 ft/s <sup>2</sup> DECELERATION	STEADY BRAKING AT 10 ft/s <sup>2</sup> DECELERATION	AT INSTANTANEOUS BRAKING COEFFICIENT = 0.8
A320NEO WV054	79 400 kg (175 050 lb)	9 900 kg (21 825 lb) 17% MAC (b)	15 710 kg (34 625 lb)	36 760 kg (81 025 lb) 36.1% MAC (a)	12 340 kg (27 200 lb) (c)	29 410 kg (64 825 lb) (c)		
A320NEO WV055	79 400 kg (175 050 lb)	9 900 kg (21 825 lb) 17% MAC (b)	15 710 kg (34 625 lb)	36 760 kg (81 025 lb) 36.1% MAC (a)	12 340 kg (27 200 lb) (c)	29 410 kg (64 825 lb) (c)		
A320NEO WV056 (CG 39.46%)	70 400 kg (155 200 lb)	9 780 kg (21 575 lb) 17% MAC (a)	15 500 kg (34 175 lb)	33 010 kg (72 775 lb) 39.46% MAC (a)	10 940 kg (24 125 lb) (c)	26 410 kg (58 225 lb) (c)		
A320NEO WV056 (CG 40%)	70 400 kg (155 200 lb)	9 780 kg (21 575 lb) 17% MAC (a)	15 500 kg (34 175 lb)	33 080 kg (72 925 lb) 40% MAC (a)	10 940 kg (24 125 lb) (c)	26 460 kg (58 350 lb) (c)		
A320NEO WV057 (CG 40%)	70 400 kg (155 200 lb)	9 780 kg (21 575 lb) 17% MAC (a)	15 500 kg (34 175 lb)	33 080 kg (72 925 lb) 40% MAC (a)	10 940 kg (24 125 lb) (c)	26 460 kg (58 350 lb) (c)		
A320NEO WV057 (CG 39.46%)	70 400 kg (155 200 lb)	9 780 kg (21 575 lb) 17% MAC (a)	15 500 kg (34 175 lb)	33 010 kg (72 775 lb) 39.46% MAC (a)	10 940 kg (24 125 lb) (c)	26 410 kg (58 225 lb) (c)		
A320NEO WV057 (CG 38.44%)	75 900 kg (167 325 lb)	10 000 kg (22 050 lb) 17% MAC (b)	15 820 kg (34 900 lb)	35 460 kg (78 175 lb) 38.44% MAC (a)	11 800 kg (26 000 lb) (c)	28 370 kg (62 525 lb) (c)		
A320NEO WV058 (CG 38.42%)	75 900 kg (167 325 lb)	10 000 kg (22 050 lb) 17% MAC (b)	15 820 kg (34 900 lb)	35 450 kg (78 175 lb) 38.42% MAC (a)	11 800 kg (26 000 lb) (c)	28 360 kg (62 525 lb) (c)		
A320NEO WV059 (CG 38.44%)	75 900 kg (167 325 lb)	10 000 kg (22 050 lb) 17% MAC (b)	15 820 kg (34 900 lb)	35 460 kg (78 175 lb) 38.44% MAC (a)	11 800 kg (26 000 lb) (c)	28 370 kg (62 525 lb) (c)		
A320NEO WV059 (CG 38.42%)	75 900 kg (167 325 lb)	10 000 kg (22 050 lb) 17% MAC (b)	15 820 kg (34 900 lb)	35 450 kg (78 175 lb) 38.42% MAC (a)	11 800 kg (26 000 lb) (c)	28 360 kg (62 525 lb) (c)		
A320NEO WV071 (CG 38.79%)	75 400 kg (166 225 lb)	10 000 kg (22 050 lb) 17% MAC (b)	15 830 kg (34 900 lb)	35 270 kg (77 750 lb) 38.79% MAC (a)	11 720 kg (25 825 lb) (c)	28 220 kg (62 200 lb) (c)		
A320NEO WV071 (CG 38.77%)	75 400 kg (166 225 lb)	10 000 kg (22 050 lb) 17% MAC (b)	15 830 kg (34 900 lb)	35 270 kg (77 750 lb) 38.77% MAC (a)	11 720 kg (25 825 lb) (c)	28 210 kg (62 200 lb) (c)		

**NOTE:**  
 (a) LOADS CALCULATED USING AIRCRAFT AT MRW.  
 (b) LOADS CALCULATED USING AIRCRAFT AT 72 000 kg (158 725 lb).  
 (c) BRAKED MAIN GEAR.

N\_AC\_070300\_1\_0410102\_01\_03

Maximum Pavement Loads for A320NEO  
 (Sheet 2 of 4)  
 FIGURE-7-3-0-991-041-A01

**\*\*ON A/C A320neo**

1	2	3		4		5		6	
		V (NG)		V (MG) (PER STRUT)		H (PER STRUT)		H (PER STRUT)	
WEIGHT VARIANT	MAXIMUM RAMP WEIGHT	STATIC LOAD AT MOST FWD CG	STATIC BRAKING AT 10 ft/s <sup>2</sup> DECELERATION	STATIC LOAD AT MAX AFT CG	STATIC BRAKING AT 10 ft/s <sup>2</sup> DECELERATION	STEADY BRAKING AT 10 ft/s <sup>2</sup> DECELERATION	AT INSTANTANEOUS BRAKING COEFFICIENT = 0.8		
A320NEO WV075 (CG 39.51%)	74 400 kg (164 025 lb)	10 000 kg (22 050 lb) 17% MAC (b)	15 830 kg (34 900 lb)	34 890 kg (76 925 lb) 39.51% MAC (a)	11 560 kg (25 500 lb) (c)	27 920 kg (61 550 lb) (c)			
A320NEO WV075 (CG 39.49%)	74 400 kg (164 025 lb)	10 000 kg (22 050 lb) 17% MAC (b)	15 830 kg (34 900 lb)	34 890 kg (76 925 lb) 39.49% MAC (a)	11 560 kg (25 500 lb) (c)	27 910 kg (61 550 lb) (c)			
A320NEO WV078 (CG 40%)	72 900 kg (160 725 lb)	10 010 kg (22 075 lb) 17% MAC (b)	15 840 kg (34 925 lb)	34 250 kg (75 525 lb) 40% MAC (a)	11 330 kg (24 975 lb) (c)	27 400 kg (60 400 lb) (c)			
A320NEO WV078 (CG 39.87%)	72 900 kg (160 725 lb)	10 010 kg (22 075 lb) 17% MAC (b)	15 840 kg (34 925 lb)	34 240 kg (75 475 lb) 39.87% MAC (a)	11 330 kg (24 975 lb) (c)	27 390 kg (60 375 lb) (c)			
A320NEO WV082 (CG 40%)	71 900 kg (158 500 lb)	10 000 kg (22 050 lb) 17% MAC (a)	15 830 kg (34 900 lb)	33 780 kg (74 475 lb) 40% MAC (a)	11 170 kg (24 625 lb) (c)	27 030 kg (59 575 lb) (c)			
A320NEO WV082 (CG 39.71%)	71 900 kg (158 500 lb)	10 000 kg (22 050 lb) 17% MAC (a)	15 830 kg (34 900 lb)	33 750 kg (74 400 lb) 39.71% MAC (a)	11 170 kg (24 625 lb) (c)	27 000 kg (59 525 lb) (c)			
A320NEO WV083 (CG 40%)	71 900 kg (158 500 lb)	9 990 kg (22 025 lb) 17% MAC (a)	15 820 kg (34 875 lb)	33 780 kg (74 475 lb) 40% MAC (a)	11 170 kg (24 625 lb) (c)	27 030 kg (59 575 lb) (c)			
A320NEO WV083 (CG 39.71%)	71 900 kg (158 500 lb)	9 990 kg (22 025 lb) 17% MAC (a)	15 820 kg (34 875 lb)	33 750 kg (74 400 lb) 39.71% MAC (a)	11 170 kg (24 625 lb) (c)	27 000 kg (59 525 lb) (c)			
A320NEO WV085 (CG 40%)	71 400 kg (157 400 lb)	9 920 kg (21 875 lb) 17% MAC (a)	15 710 kg (34 650 lb)	33 550 kg (73 950 lb) 40% MAC (a)	11 100 kg (24 450 lb) (c)	26 840 kg (59 175 lb) (c)			
A320NEO WV085 (CG 39.63%)	71 400 kg (157 400 lb)	9 920 kg (21 875 lb) 17% MAC (a)	15 710 kg (34 650 lb)	33 500 kg (73 850 lb) 39.63% MAC (a)	11 100 kg (24 450 lb) (c)	26 800 kg (59 075 lb) (c)			
A320NEO WV103	79 400 kg (175 050 lb)	9 900 kg (21 825 lb) 17% MAC (b)	15 710 kg (34 625 lb)	36 760 kg (81 025 lb) 36.1% MAC (a)	12 340 kg (27 200 lb) (c)	29 410 kg (64 825 lb) (c)			

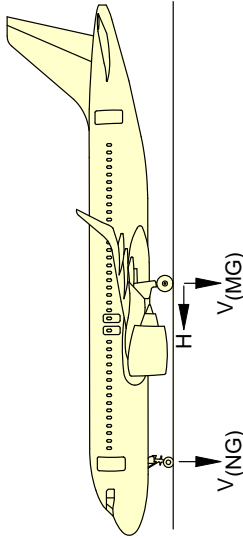
**NOTE:**  
 (a) LOADS CALCULATED USING AIRCRAFT AT MRW.  
 (b) LOADS CALCULATED USING AIRCRAFT AT 72 000 kg (158 725 lb).  
 (c) BRAKED MAIN GEAR.

N\_AC\_070300\_1\_0410103\_01\_01

Maximum Pavement Loads for A320NEO  
 (Sheet 3 of 4)  
 FIGURE-7-3-0-991-041-A01



**\*\*ON A/C A320neo**



V(NG) MAXIMUM VERTICAL NOSE GEAR GROUND LOAD AT FWD CG  
 V(MG) MAXIMUM VERTICAL MAIN GEAR GROUND LOAD AT AFT CG  
 H MAXIMUM HORIZONTAL GROUND LOAD FROM BRAKING

1	2	3		4		5		6	
		STATIC LOAD AT MOST FWD C.G.	MAC (b)	STATIC BRAKING @ 10 ft/s <sup>2</sup> DECELERATION	V(MG) (PER STRUT)	STATIC LOAD AT MAX AFT C.G.	MAC (a)	STEADY BRAKING AT INSTANTANEOUS @ 10 ft/s <sup>2</sup> DECELERATION	H (PER STRUT)
WEIGHT VARIANT	MAXIMUM RAMP WEIGHT	STATIC LOAD AT MOST FWD C.G.	MAC (b)	STATIC BRAKING @ 10 ft/s <sup>2</sup> DECELERATION	V(MG) (PER STRUT)	STATIC LOAD AT MAX AFT C.G.	MAC (a)	STEADY BRAKING AT INSTANTANEOUS @ 10 ft/s <sup>2</sup> DECELERATION	H (PER STRUT)
ACJ320NEO WV055	79 400 kg (175 050 lb)	9 900 kg (21 825 lb)	17% MAC (b)	15 710 kg (34 650 lb)	36 760 kg (81 025 lb)	36 760 kg (81 025 lb)	36.1% MAC (a)	12 340 kg (27 200 lb) (c)	29 400 kg (64 825 lb) (c)
ACJ320NEO WV110	79 400 kg (175 050 lb)	9 900 kg (21 825 lb)	17% MAC (b)	15 710 kg (34 650 lb)	36 760 kg (81 025 lb)	36 760 kg (81 025 lb)	36.1% MAC (a)	12 340 kg (27 200 lb) (c)	29 400 kg (64 825 lb) (c)
ACJ320NEO WV111 (CG 36.75%)	78 400 kg (172 850 lb)	10 000 kg (22 050 lb)	17% MAC (b)	15 820 kg (34 875 lb)	36 400 kg (80 250 lb)	36 400 kg (80 250 lb)	36.75% MAC (a)	12 180 kg (26 850 lb) (c)	29 120 kg (64 200 lb) (c)
ACJ320NEO WV111 (CG 36.74%)	78 400 kg (172 850 lb)	10 000 kg (22 050 lb)	17% MAC (b)	15 820 kg (34 875 lb)	36 400 kg (80 250 lb)	36 400 kg (80 250 lb)	36.74% MAC (a)	12 180 kg (26 850 lb) (c)	29 120 kg (64 200 lb) (c)
ACJ320NEO WV112 (CG 37.41%)	77 400 kg (170 650 lb)	10 000 kg (22 050 lb)	17% MAC (b)	15 820 kg (34 875 lb)	36 020 kg (79 425 lb)	36 020 kg (79 425 lb)	37.41% MAC (a)	12 030 kg (26 525 lb) (c)	28 820 kg (63 525 lb) (c)
ACJ320NEO WV112 (CG 37.4%)	77 400 kg (170 650 lb)	10 000 kg (22 050 lb)	17% MAC (b)	15 820 kg (34 875 lb)	36 020 kg (79 400 lb)	36 020 kg (79 400 lb)	37.4% MAC (a)	12 030 kg (26 525 lb) (c)	28 820 kg (63 525 lb) (c)

**NOTE:**

- (a) LOADS CALCULATED USING AIRCRAFT AT MRW.
- (b) LOADS CALCULATED USING AIRCRAFT AT 72 000 kg (158 725 lb).
- (c) BRAKED MAIN GEAR.

N\_AC\_070300\_1\_0410104\_01\_01

Maximum Pavement Loads for A320NEO  
 Maximum Pavement Loads for ACJ320NEO (Sheet 4 of 4)  
 FIGURE-7-3-0-991-041-A01

**7-4-0 Landing Gear Loading on Pavement****\*\*ON A/C A320-200 A320neo**Landing Gear Loading on Pavement

1. The curves related to the landing gear loading on pavement are not given in section 07-04-00. Because the relationship between the aircraft weight, the center of gravity and the landing gear loading on the pavement is not strictly linear, it cannot be shown in chart format. But you can find in section 07-03-00 the maximum vertical and horizontal pavement loads for some critical conditions at the tire/ground interfaces for all the operational weight variants of the aircraft.

For questions that are related to landing gear loading on pavement, contact Airbus.

**7-5-0 Flexible Pavement Requirements - U.S. Army Corps of Engineers Design Method****\*\*ON A/C A320-200 A320neo**Flexible Pavement Requirements - US Army Corps of Engineers Design Method

1. The flexible pavement requirements curves as per as U.S. Army Corps of Engineers Design Method are not given in section 07-05-00 since the related data is available through free software.  
Sections 07-02-00 and 07-03-00 give all the inputs data required for the use of such software.

NOTE : The U.S. Army Corps of Engineers Design Method for flexible pavements is being gradually superseded by mechanistic-empirical design methods mostly relying on Linear Elastic Analysis (LEA). The number of parameters considered by such methods is not applicable for a chart format and the use of dedicated pavement-design software is necessary.

For questions that are related to the flexible pavement requirements, contact Airbus.

**7-6-0 Flexible Pavement Requirements - LCN Conversion****\*\*ON A/C A320-200 A320neo**Flexible Pavement Requirements - LCN Conversion

1. The Load Classification Number (LCN) curves are not given in section 07-06-00 since the LCN system for reporting pavement strength is old and are replaced by the ICAO recommended ACN/PCN system in 1983 and ACR/PCR system in 2020.  
For questions that are related to the LCN system, contact Airbus.

**7-7-0 Rigid Pavement Requirements - Portland Cement Association Design Method****\*\*ON A/C A320-200 A320neo**Rigid Pavement Requirements - Portland Cement Association Design Method

1. The rigid-pavement requirements curves as per as Portland Cement Association Design Method are not given in section 07-07-00 since the related data is available through free software. Sections 07-02-00 and 07-03-00 give all the inputs data required for the use of such software.

NOTE : The Portland Cement Association Design Method for rigid pavements is being gradually superseded by mechanistic-empirical design methods mostly relying on Finite Element Analysis (FEM). The number of parameters considered by such methods is not applicable for a chart format and the use of dedicated pavement-design software is necessary.

For questions that are related to the rigid pavement requirements, contact Airbus.



## 7-8-0 Rigid Pavement Requirements - LCN Conversion

**\*\*ON A/C A320-200 A320neo**

### Rigid Pavement Requirements - LCN Conversion

1. The Load Classification Number (LCN) curves are not given in section 07-08-00 since the LCN system for reporting pavement strength is old and are replaced by the ICAO recommended ACN/PCN system in 1983 and ACR/PCR system in 2020.  
For questions that are related to the LCN system, contact Airbus.

## 7-9-0 ACN/PCN Reporting System - Flexible and Rigid Pavements

### \*\*ON A/C A320-200 A320neo

#### Aircraft Classification Number - Flexible and Rigid Pavements

1. This section gives data about the Aircraft Classification Number (ACN) for an aircraft gross weight in relation with standard subgrade strength values for flexible and rigid pavement.  
To find the ACN of an aircraft on flexible and rigid pavement, you must know the aircraft gross weight and the subgrade strength.

**NOTE :** An aircraft with an ACN equal to or less than the reported PCN can operate on that pavement, subject to any limitation on the tire pressure.  
(Ref: ICAO Aerodrome Design Manual, Part 3, Chapter 1, Second Edition 1983).

2. Aircraft Classification Number - ACN table

The tables in FIGURE 7-9-0-991-012-A and FIGURE 7-9-0-991-016-A give data in tabular format for all the operational weight variants of the aircraft.

As an approximation, use a linear interpolation in order to get the ACN at the required operating weight using the following equation:

$$\text{ACN} = \text{ACN min} + (\text{ACN max} - \text{ACN min}) \times (\text{Operating weight} - 42\,000 \text{ kg}) / (\text{MRW} - 42\,000 \text{ kg})$$

Please note that the interpolation error may reach 5% to 10%.

As an approximation, use a linear interpolation in order to get the aircraft weight at the pavement PCN using the following equation:

$$\text{Operating weight} = 42\,000 \text{ kg} + (\text{MRW} - 42\,000 \text{ kg}) \times (\text{PCN} - \text{ACN min}) / (\text{ACN max} - \text{ACN min})$$

Please note that the interpolation error may reach up to 5%.

With ACN max = ACN calculated at the MRW in the table and with ACN min = ACN calculated at 42 000 kg.

For questions or specific calculation regarding ACN/PCN Reporting System, contact Airbus.



AIRCRAFT CHARACTERISTICS - AIRPORT AND MAINTENANCE PLANNING

**\*\*ON A/C A320-200**

WEIGHT VARIANT	ALL UP MASS (kg)	LOAD ON ONE MAIN GEAR LEG (%)	TIRE PRESSURE (MPa)	ACN FOR RIGID PAVEMENT SUBGRADES - MN/m³				ACN FOR FLEXIBLE PAVEMENT SUBGRADES - CBR			
				High 150	Medium 80	Low 40	Ultra-low 20	High 15	Medium 10	Low 6	Ultra-low 3
A320-200 WV000	73 900	47.0	1.38	44	46	48	50	39	40	44	50
	42 000	46.9		22	24	25	26	20	20	22	26
A320-200 WV000	73 900	47.0	1.18	41	44	47	49	38	39	44	50
	42 000	46.9		21	23	24	26	20	20	22	25
A320-200 WV000	73 900	47.0	1.14	41	44	46	49	38	39	44	50
	42 000	46.9		21	23	24	25	20	20	22	25
A320-200 WV000	73 900	47.0	1.03	40	43	45	48	37	39	44	50
	42 000	46.9		20	22	23	25	19	20	22	25
A320-200 WV001	68 400	47.5	1.28	39	42	44	46	35	36	41	47
	42 000	47.5		22	24	25	26	20	21	22	26
A320-200 WV001	68 400	47.5	1.09	37	40	43	45	35	36	40	46
	42 000	47.5		21	23	24	25	20	20	22	26
A320-200 WV001	68 400	47.5	1.06	37	40	42	44	34	36	40	46
	42 000	47.5		21	22	24	25	20	20	22	26
A320-200 WV001	68 400	47.5	0.96	36	39	41	44	34	35	40	46
	42 000	47.5		20	22	23	25	19	20	22	26
A320-200 WV002 (CG 42%)	70 400	47.3	1.28	41	43	45	47	36	37	42	48
	42 000	47.3		22	23	25	26	20	21	22	26
A320-200 WV002 (CG 42%)	70 400	47.3	1.09	38	41	44	46	36	37	42	48
	42 000	47.3		21	22	24	25	20	20	22	26
A320-200 WV002 (CG 42%)	70 400	47.3	1.06	38	41	44	46	36	37	42	48
	42 000	47.3		21	22	24	25	20	20	22	26
A320-200 WV002 (CG 42%)	70 400	47.3	0.96	37	40	43	45	35	36	41	48
	42 000	47.3		20	22	23	25	19	20	22	26
A320-200 WV002 (CG 41%)	70 400	47.2	1.28	40	43	45	47	36	37	42	48
	42 000	47.1		22	23	25	26	20	20	22	26
A320-200 WV002 (CG 41%)	70 400	47.2	1.09	38	41	44	46	36	37	41	47
	42 000	47.1		21	22	24	25	20	20	22	25
A320-200 WV002 (CG 41%)	70 400	47.2	1.06	38	41	43	46	35	37	41	47
	42 000	47.1		21	22	24	25	20	20	22	25
A320-200 WV002 (CG 41%)	70 400	47.2	0.96	37	40	42	45	35	36	41	47
	42 000	47.1		20	22	23	25	19	20	22	25

N\_AC\_070900\_1\_0120101\_01\_03

ACN Table for A320-200  
(Sheet 1 of 9)  
FIGURE-7-9-0-991-012-A01



**\*\*ON A/C A320-200**

WEIGHT VARIANT	ALL UP MASS (kg)	LOAD ON ONE MAIN GEAR LEG (%)	TIRE PRESSURE (MPa)	ACN FOR RIGID PAVEMENT SUBGRADES - MN/m <sup>2</sup>			ACN FOR FLEXIBLE PAVEMENT SUBGRADES - CBR		
				HIGH	MEDIUM	LOW	HIGH	MEDIUM	LOW
A320-200 WV003 (CG 38.7%)	75 900	46.8	1.38	150	80	40	15	10	6
A320-200 WV003 (CG 38.7%)	42 000	46.7	1.18	45	47	50	40	41	46
A320-200 WV003 (CG 38.7%)	75 900	46.8	1.14	22	24	25	20	20	22
A320-200 WV003 (CG 38.7%)	42 000	46.7	1.14	43	45	48	39	40	45
A320-200 WV003 (CG 38.7%)	75 900	46.8	1.03	21	23	24	20	20	22
A320-200 WV003 (CG 38.7%)	42 000	46.7	1.03	42	44	47	38	40	45
A320-200 WV003 (CG 38.5%)	75 900	46.7	1.38	20	22	23	19	20	22
A320-200 WV003 (CG 38.5%)	42 000	46.7	1.18	45	47	50	40	41	46
A320-200 WV003 (CG 38.5%)	75 900	46.7	1.14	22	24	25	20	20	22
A320-200 WV003 (CG 38.5%)	42 000	46.7	1.14	43	45	48	39	40	45
A320-200 WV003 (CG 38.5%)	75 900	46.7	1.03	21	23	24	20	20	22
A320-200 WV003 (CG 38.5%)	42 000	46.7	1.03	42	44	47	38	40	45
A320-200 WV004	71 900	47.3	1.38	20	22	23	19	20	22
A320-200 WV004	42 000	47.2	1.18	42	45	47	38	39	43
A320-200 WV004	71 900	47.2	1.14	23	24	25	20	21	22
A320-200 WV004	42 000	47.3	1.03	40	43	46	37	38	43
A320-200 WV004	71 900	47.3	1.14	21	23	24	20	20	22
A320-200 WV004	42 000	47.2	1.03	40	43	45	37	38	43
A320-200 WV005 (CG 43%)	71 900	47.5	1.28	21	23	24	20	20	22
A320-200 WV005 (CG 43%)	42 000	47.5	1.09	39	42	44	36	38	43
A320-200 WV005 (CG 43%)	71 900	47.5	1.06	20	22	24	19	20	22
A320-200 WV005 (CG 43%)	42 000	47.5	0.96	39	41	43	35	36	40
A320-200 WV005 (CG 43%)	71 900	47.5	1.09	22	24	25	20	21	22
A320-200 WV005 (CG 43%)	42 000	47.5	1.06	37	39	42	34	35	40
A320-200 WV005 (CG 43%)	71 900	47.5	1.06	21	23	24	20	20	22
A320-200 WV005 (CG 43%)	42 000	47.5	0.96	36	39	42	34	35	40
A320-200 WV005 (CG 43%)	71 900	47.5	0.96	21	22	24	20	20	22
A320-200 WV005 (CG 43%)	42 000	47.5	0.96	35	38	41	33	35	39
A320-200 WV005 (CG 43%)	71 900	47.5	0.96	20	22	23	19	20	22

N\_AC\_070900\_1\_0120102\_01\_03

ACN Table for A320-200  
(Sheet 2 of 9)  
FIGURE-7-9-0-991-012-A01

**\*\*ON A/C A320-200**

WEIGHT VARIANT	ALL UP MASS (kg)	LOAD ON ONE MAIN GEAR LEG (%)	TIRE PRESSURE (MPa)	ACN FOR RIGID PAVEMENT SUBGRADES - MN/m <sup>3</sup>						ACN FOR FLEXIBLE PAVEMENT SUBGRADES - CBR					
				HIGH		MEDIUM		LOW		HIGH		MEDIUM		LOW	
				150	80	40	25	26	40	20	15	10	6	3	
A320-200 WV005 (CG 42%)	67 400	47.3	1.28	38	41	43	45	35	36	40	46				
A320-200 WV005 (CG 42%)	42 000	47.3	1.09	22	23	25	26	20	21	22	26				
A320-200 WV005 (CG 42%)	67 400	47.3	1.06	36	39	42	44	34	35	39	45				
A320-200 WV005 (CG 42%)	42 000	47.3	0.96	21	22	24	25	20	20	22	26				
A320-200 WV005 (CG 42%)	67 400	47.3	1.23	36	39	41	44	34	35	39	45				
A320-200 WV006	42 000	47.3	0.92	21	22	24	25	20	20	22	26				
A320-200 WV006	66 400	47.5	1.02	35	38	40	43	33	35	39	45				
A320-200 WV006	42 000	47.5	0.92	20	22	23	25	19	20	22	26				
A320-200 WV006	66 400	47.5	1.44	37	40	42	44	34	35	39	45				
A320-200 WV007 (CG 37.5%)	42 000	46.6	1.23	22	23	25	26	20	21	22	26				
A320-200 WV007 (CG 37.5%)	66 400	47.5	1.07	35	38	40	43	33	34	39	45				
A320-200 WV007 (CG 37.5%)	42 000	46.6	1.20	20	21	23	25	19	20	22	26				
A320-200 WV007 (CG 37.5%)	77 400	46.6	1.07	46	49	51	53	41	42	47	53				
A320-200 WV007 (CG 33%)	42 000	46.5	1.23	22	24	25	26	20	20	22	25				
A320-200 WV007 (CG 33%)	66 400	47.5	1.07	34	37	40	42	32	34	38	45				
A320-200 WV007 (CG 33%)	42 000	46.5	1.44	20	22	23	25	19	20	22	25				
A320-200 WV007 (CG 33%)	77 400	45.8	1.23	42	45	48	50	39	41	46	52				
A320-200 WV007 (CG 33%)	42 000	45.7	1.20	20	22	23	25	20	20	22	25				
A320-200 WV007 (CG 33%)	66 400	47.5	1.07	34	36	38	40	30	30	34	40				
A320-200 WV008	42 000	46.9	1.38	21	22	24	25	20	20	21	25				
A320-200 WV008	73 900	47.0	1.38	43	46	48	50	39	40	45	51				
A320-200 WV008	42 000	46.9	1.38	22	24	25	26	20	20	22	26				

N\_AC\_070900\_1\_0120103\_01\_03

ACN Table for A320-200  
(Sheet 3 of 9)  
FIGURE-7-9-0-991-012-A01

**\*\*ON A/C A320-200**

WEIGHT VARIANT	ALL UP MASS (kg)	LOAD ON ONE MAIN GEAR LEG (%)	TIRE PRESSURE (MPa)	ACN FOR RIGID PAVEMENT SUBGRADES - MN/m <sup>3</sup>			ACN FOR FLEXIBLE PAVEMENT SUBGRADES - CBR				
				HIGH	MEDIUM	LOW	HIGH	MEDIUM	LOW		
				150	80	40	15	10	6		
A320-200 WV008	73 900	47.0	1.18	41	44	47	49	38	39	44	50
	42 000	46.9		21	23	24	26	20	20	22	25
A320-200 WV008	73 900	47.0	1.14	41	44	46	49	38	39	44	50
	42 000	46.9		21	23	24	25	20	20	22	25
A320-200 WV008	73 900	47.0	1.03	40	43	45	48	37	39	44	50
	42 000	46.9		20	22	23	25	19	20	22	25
A320-200 WV009 (CG 38.7%)	75 900	46.8	1.38	45	47	50	52	40	41	46	52
	42 000	46.7		22	24	25	26	20	20	22	25
A320-200 WV009 (CG 38.7%)	75 900	46.8	1.18	43	45	48	50	39	40	45	51
	42 000	46.7		21	23	24	25	20	20	22	25
A320-200 WV009 (CG 38.7%)	75 900	46.8	1.14	42	45	48	50	39	40	45	51
	42 000	46.7		21	22	24	25	20	20	22	25
A320-200 WV009 (CG 38.7%)	75 900	46.8	1.03	41	44	47	49	38	40	45	51
	42 000	46.7		20	22	23	25	19	20	22	25
A320-200 WV09 (CG 38.5%)	75 900	46.7	1.38	45	47	50	52	40	41	46	52
	42 000	46.7		22	24	25	26	20	20	22	25
A320-200 WV09 (CG 38.5%)	75 900	46.7	1.14	42	45	48	50	39	40	45	51
	42 000	46.7		21	22	24	25	20	20	22	25
A320-200 WV09 (CG 38.5%)	75 900	46.7	1.18	43	45	48	50	39	40	45	51
	42 000	46.7		21	23	24	25	20	20	22	25
A320-200 WV09 (CG 38.5%)	75 900	46.7	1.03	41	44	47	49	38	40	45	51
	42 000	46.7		20	22	23	25	19	20	22	25
A320-200 WV010 (CG 37.5%)	77 400	46.6	1.44	46	49	51	53	41	42	47	53
	42 000	46.5		22	24	25	26	20	20	22	25
A320-200 WV010 (CG 37.5%)	77 400	46.6	1.23	44	47	49	52	40	41	46	52
	42 000	46.5		21	23	24	25	20	20	22	25
A320-200 WV010 (CG 37.5%)	77 400	46.6	1.20	44	46	49	51	40	41	46	52
	42 000	46.5		21	23	24	25	20	20	22	25
A320-200 WV010 (CG 37.5%)	77 400	46.6	1.07	42	45	48	50	39	41	46	52
	42 000	46.5		20	22	23	25	19	20	22	25
A320-200 WV010 (CG 33%)	77 400	45.8	1.44	45	48	50	52	40	41	46	52
	42 000	45.7		22	23	25	26	20	20	21	25

N\_AC\_070900\_1\_0120104\_01\_03

ACN Table for A320-200  
(Sheet 4 of 9)  
FIGURE-7-9-0-991-012-A01

**\*\*ON A/C A320-200**

WEIGHT VARIANT	ALL UP MASS (kg)	LOAD ON ONE MAIN GEAR LEG (%)	TIRE PRESSURE (MPa)	ACN FOR RIGID PAVEMENT SUBGRADES - MN/m <sup>3</sup>			ACN FOR FLEXIBLE PAVEMENT SUBGRADES - CBR		
				HIGH	MEDIUM	LOW	HIGH	MEDIUM	LOW
A320-200	77 400	45.8	1.23	43	46	48	39	40	45
WV010 (CG 33%)	42 000	45.7		21	22	24	25	20	21
A320-200	77 400	45.8	1.20	43	46	48	39	40	45
WV010 (CG 33%)	42 000	45.7		21	22	24	25	19	20
A320-200	77 400	45.8	1.07	41	44	47	39	40	45
WV010 (CG 33%)	42 000	45.7		20	21	23	24	19	19
A320-200	75 900	46.8	1.38	45	47	50	40	41	46
WV011 (CG 38.7%)	42 000	46.7		22	24	25	26	20	20
A320-200	75 900	46.8	1.18	43	45	48	39	40	45
WV011 (CG 38.7%)	42 000	46.7		21	23	24	25	20	20
A320-200	75 900	46.8	1.14	42	45	48	39	40	45
WV011 (CG 38.7%)	42 000	46.7		21	22	24	25	20	20
A320-200	75 900	46.8	1.03	41	44	47	38	40	45
WV011 (CG 38.7%)	42 000	46.7		20	22	23	25	19	20
A320-200	75 900	46.7	1.38	45	47	50	40	41	46
WV011 (CG 38.5%)	42 000	46.7		22	24	25	26	20	20
A320-200	75 900	46.7	1.18	43	45	48	39	40	45
WV011 (CG 38.5%)	42 000	46.7		21	23	24	25	20	20
A320-200	75 900	46.7	1.14	42	45	48	39	40	45
WV011 (CG 38.5%)	42 000	46.7		21	22	24	25	20	20
A320-200	75 900	46.7	1.03	41	44	47	38	40	45
WV011 (CG 38.5%)	42 000	46.7		20	22	23	25	19	20
A320-200	77 400	46.6	1.44	46	49	51	41	42	47
WV012	42 000	46.5		22	24	25	26	20	20
A320-200	77 400	46.6	1.23	44	47	49	40	41	46
WV012	42 000	46.5		21	23	24	25	20	20
A320-200	77 400	46.6	1.20	44	46	49	40	41	46
WV012	42 000	46.5		21	23	24	25	20	20
A320-200	77 400	46.6	1.07	42	45	48	39	41	46
WV012	42 000	46.5		20	22	23	25	19	20
A320-200	71 900	47.2	1.38	42	45	47	38	39	43
WV013 (CG 41.42%)	42 000	47.2		23	24	25	27	20	21

N\_AC\_070900\_1\_0120105\_01\_03

ACN Table for A320-200  
(Sheet 5 of 9)  
FIGURE-7-9-0-991-012-A01

**\*\*ON A/C A320-200**

WEIGHT VARIANT	ALL UP MASS (kg)	LOAD ON ONE MAIN GEAR LEG (%)	TIRE PRESSURE (MPa)	ACN FOR RIGID PAVEMENT SUBGRADES - MN/m <sup>3</sup>			ACN FOR FLEXIBLE PAVEMENT SUBGRADES - CBR		
				HIGH	MEDIUM	LOW	HIGH	MEDIUM	LOW
A320-200 WV013 (CG 41.42%)	71 900	47.2	1.18	150	80	40	15	10	6
	42 000	47.2		40	43	46	37	38	43
A320-200 WV013 (CG 41.42%)	71 900	47.2	1.14	40	43	45	37	38	43
	42 000	47.2		21	23	24	20	20	22
A320-200 WV013 (CG 41.42%)	71 900	47.2	1.03	39	42	44	36	38	43
	42 000	47.2		20	22	24	19	20	22
A320-200 WV013 (CG 41%)	71 900	47.2	1.38	42	45	47	38	39	43
	42 000	47.1		22	24	25	20	21	22
A320-200 WV013 (CG 41%)	71 900	47.2	1.18	40	43	46	37	38	43
	42 000	47.1		21	23	24	20	20	22
A320-200 WV013 (CG 41%)	71 900	47.2	1.14	40	43	45	37	38	43
	42 000	47.1		21	23	24	20	20	22
A320-200 WV013 (CG 41%)	71 900	47.2	1.03	38	41	44	36	38	42
	42 000	47.1		20	22	24	19	20	22
A320-200 WV014	73 900	47.0	1.38	44	46	48	39	40	44
	42 000	46.9		22	24	25	20	20	22
A320-200 WV014	73 900	47.0	1.18	41	44	47	38	39	44
	42 000	46.9		21	23	24	20	20	22
A320-200 WV014	73 900	47.0	1.14	41	44	46	38	39	44
	42 000	46.9		21	23	24	20	20	22
A320-200 WV014	73 900	47.0	1.03	40	43	45	37	39	44
	42 000	46.9		20	22	23	19	20	22
A320-200 WV015	78 400	46.4	1.44	47	49	52	41	43	47
	42 000	46.4		22	24	25	20	20	22
A320-200 WV016	73 900	47.0	1.38	44	46	48	39	40	44
	42 000	46.9		22	24	25	20	20	22
A320-200 WV016	73 900	47.0	1.18	41	44	47	38	39	44
	42 000	46.9		21	23	24	20	20	22
A320-200 WV016	73 900	47.0	1.14	41	44	46	38	39	44
	42 000	46.9		21	23	24	20	20	22
A320-200 WV016	73 900	47.0	1.03	40	43	45	37	39	44
	42 000	46.9		20	22	23	19	20	22

N\_AC\_070900\_1\_0120106\_01\_04

ACN Table for A320-200  
(Sheet 6 of 9)  
FIGURE-7-9-0-991-012-A01

**\*\*ON A/C A320-200**

WEIGHT VARIANT	ALL UP MASS (kg)	LOAD ON ONE MAIN GEAR LEG (%)	TIRE PRESSURE (MPa)	ACN FOR RIGID PAVEMENT SUBGRADES - MN/m <sup>3</sup>			ACN FOR FLEXIBLE PAVEMENT SUBGRADES - CBR				
				HIGH	MEDIUM	LOW	HIGH	MEDIUM	LOW		
										150	80
A320-200 WV017	78 400 42 000	46.4 46.4	1.44	47	49	52	54	41	43	47	53
A320-200 WV018 (CG 41.47%)	71 900 42 000	47.2 47.2	1.38	42	45	47	49	38	39	43	49
A320-200 WV018 (CG 41.47%)	71 900 42 000	47.2 47.2	1.18	40	43	46	48	37	38	43	49
A320-200 WV018 (CG 41.47%)	71 900 42 000	47.2 47.2	1.14	40	43	45	47	37	38	43	49
A320-200 WV018 (CG 41.47%)	71 900 42 000	47.2 47.2	1.03	39	42	44	47	36	38	43	49
A320-200 WV018 (CG 41.46%)	71 900 42 000	47.2 47.2	1.38	42	45	47	49	38	39	43	49
A320-200 WV018 (CG 41.46%)	71 900 42 000	47.2 47.2	1.18	40	43	46	48	37	38	43	49
A320-200 WV018 (CG 41.46%)	71 900 42 000	47.2 47.2	1.14	40	43	45	47	37	38	43	49
A320-200 WV018 (CG 41.46%)	71 900 42 000	47.2 47.2	1.03	39	42	44	47	36	38	43	49
A320-200 WV018 (CG 41.4%)	71 900 42 000	47.2 47.2	1.38	42	45	47	49	38	39	43	49
A320-200 WV018 (CG 41.4%)	71 900 42 000	47.2 47.2	1.18	40	43	46	48	37	38	43	49
A320-200 WV018 (CG 41.4%)	71 900 42 000	47.2 47.2	1.14	40	43	45	47	37	38	43	49
A320-200 WV018 (CG 41.4%)	71 900 42 000	47.2 47.2	1.03	39	42	44	47	36	38	43	49
A320-200 WV018 (CG 41%)	71 900 42 000	47.2 47.2	1.38	42	45	47	49	38	39	43	49
A320-200 WV018 (CG 41%)	71 900 42 000	47.2 47.2	1.18	40	43	46	48	37	38	43	49
A320-200 WV018 (CG 41%)	71 900 42 000	47.2 47.2	1.14	40	43	45	47	37	38	43	49
A320-200 WV018 (CG 41%)	71 900 42 000	47.2 47.2	1.03	39	42	44	47	36	38	43	49
A320-200 WV018 (CG 41%)	71 900 42 000	47.2 47.2	1.38	42	45	47	49	38	39	43	49
A320-200 WV018 (CG 41%)	71 900 42 000	47.2 47.2	1.18	40	43	46	48	37	38	43	49
A320-200 WV018 (CG 41%)	71 900 42 000	47.2 47.2	1.14	40	43	45	47	37	38	43	49

N\_AC\_070900\_1\_0120107\_01\_03

ACN Table for A320-200  
(Sheet 7 of 9)  
FIGURE-7-9-0-991-012-A01

**\*\*ON A/C A320-200**

WEIGHT VARIANT	ALL UP MASS (kg)	LOAD ON ONE MAIN GEAR LEG (%)	TIRE PRESSURE (MPa)	ACN FOR RIGID PAVEMENT SUBGRADES - MN/m <sup>3</sup>				ACN FOR FLEXIBLE PAVEMENT SUBGRADES - CBR			
				HIGH 150	MEDIUM 80	LOW 40	ULTRA-LOW 20	HIGH 15	MEDIUM 10	LOW 6	ULTRA-LOW 3
A320-200 WV018 (CG 41%)	71 900	47.2	1.03	38	41	44	46	36	38	42	49
A320-200 WV019 (CG 42.61%)	42 000	47.1	1.28	20	22	24	25	19	20	22	25
A320-200 WV019 (CG 42.61%)	70 400	47.4	1.09	41	43	46	48	37	38	42	48
A320-200 WV019 (CG 42.61%)	42 000	47.4	1.06	22	24	25	26	20	21	22	26
A320-200 WV019 (CG 42.61%)	70 400	47.4	1.09	39	41	44	46	36	37	42	48
A320-200 WV019 (CG 42.61%)	42 000	47.4	1.06	21	22	24	25	20	20	22	26
A320-200 WV019 (CG 42.61%)	70 400	47.4	1.06	38	41	44	46	36	37	42	48
A320-200 WV019 (CG 42.61%)	42 000	47.4	1.09	21	22	24	25	20	20	22	26
A320-200 WV019 (CG 42.61%)	70 400	47.4	1.09	37	40	43	45	35	37	41	48
A320-200 WV019 (CG 42.61%)	42 000	47.4	1.06	20	22	23	25	19	20	22	26
A320-200 WV019 (CG 42%)	70 400	47.3	1.28	41	43	45	47	36	37	42	48
A320-200 WV019 (CG 42%)	42 000	47.3	1.09	22	23	25	26	20	21	22	26
A320-200 WV019 (CG 42%)	70 400	47.3	1.06	38	41	44	46	36	37	42	48
A320-200 WV019 (CG 42%)	42 000	47.3	1.06	21	22	24	25	20	20	22	26
A320-200 WV019 (CG 42%)	70 400	47.3	0.96	37	40	43	45	35	36	41	48
A320-200 WV019 (CG 41%)	42 000	47.3	1.28	20	22	23	25	19	20	22	26
A320-200 WV019 (CG 41%)	70 400	47.2	1.09	40	43	45	47	36	37	42	48
A320-200 WV019 (CG 41%)	42 000	47.1	1.06	22	23	25	26	20	20	22	26
A320-200 WV019 (CG 41%)	70 400	47.2	1.09	38	41	44	46	36	37	41	47
A320-200 WV019 (CG 41%)	42 000	47.1	1.06	21	22	24	25	20	20	22	25
A320-200 WV019 (CG 41%)	70 400	47.2	1.06	38	41	43	46	35	37	41	47
A320-200 WV019 (CG 41%)	42 000	47.1	0.96	21	22	24	25	20	20	22	25
A320-200 WV019 (CG 40%)	70 400	47.1	1.28	37	40	42	45	35	36	41	47
A320-200 WV019 (CG 40%)	42 000	47.0	1.09	20	22	23	25	19	20	22	25
A320-200 WV019 (CG 40%)	70 400	46.9	1.06	40	43	45	47	36	37	42	47
A320-200 WV019 (CG 40%)	42 000	47.0	1.09	22	23	25	26	20	20	22	25
A320-200 WV019 (CG 40%)	70 400	47.0	1.06	38	41	43	46	36	37	41	47
A320-200 WV019 (CG 40%)	42 000	46.9	1.06	21	22	24	25	20	20	22	25
A320-200 WV019 (CG 40%)	70 400	47.0	1.06	38	41	43	45	35	37	41	47
A320-200 WV019 (CG 40%)	42 000	46.9	1.06	20	22	24	25	20	20	22	25

N\_AC\_070900\_1\_0120108\_01\_00

ACN Table for A320-200  
(Sheet 8 of 9)  
FIGURE-7-9-0-991-012-A01

**\*\*ON A/C A320-200**

WEIGHT VARIANT	ALL UP MASS (kg)	LOAD ON ONE MAIN GEAR LEG (%)	TIRE PRESSURE (MPa)	ACN FOR RIGID PAVEMENT SUBGRADES - MN/m <sup>3</sup>				ACN FOR FLEXIBLE PAVEMENT SUBGRADES - CBR			
				HIGH 150	MEDIUM 80	LOW 40	ULTRA-LOW 20	HIGH 15	MEDIUM 10	LOW 6	ULTRA-LOW 3
A320-200 WV019 (CG 40%)	70 400	47.0	0.96	36	39	42	45	34	36	41	47
	42 000	46.9		20	21	23	24	19	20	22	25

N\_AC\_070900\_1\_0120109\_01\_00

ACN Table for A320-200  
(Sheet 9 of 9)  
FIGURE-7-9-0-991-012-A01



**\*\*ON A/C A320neo**

WEIGHT VARIANT	ALL UP MASS (kg)	LOAD ON ONE MAIN GEAR LEG (%)	TIRE PRESSURE (MPa)	ACN FOR RIGID PAVEMENT SUBGRADES - MN/m <sup>3</sup>				ACN FOR FLEXIBLE PAVEMENT SUBGRADES - CBR			
				HIGH 150	MEDIUM 80	LOW 40	ULTRA-LOW 20	HIGH 15	MEDIUM 10	LOW 6	ULTRA-LOW 3
A320NEO	73 900	47.0	1.38	44	46	48	50	39	40	44	50
WV050 (CG 38.87%)	42 000	46.9		22	24	25	26	20	20	22	25
A320NEO	73 900	47.0	1.38	44	46	48	50	39	40	44	50
WV050 (CG 39.85%)	42 000	46.9		22	24	25	26	20	20	22	25
A320NEO	73 900	47.0	1.38	44	46	48	50	39	40	44	50
WV051 (CG 39.87%)	42 000	46.9		22	24	25	26	20	20	22	25
A320NEO	73 900	47.0	1.38	44	46	48	50	39	40	44	50
WV051 (CG 39.85%)	42 000	46.9		22	24	25	26	20	20	22	25
A320NEO	77 400	46.5	1.44	46	49	51	53	41	42	47	52
WV052 (CG 37.41%)	42 000	46.5		22	24	25	26	20	20	22	25
A320NEO	77 400	46.5	1.44	46	49	51	53	41	42	47	52
WV052 (CG 37.4%)	42 000	46.5		22	24	25	26	20	20	22	25
A320NEO	77 400	46.5	1.44	46	49	51	53	41	42	47	52
WV053 (CG 37.41%)	42 000	46.5		22	24	25	26	20	20	22	25
A320NEO	77 400	46.5	1.44	46	49	51	53	41	42	47	52
WV053 (CG 37.4%)	42 000	46.5		22	24	25	26	20	20	22	25
A320NEO	79 400	46.3	1.44	47	50	52	54	41	43	48	54
WV054	42 000	46.3		22	24	25	26	20	20	22	25
A320NEO	79 400	46.3	1.44	47	50	52	54	41	43	48	54
WV055	42 000	46.3		22	24	25	26	20	20	22	25
A320NEO	70 400	47.0	1.28	40	43	45	47	36	37	42	47
WV056 (CG 40%)	42 000	46.9		22	23	25	26	20	20	22	25
A320NEO	70 400	46.9	1.28	40	43	45	47	36	37	41	47
WV056 (CG 39.46%)	42 000	46.8		22	23	25	26	20	20	22	25
A320NEO	70 400	47.0	1.28	40	43	45	47	36	37	42	47
WV057 (CG 40%)	42 000	46.9		22	23	25	26	20	20	22	25
A320NEO	70 400	46.9	1.28	40	43	45	47	36	37	41	47
WV057 (CG 39.46%)	42 000	46.8		22	23	25	26	20	20	22	25
A320NEO	75 900	46.7	1.38	45	47	50	52	40	41	46	52
WV068 (CG 38.44%)	42 000	46.7		22	24	25	26	20	20	22	25
A320NEO	75 900	46.7	1.38	45	47	50	52	40	41	46	52
WV068 (CG 38.42%)	42 000	46.7		22	24	25	26	20	20	22	25

N\_AC\_070900\_1\_0160101\_01\_06

ACN Table for A320NEO and ACJ320NEO  
 ACN Table for A320NEO (Sheet 1 of 3)  
 FIGURE-7-9-0-991-016-A01



AIRCRAFT CHARACTERISTICS - AIRPORT AND MAINTENANCE PLANNING

\*\*ON A/C A320neo

WEIGHT VARIANT	ALL UP MASS (kg)	LOAD ON ONE MAIN GEAR LEG (%)	TIRE PRESSURE (MPa)	ACN FOR RIGID PAVEMENT SUBGRADES - MN/m <sup>3</sup>				ACN FOR FLEXIBLE PAVEMENT SUBGRADES - CBR			
				HIGH 150	MEDIUM 80	LOW 40	ULTRA-LOW 20	HIGH 15	MEDIUM 10	LOW 6	ULTRA-LOW 3
A320NEO WV069 (CG 38.44%)	75 900	46.7	1.38	45	47	50	52	40	41	46	52
	42 000	46.7		22	24	25	26	20	20	22	25
A320NEO WV069 (CG 38.42%)	75 900	46.7	1.38	45	47	50	52	40	41	46	52
	42 000	46.7		22	24	25	26	20	20	22	25
A320NEO WV071 (CG 38.79%)	75 400	46.8	1.38	44	47	49	51	39	41	45	51
	42 000	46.7		22	24	25	26	20	20	22	25
A320NEO WV071 (CG 38.77%)	75 400	46.8	1.38	44	47	49	51	39	41	45	51
	42 000	46.7		22	24	25	26	20	20	22	25
A320NEO WV075 (CG 39.51%)	74 400	46.9	1.38	44	46	49	51	39	40	45	51
	42 000	46.9		22	24	25	26	20	20	22	25
A320NEO WV075 (CG 39.49%)	74 400	46.9	1.38	44	46	49	51	39	40	45	51
	42 000	46.9		22	24	25	26	20	20	22	25
A320NEO WV078 (CG 40%)	72 900	47.0	1.38	43	45	48	50	38	39	44	50
	42 000	46.9		22	24	25	26	20	20	22	26
A320NEO WV078 (CG 39.87%)	72 900	47.0	1.38	43	45	48	50	38	39	44	49
	42 000	46.9		22	24	25	26	20	20	22	25
A320NEO WV082 (CG 40%)	71 900	47.0	1.38	42	45	47	49	37	39	43	49
	42 000	46.9		22	24	25	26	20	20	22	26
A320NEO WV082 (CG 39.71%)	71 900	46.9	1.38	42	45	47	49	37	39	43	49
	42 000	46.9		22	24	25	26	20	20	22	25
A320NEO WV083 (CG 40%)	71 900	47.0	1.38	42	45	47	49	37	39	43	49
	42 000	46.9		22	24	25	26	20	20	22	26
A320NEO WV083 (CG 39.71%)	71 900	46.9	1.38	42	45	47	49	37	39	43	49
	42 000	46.9		22	24	25	26	20	20	22	25
A320NEO WV085 (CG 40%)	71 400	47.0	1.38	42	44	47	48	37	38	43	48
	42 000	46.9		22	24	25	26	20	20	22	26
A320NEO WV085 (CG 39.63%)	71 400	46.9	1.38	42	44	46	48	37	38	42	48
	42 000	46.9		22	24	25	26	20	20	22	25
A320NEO WV103	79 400	46.3	1.44	47	50	52	54	41	43	48	54
	42 000	46.3		22	24	25	26	20	20	22	25

N\_AC\_070900\_1\_0160104\_01\_01

ACN Table for A320NEO and ACJ320NEO  
 ACN Table for A320NEO (Sheet 2 of 3)  
 FIGURE-7-9-0-991-016-A01



AIRCRAFT CHARACTERISTICS - AIRPORT AND MAINTENANCE PLANNING

**\*\*ON A/C A320neo**

WEIGHT VARIANT	ALL UP MASS (kg)	LOAD ON ONE MAIN GEAR LEG (%)	TIRE PRESSURE (MPa)	ACN FOR RIGID PAVEMENT SUBGRADES - MN/m <sup>3</sup>				ACN FOR FLEXIBLE PAVEMENT SUBGRADES - CBR			
				High 150	Medium 80	Low 40	Ultra-low 20	High 15	Medium 10	Low 6	Ultra-low 3
ACJ320NEO WV055	79 400	46.3	1.44	47	50	52	54	41	43	48	54
	42 000	46.3		22	24	25	26	20	20	22	25
ACJ320NEO WV110	79 400	46.3	1.44	47	50	52	54	41	43	48	54
	42 000	46.3		22	24	25	26	20	20	22	25
ACJ320NEO WV111 (CG 36.75%)	78 400	46.4	1.44	47	49	52	54	41	43	47	53
	42 000	46.4		22	24	25	26	20	20	22	25
ACJ320NEO WV111 (CG 36.74%)	78 400	46.4	1.44	47	49	52	54	41	43	47	53
	42 000	46.4		22	24	25	26	20	20	22	25
ACJ320NEO WV112 (CG 37.41%)	77 400	46.5	1.44	46	49	51	53	41	42	47	52
	42 000	46.5		22	24	25	26	20	20	22	25
ACJ320NEO WV112 (CG 37.4%)	77 400	46.5	1.44	46	49	51	53	41	42	47	52
	42 000	46.5		22	24	25	26	20	20	22	25

N\_AC\_070900\_1\_0160105\_01\_01

ACN Table for A320NEO and ACJ320NEO  
 ACN Table for ACJ320NEO (Sheet 3 of 3)  
 FIGURE-7-9-0-991-016-A01

**7-10-0 ACR/PCR Reporting System - Flexible And Rigid Pavements****\*\*ON A/C A320-200 A320neo**ACR/PCR Reporting System - Flexible and Rigid Pavements

1. The ACR/PCR system has been developed by the ICAO to overcome the deficiencies of the ACN/PCN system. Significant advances in pavement design methods had occurred since its development in the late 1970s early 1980s, leading to inconsistencies with the pavement-strength-rating system.

The ACR/PCR system entails new procedures for the determination of both the ACR and the PCR that are consistent with the current pavement design procedures. This allows to capture the effects of the improved characteristics of new pavement materials as well as modern landing gear configurations, thus leading to an improved accuracy.

This section gives data about the Aircraft Classification Rating (ACR) for the maximum ramp weight in relation with standard subgrade strength values for flexible and rigid pavement. To determine the ACR at other aircraft gross weight, use the official ICAO-ACR software.

NOTE : An aircraft with an ACR equal to or less than the reported PCR can operate on that pavement, subject to any limitation on the tire pressure. (Ref: ICAO Aerodrome Design Manual, Part 3, Third Edition 2020).

2. Aircraft Classification Rating - ACR Table

The tables in FIGURE 7-10-0-991-007-A, FIGURE 7-10-0-991-009-A and FIGURE 7-10-0-991-010-A give ACR data in tabular format for all the operational weight variants of the aircraft. For questions or specific calculation related to ACR/PCR Reporting System, contact Airbus.

**\*\*ON A/C A320-200**

WEIGHT VARIANT	ALL UP MASS (kg)	LOAD ON ONE MAIN GEAR LEG (%)	TIRE PRESSURE (MPa)	ACR FOR RIGID PAVEMENT SUBGRADES - MPa			ACR FOR FLEXIBLE PAVEMENT SUBGRADES - MPa		
				HIGH	MEDIUM	LOW	HIGH	MEDIUM	LOW
A320-200 WV000	73 900	47.0	1.38	200	470	490	200	370	400
A320-200 WV000	73 900	47.0	1.18	430	460	470	330	360	390
A320-200 WV000	73 900	47.0	1.14	430	450	470	320	360	390
A320-200 WV000	73 900	47.0	1.03	410	440	460	310	350	390
A320-200 WV001	68 400	47.5	1.28	410	430	440	310	340	370
A320-200 WV001	68 400	47.5	1.09	390	410	430	300	330	360
A320-200 WV001	68 400	47.5	1.06	380	410	430	290	320	360
A320-200 WV001	68 400	47.5	0.96	370	400	420	280	320	350
A320-200 WV002 (CG 42%)	70 400	47.3	1.28	420	440	460	320	350	380
A320-200 WV002 (CG 42%)	70 400	47.3	1.09	400	430	440	310	340	370
A320-200 WV002 (CG 42%)	70 400	47.3	1.06	400	420	440	300	330	370
A320-200 WV002 (CG 42%)	70 400	47.3	0.96	380	410	430	290	330	360
A320-200 WV002 (CG 41%)	70 400	47.2	1.28	420	440	460	320	350	380
A320-200 WV002 (CG 41%)	70 400	47.2	1.09	400	420	440	300	330	370
A320-200 WV002 (CG 41%)	70 400	47.2	1.06	390	420	440	300	330	370
A320-200 WV002 (CG 41%)	70 400	47.2	0.96	380	410	430	290	320	360

N\_AC\_071000\_1\_0070101\_01\_00

ACR Table  
(Sheet 1 of 9)  
FIGURE-7-10-0-991-007-A01

**\*\*ON A/C A320-200**

WEIGHT VARIANT	ALL UP MASS (kg)	LOAD ON ONE MAIN GEAR LEG (%)	TIRE PRESSURE (MPa)	ACR FOR RIGID PAVEMENT SUBGRADES - MPa			ACR FOR FLEXIBLE PAVEMENT SUBGRADES - MPa			
				HIGH 200	MEDIUM 120	LOW 80	HIGH 200	MEDIUM 120	LOW 80	
A320-200 WV003 (CG 38.7%)	75 900	46.8	1.38	460	480	500	350	380	410	460
A320-200 WV003 (CG 38.7%)	75 900	46.8	1.18	440	470	490	340	370	400	450
A320-200 WV003 (CG 38.7%)	75 900	46.8	1.14	440	460	480	330	360	400	450
A320-200 WV003 (CG 38.7%)	75 900	46.8	1.03	420	450	470	320	360	400	450
A320-200 WV003 (CG 38.5%)	75 900	46.7	1.38	460	480	500	350	380	410	460
A320-200 WV003 (CG 38.5%)	75 900	46.7	1.18	440	470	480	340	370	400	450
A320-200 WV003 (CG 38.5%)	75 900	46.7	1.14	440	460	480	330	360	400	450
A320-200 WV003 (CG 38.5%)	75 900	46.7	1.03	420	450	470	320	360	400	450
A320-200 WV004	71 900	47.3	1.38	440	460	470	340	360	390	430
A320-200 WV004	71 900	47.3	1.18	420	440	460	320	350	380	430
A320-200 WV004	71 900	47.3	1.14	410	440	460	320	350	380	430
A320-200 WV004	71 900	47.3	1.03	400	430	450	300	340	380	420
A320-200 WV005 (CG 43%)	67 400	47.5	1.28	400	420	440	310	330	360	400
A320-200 WV005 (CG 43%)	67 400	47.5	1.09	380	410	420	290	320	350	400
A320-200 WV005 (CG 43%)	67 400	47.5	1.06	380	400	420	290	320	350	390
A320-200 WV005 (CG 43%)	67 400	47.5	0.96	360	390	410	280	310	350	390

N\_AC\_071000\_1\_0070102\_01\_00

ACR Table  
(Sheet 2 of 9)  
FIGURE-7-10-0-991-007-A01

**\*\*ON A/C A320-200**

WEIGHT VARIANT	ALL UP MASS (kg)	LOAD ON ONE MAIN GEAR LEG (%)	TIRE PRESSURE (MPa)	ACR FOR RIGID PAVEMENT SUBGRADES - MPa			ACR FOR FLEXIBLE PAVEMENT SUBGRADES - MPa				
				HIGH 200	MEDIUM 120	LOW 80	HIGH 200	MEDIUM 120	LOW 80	ULTRA-LOW 50	
A320-200 WV005 (CG 42%)	67 400	47.3	1.28	400	420	430	450	310	330	360	400
A320-200 WV005 (CG 42%)	67 400	47.3	1.09	380	400	420	440	290	320	350	390
A320-200 WV005 (CG 42%)	67 400	47.3	1.06	370	400	420	440	290	320	350	390
A320-200 WV005 (CG 42%)	67 400	47.3	0.96	360	390	410	430	280	310	340	390
A320-200 WV006	66 400	47.5	1.23	390	410	430	440	300	320	350	390
A320-200 WV006	66 400	47.5	1.02	360	390	410	430	280	310	340	390
A320-200 WV006	66 400	47.5	0.92	350	380	400	420	270	300	340	380
A320-200 WV007 (CG 37.5%)	77 400	46.6	1.44	470	500	510	530	360	390	420	470
A320-200 WV007 (CG 37.5%)	77 400	46.6	1.23	450	480	500	520	350	380	410	460
A320-200 WV007 (CG 37.5%)	77 400	46.6	1.20	450	480	500	510	340	380	410	460
A320-200 WV007 (CG 37.5%)	77 400	46.6	1.07	440	460	480	500	330	370	410	460
A320-200 WV007 (CG 33%)	77 400	45.8	1.44	460	490	500	520	360	380	410	460
A320-200 WV007 (CG 33%)	77 400	45.8	1.23	450	470	490	510	340	370	410	450
A320-200 WV007 (CG 33%)	77 400	45.8	1.20	440	470	490	500	340	370	400	450
A320-200 WV007 (CG 33%)	77 400	45.8	1.07	430	460	480	490	320	360	400	450
A320-200 WV008	73 900	47.0	1.38	450	470	490	500	350	370	400	450

N\_AC\_071000\_1\_0070103\_01\_00

ACR Table  
(Sheet 3 of 9)  
FIGURE-7-10-0-991-007-A01

**\*\*ON A/C A320-200**

WEIGHT VARIANT	ALL UP MASS (kg)	LOAD ON ONE MAIN GEAR LEG (%)	TIRE PRESSURE (MPa)	ACR FOR RIGID PAVEMENT SUBGRADES - MPa			ACR FOR FLEXIBLE PAVEMENT SUBGRADES - MPa				
				HIGH 200	MEDIUM 120	LOW 80	HIGH 200	MEDIUM 120	LOW 80	ULTRA-LOW 50	
A320-200 WV008	73 900	47.0	1.18	430	460	470	490	330	360	390	440
A320-200 WV008	73 900	47.0	1.14	430	450	470	490	320	360	390	440
A320-200 WV008	73 900	47.0	1.03	410	440	460	480	310	350	390	440
A320-200 WV009 (CG 38.7%)	75 900	46.8	1.38	460	480	500	520	350	380	410	460
A320-200 WV009 (CG 38.7%)	75 900	46.8	1.18	440	470	490	500	340	370	400	450
A320-200 WV009 (CG 38.7%)	75 900	46.8	1.14	440	460	480	500	330	360	400	450
A320-200 WV009 (CG 38.7%)	75 900	46.8	1.03	420	450	470	490	320	360	400	450
A320-200 WV009 (CG 38.5%)	75 900	46.7	1.38	460	480	500	520	350	380	410	460
A320-200 WV009 (CG 38.5%)	75 900	46.7	1.14	440	460	480	500	330	360	400	450
A320-200 WV009 (CG 38.5%)	75 900	46.7	1.18	440	470	480	500	340	370	400	450
A320-200 WV009 (CG 38.5%)	75 900	46.7	1.03	420	450	470	490	320	360	400	450
A320-200 WV010 (CG 37.5%)	77 400	46.6	1.44	470	500	510	530	360	390	420	470
A320-200 WV010 (CG 37.5%)	77 400	46.6	1.23	450	480	500	520	350	380	410	460
A320-200 WV010 (CG 37.5%)	77 400	46.6	1.20	450	480	500	510	340	380	410	460
A320-200 WV010 (CG 37.5%)	77 400	46.6	1.07	440	460	480	500	330	370	410	460
A320-200 WV010 (CG 33%)	77 400	45.8	1.44	460	490	500	520	360	380	410	460

N\_AC\_071000\_1\_0070104\_01\_00

ACR Table  
(Sheet 4 of 9)  
FIGURE-7-10-0-991-007-A01



**\*\*ON A/C A320-200**

WEIGHT VARIANT	ALL UP MASS (kg)	LOAD ON ONE MAIN GEAR LEG (%)	TIRE PRESSURE (MPa)	ACR FOR RIGID PAVEMENT SUBGRADES - MPa			ACR FOR FLEXIBLE PAVEMENT SUBGRADES - MPa			
				HIGH 200	MEDIUM 120	LOW 80	HIGH 200	MEDIUM 120	LOW 80	ULTRA-LOW 50
A320-200 WV010 (CG 33%)	77 400	45.8	1.23	450	470	490	340	370	410	450
A320-200 WV010 (CG 33%)	77 400	45.8	1.20	440	470	490	340	370	400	450
A320-200 WV010 (CG 33%)	77 400	45.8	1.07	430	460	480	320	360	400	450
A320-200 WV011 (CG 38.7%)	75 900	46.8	1.38	460	480	500	350	380	410	460
A320-200 WV011 (CG 38.7%)	75 900	46.8	1.18	440	470	490	340	370	400	450
A320-200 WV011 (CG 38.7%)	75 900	46.8	1.14	440	460	480	330	360	400	450
A320-200 WV011 (CG 38.7%)	75 900	46.8	1.03	420	450	470	320	360	400	450
A320-200 WV011 (CG 38.5%)	75 900	46.7	1.38	460	480	500	350	380	410	460
A320-200 WV011 (CG 38.5%)	75 900	46.7	1.18	440	470	480	340	370	400	450
A320-200 WV011 (CG 38.5%)	75 900	46.7	1.14	440	460	480	330	360	400	450
A320-200 WV011 (CG 38.5%)	75 900	46.7	1.03	420	450	470	320	360	400	450
A320-200 WV012	77 400	46.6	1.44	470	500	510	360	390	420	470
A320-200 WV012	77 400	46.6	1.23	450	480	500	350	380	410	460
A320-200 WV012	77 400	46.6	1.20	450	480	500	340	380	410	460
A320-200 WV012	77 400	46.6	1.07	440	460	480	330	370	410	460
A320-200 WV013 (CG 41.42%)	71 900	47.2	1.38	440	460	470	340	360	390	430

N\_AC\_071000\_1\_0070105\_01\_00

ACR Table  
(Sheet 5 of 9)  
FIGURE-7-10-0-991-007-A01

**\*\*ON A/C A320-200**

WEIGHT VARIANT	ALL UP MASS (kg)	LOAD ON ONE MAIN GEAR LEG (%)	TIRE PRESSURE (MPa)	ACR FOR RIGID PAVEMENT SUBGRADES - MPa			ACR FOR FLEXIBLE PAVEMENT SUBGRADES - MPa				
				HIGH 200	MEDIUM 120	LOW 80	HIGH 200	MEDIUM 120	LOW 80	ULTRA-LOW 50	
A320-200 WV013 (CG 41.42%)	71 900	47.2	1.18	420	440	460	480	320	350	380	430
A320-200 WV013 (CG 41.42%)	71 900	47.2	1.14	410	440	460	480	320	350	380	430
A320-200 WV013 (CG 41.42%)	71 900	47.2	1.03	400	430	450	470	300	340	380	420
A320-200 WV013 (CG 41%)	71 900	47.2	1.38	440	460	470	490	340	360	390	430
A320-200 WV013 (CG 41%)	71 900	47.2	1.18	420	440	460	480	320	350	380	430
A320-200 WV013 (CG 41%)	71 900	47.2	1.14	410	440	460	480	320	350	380	430
A320-200 WV013 (CG 41%)	71 900	47.2	1.03	400	430	450	470	300	340	380	420
A320-200 WV014	73 900	47.0	1.38	450	470	490	500	350	370	400	450
A320-200 WV014	73 900	47.0	1.18	430	460	470	490	330	360	390	440
A320-200 WV014	73 900	47.0	1.14	430	450	470	490	320	360	390	440
A320-200 WV014	73 900	47.0	1.03	410	440	460	480	310	350	390	440
A320-200 WV015	78 400	46.4	1.44	480	500	520	530	370	390	430	470
A320-200 WV016	73 900	47.0	1.38	450	470	490	500	350	370	400	450
A320-200 WV016	73 900	47.0	1.18	430	460	470	490	330	360	390	440
A320-200 WV016	73 900	47.0	1.14	430	450	470	490	320	360	390	440
A320-200 WV016	73 900	47.0	1.03	410	440	460	480	310	350	390	440

N\_AC\_071000\_1\_0070106\_01\_00

ACR Table  
(Sheet 6 of 9)  
FIGURE-7-10-0-991-007-A01

**\*\*ON A/C A320-200**

WEIGHT VARIANT	ALL UP MASS (kg)	LOAD ON ONE MAIN GEAR LEG (%)	TIRE PRESSURE (MPa)	ACR FOR RIGID PAVEMENT SUBGRADES - MPa			ACR FOR FLEXIBLE PAVEMENT SUBGRADES - MPa				
				HIGH 200	MEDIUM 120	LOW 80	HIGH 200	MEDIUM 120	LOW 80	ULTRA-LOW 50	
A320-200 WV017	78 400	46.4	1.44	480	500	520	480	370	390	430	470
A320-200 WV018 (CG 41.47%)	71 900	47.2	1.03	400	430	450	400	300	340	380	420
A320-200 WV018 (CG 41.47%)	71 900	47.2	1.38	440	460	470	440	340	360	390	430
A320-200 WV018 (CG 41.47%)	71 900	47.2	1.18	420	440	460	420	320	350	380	430
A320-200 WV018 (CG 41.47%)	71 900	47.2	1.14	410	440	460	410	320	350	380	430
A320-200 WV018 (CG 41.46%)	71 900	47.2	1.03	400	430	450	400	300	340	380	420
A320-200 WV018 (CG 41.46%)	71 900	47.2	1.38	440	460	470	440	340	360	390	430
A320-200 WV018 (CG 41.46%)	71 900	47.2	1.18	420	440	460	420	320	350	380	430
A320-200 WV018 (CG 41.46%)	71 900	47.2	1.14	410	440	460	410	320	350	380	430
A320-200 WV018 (CG 41.4%)	71 900	47.2	1.03	400	430	450	400	300	340	380	420
A320-200 WV018 (CG 41.4%)	71 900	47.2	1.38	440	460	470	440	340	360	390	430
A320-200 WV018 (CG 41.4%)	71 900	47.2	1.18	420	440	460	420	320	350	380	430
A320-200 WV018 (CG 41.4%)	71 900	47.2	1.14	410	440	460	410	320	350	380	430
A320-200 WV018 (CG 41%)	71 900	47.2	1.38	440	460	470	440	340	360	390	430
A320-200 WV018 (CG 41%)	71 900	47.2	1.18	420	440	460	420	320	350	380	430
A320-200 WV018 (CG 41%)	71 900	47.2	1.14	410	440	460	410	320	350	380	430

N\_AC\_071000\_1\_0070107\_01\_00

ACR Table  
(Sheet 7 of 9)  
FIGURE-7-10-0-991-007-A01

**\*\*ON A/C A320-200**

WEIGHT VARIANT	ALL UP MASS (kg)	LOAD ON ONE MAIN GEAR LEG (%)	TIRE PRESSURE (MPa)	ACR FOR RIGID PAVEMENT SUBGRADES - MPa			ACR FOR FLEXIBLE PAVEMENT SUBGRADES - MPa				
				HIGH 200	MEDIUM 120	LOW 80	HIGH 200	MEDIUM 120	LOW 80	ULTRA-LOW 50	
A320-200 WV018 (CG 41%)	71 900	47.2	1.03	400	430	450	470	300	340	380	420
A320-200 WV019 (CG 42.61%)	70 400	47.4	0.96	380	410	430	450	290	330	360	410
A320-200 WV019 (CG 42.61%)	70 400	47.4	1.28	420	440	460	480	320	350	380	420
A320-200 WV019 (CG 42.61%)	70 400	47.4	1.09	400	430	440	460	310	340	370	420
A320-200 WV019 (CG 42.61%)	70 400	47.4	1.06	400	420	440	460	300	340	370	420
A320-200 WV019 (CG 42%)	70 400	47.3	1.06	400	420	440	460	300	330	370	420
A320-200 WV019 (CG 42%)	70 400	47.3	1.28	420	440	460	470	320	350	380	420
A320-200 WV019 (CG 42%)	70 400	47.3	1.09	400	430	440	460	310	340	370	420
A320-200 WV019 (CG 42%)	70 400	47.3	0.96	380	410	430	450	290	330	360	410
A320-200 WV019 (CG 41%)	70 400	47.2	1.06	390	420	440	460	300	330	370	410
A320-200 WV019 (CG 41%)	70 400	47.2	1.28	420	440	460	470	320	350	380	420
A320-200 WV019 (CG 41%)	70 400	47.2	1.09	400	420	440	460	300	330	370	410
A320-200 WV019 (CG 41%)	70 400	47.2	0.96	380	410	430	450	290	320	360	410
A320-200 WV019 (CG 40%)	70 400	47.0	1.28	410	440	450	470	320	340	370	420
A320-200 WV019 (CG 40%)	70 400	47.0	1.09	400	420	440	460	300	330	370	410
A320-200 WV019 (CG 40%)	70 400	47.0	1.06	390	420	440	460	300	330	370	410

N\_AC\_071000\_1\_0070108\_01\_00

ACR Table  
(Sheet 8 of 9)  
FIGURE-7-10-0-991-007-A01

**\*\*ON A/C A320-200**

WEIGHT VARIANT	ALL UP MASS (kg)	LOAD ON ONE MAIN GEAR LEG (%)	TIRE PRESSURE (MPa)	ACR FOR RIGID PAVEMENT SUBGRADES - MPa				ACR FOR FLEXIBLE PAVEMENT SUBGRADES - MPa											
				HIGH	MEDIUM	LOW	ULTRA-LOW	HIGH	MEDIUM	LOW	ULTRA-LOW								
A320-200 WV019 (CG 40%)	70 400	47.0	0.96	200	120	80	50	200	120	80	50	380	410	430	450	290	320	360	410

N\_AC\_071000\_1\_0070109\_01\_00

ACR Table  
(Sheet 9 of 9)  
FIGURE-7-10-0-991-007-A01

**\*\*ON A/C A320neo**

WEIGHT VARIANT	ALL UP MASS (kg)	LOAD ON ONE MAIN GEAR LEG (%)	TIRE PRESSURE (MPa)	ACR FOR RIGID PAVEMENT SUBGRADES - MPa				ACR FOR FLEXIBLE PAVEMENT SUBGRADES - MPa			
				HIGH 200	MEDIUM 120	LOW 80	ULTRA-LOW 50	HIGH 200	MEDIUM 120	LOW 80	ULTRA-LOW 50
A320NEO WV050 (CG 38.87%)	73 900	47.0	1.38	450	470	490	500	350	370	400	440
A320NEO WV050 (CG 39.85%)	73 900	47.0	1.38	450	470	490	500	350	370	400	440
A320NEO WV051 (CG 39.87%)	73 900	47.0	1.38	450	470	490	500	350	370	400	440
A320NEO WV051 (CG 39.85%)	73 900	47.0	1.38	450	470	490	500	350	370	400	440
A320NEO WV052 (CG 37.41%)	77 400	46.5	1.44	470	500	510	530	360	390	420	470
A320NEO WV052 (CG 37.4%)	77 400	46.5	1.44	470	500	510	530	360	390	420	470
A320NEO WV053 (CG 37.41%)	77 400	46.5	1.44	470	500	510	530	360	390	420	470
A320NEO WV053 (CG 37.4%)	77 400	46.5	1.44	470	500	510	530	360	390	420	470
A320NEO WV054	79 400	46.3	1.44	490	510	520	540	370	400	430	480
A320NEO WV055	79 400	46.3	1.44	490	510	520	540	370	400	430	480
A320NEO WV056 (CG 39.46%)	70 400	46.9	1.28	410	440	450	470	320	340	370	420
A320NEO WV056 (CG 40%)	70 400	47.0	1.28	410	440	450	470	320	340	370	420
A320NEO WV057 (CG 40%)	70 400	47.0	1.28	410	440	450	470	320	340	370	420
A320NEO WV057 (CG 39.46%)	70 400	46.9	1.28	410	440	450	470	320	340	370	420
A320NEO WV068 (CG 38.44%)	75 900	46.7	1.38	460	480	500	510	350	380	410	460
A320NEO WV068 (CG 38.42%)	75 900	46.7	1.38	460	480	500	510	350	380	410	460

N\_AC\_071000\_1\_0090101\_01\_00

ACR Table  
(Sheet 1 of 2)  
FIGURE-7-10-0-991-009-A01



AIRCRAFT CHARACTERISTICS - AIRPORT AND MAINTENANCE PLANNING

**\*\*ON A/C A320neo**

WEIGHT VARIANT	ALL UP MASS (kg)	LOAD ON ONE MAIN GEAR LEG (%)	TIRE PRESSURE (MPa)	ACR FOR RIGID PAVEMENT SUBGRADES - MPa				ACR FOR FLEXIBLE PAVEMENT SUBGRADES - MPa			
				HIGH 200	MEDIUM 120	LOW 80	ULTRA-LOW 50	HIGH 200	MEDIUM 120	LOW 80	ULTRA-LOW 50
A320NEO WV069(CG 38.44%)	75 900	46.7	1.38	460	480	500	510	350	380	410	460
A320NEO WV069(CG 38.42%)	75 900	46.7	1.38	460	480	500	510	350	380	410	460
A320NEO WV071(CG 38.79%)	75 400	46.8	1.38	460	480	500	510	350	380	410	450
A320NEO WV071(CG 38.77%)	75 400	46.8	1.38	460	480	500	510	350	380	410	450
A320NEO WV075 (CG 39.51%)	74 400	46.9	1.38	450	470	490	510	350	370	400	450
A320NEO WV075 (CG 39.49%)	74 400	46.9	1.38	450	470	490	510	350	370	400	450
A320NEO WV078 (CG 40%)	72 900	47.0	1.38	440	460	480	490	340	360	390	440
A320NEO WV078 (CG 39.87%)	72 900	47.0	1.38	440	460	480	490	340	360	390	440
A320NEO WV082 (CG 40%)	71 900	47.0	1.38	430	460	470	490	340	360	390	430
A320NEO WV082 (CG 39.71%)	71 900	46.9	1.38	430	450	470	490	340	360	390	430
A320NEO WV083 (CG 40%)	71 900	47.0	1.38	430	460	470	490	340	360	390	430
A320NEO WV083 (CG 39.71%)	71 900	46.9	1.38	430	450	470	490	340	360	390	430
A320NEO WV085 (CG 40%)	71 400	47.0	1.38	430	450	470	480	330	350	380	430
A320NEO WV085 (CG 39.63%)	71 400	46.9	1.38	430	450	470	480	330	350	380	430
A320NEO WV103	79 400	46.3	1.44	490	510	520	540	370	400	430	480

N\_AC\_071000\_1\_0090102\_01\_01

ACR Table  
(Sheet 2 of 2)  
FIGURE-7-10-0-991-009-A01



AIRCRAFT CHARACTERISTICS - AIRPORT AND MAINTENANCE PLANNING

**\*\*ON A/C A320neo**

WEIGHT VARIANT	ALL UP MASS (kg)	LOAD ON ONE MAIN GEAR LEG (%)	TIRE PRESSURE (MPa)	ACR FOR RIGID PAVEMENT SUBGRADES - MPa				ACR FOR FLEXIBLE PAVEMENT SUBGRADES - MPa			
				HIGH 200	MEDIUM 120	LOW 80	ULTRA-LOW 50	HIGH 200	MEDIUM 120	LOW 80	ULTRA-LOW 50
ACJ320NEO WV055	79 400	46.3	1.44	490	510	520	540	370	400	430	480
ACJ320NEO WV110	79 400	46.3	1.44	490	510	520	540	370	400	430	480
ACJ320NEO WV111 (CG 36.75%)	78 400	46.4	1.44	480	500	520	530	370	390	430	470
ACJ320NEO WV111 (CG 36.74%)	78 400	46.4	1.44	480	500	520	530	370	390	430	470
ACJ320NEO WV112 (CG 37.41%)	77 400	46.5	1.44	470	500	510	530	360	390	420	470
ACJ320NEO WV112 (CG 37.4%)	77 400	46.5	1.44	470	500	510	530	360	390	420	470

N\_AC\_071000\_1\_0100101\_01\_01

ACR Table for ACJ320NEO  
FIGURE-7-10-0-991-010-A01





**SCALED DRAWINGS**

**8-0-0 SCALED DRAWINGS**

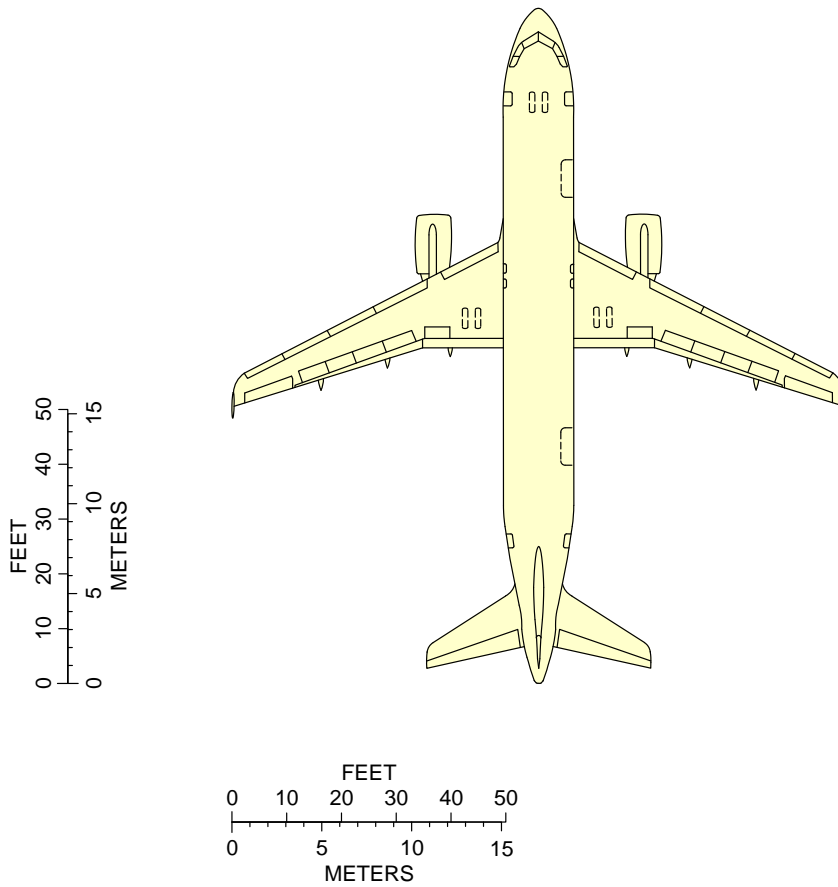
**\*\*ON A/C A320-200 A320neo**

Scaled Drawings

1. This section provides the scaled drawings.

NOTE : When printing this drawing, make sure to adjust for proper scaling.

**\*\*ON A/C A320-200**

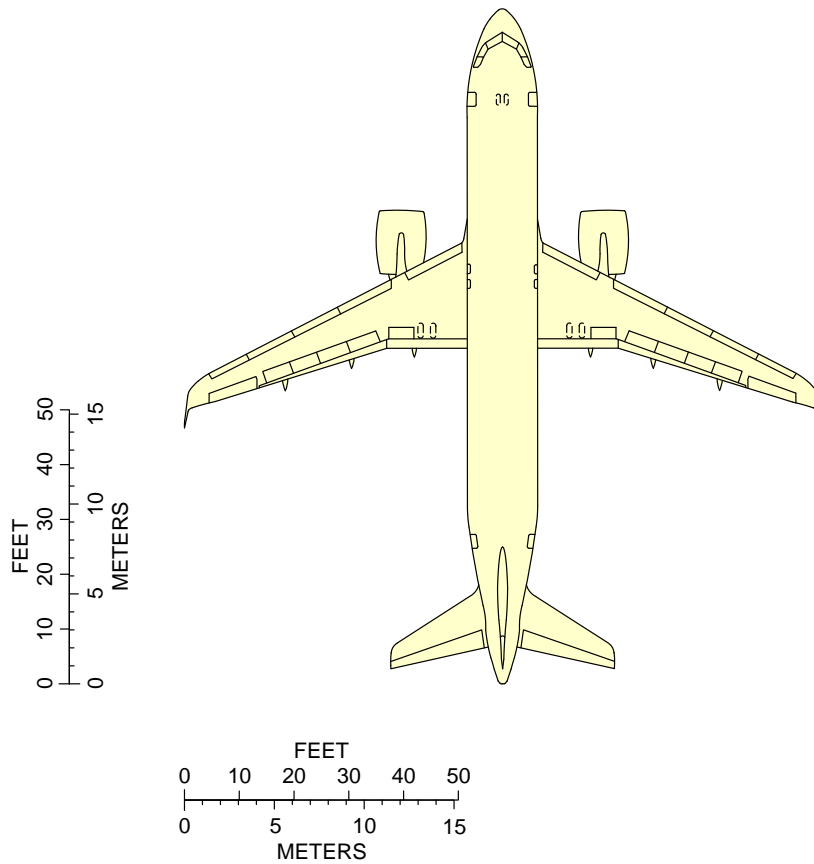


**NOTE:** WHEN PRINTING THIS DRAWING, MAKE SURE TO ADJUST FOR PROPER SCALING.

N\_AC\_080000\_1\_0030101\_01\_00

Scaled Drawing  
FIGURE-8-0-0-991-003-A01

**\*\*ON A/C A320neo**



**NOTE:**

WHEN PRINTING THIS DRAWING, MAKE SURE TO ADJUST FOR PROPER SCALING.

N\_AC\_080000\_1\_0060101\_01\_00

Scaled Drawing  
FIGURE-8-0-0-991-006-A01



**AIRCRAFT RESCUE AND FIRE FIGHTING**

**10-0-0 AIRCRAFT RESCUE AND FIRE FIGHTING**

**\*\*ON A/C A320-200 A320neo**

Aircraft Rescue and Fire Fighting

1. Aircraft Rescue and Fire Fighting Charts

This sections provides data related to aircraft rescue and fire fighting.

The figures contained in this section are the figures that are in the Aircraft Rescue and Fire Fighting Charts poster available for download on AIRBUSWorld and the Airbus website.

**\*\*ON A/C A320-200 A320neo**

**AIRBUS**  
**A320/A320neo**

**Aircraft Rescue and Fire Fighting Chart**  
**ARFC**

**NOTE:**  
THIS CHART GIVES THE GENERAL LAYOUT OF THE A320 STANDARD VERSION.  
THE NUMBER AND ARRANGEMENT OF THE INDIVIDUAL ITEMS VARY WITH THE CUSTOMERS.  
FIGURES CONTAINED IN THIS POSTER ARE AVAILABLE SEPARATELY IN THE CHAPTER 10 OF THE  
"AIRCRAFT CHARACTERISTICS - AIRPORT AND MAINTENANCE PLANNING" DOCUMENT.

ISSUED BY:  
AIRBUS S.A.S  
CUSTOMER SERVICES  
TECHNICAL DATA SUPPORT AND SERVICES  
31707 BLAGNAC CEDEX  
FRANCE

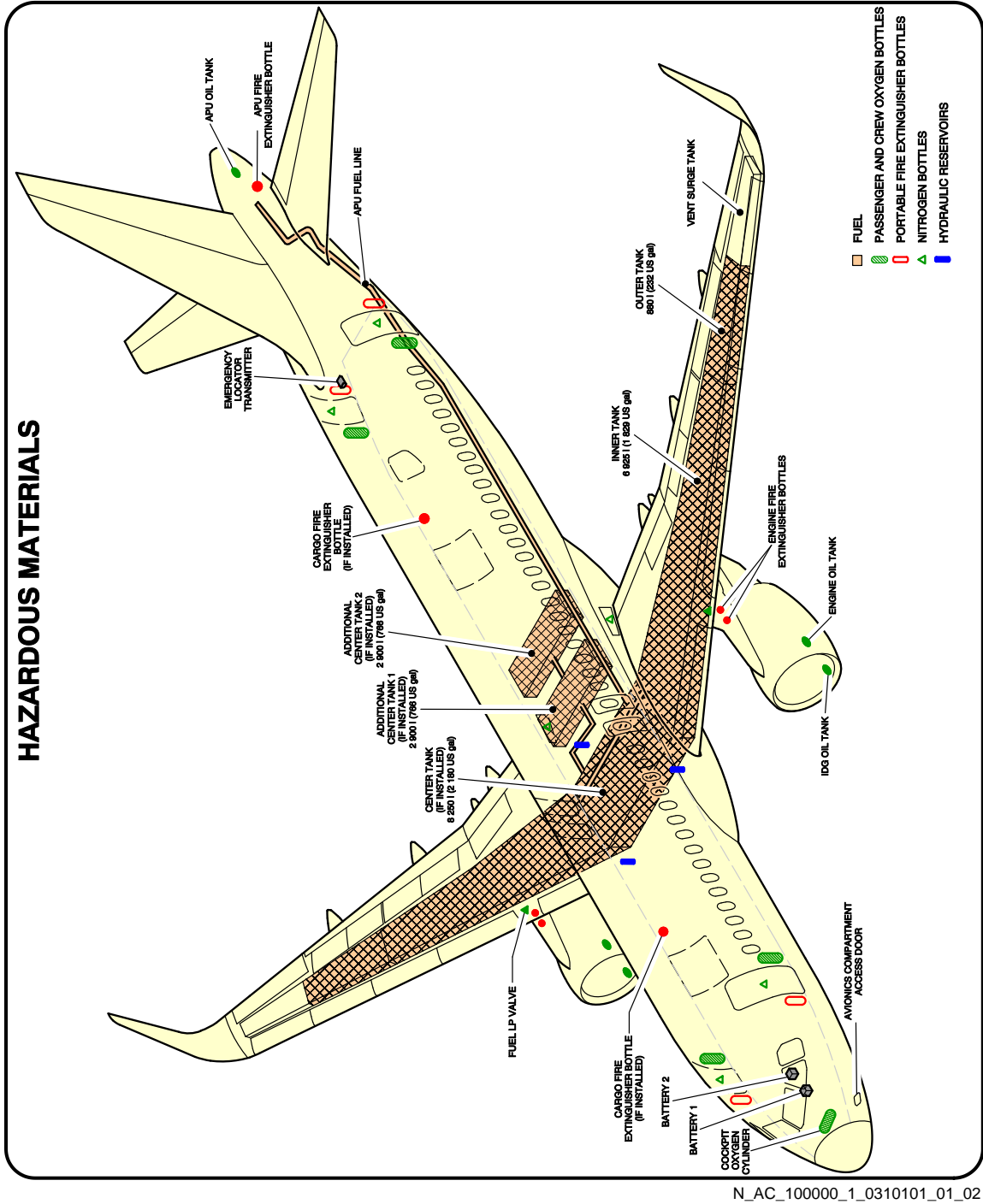
REVISION DATE: NOV 2019  
REFERENCE : N\_RF\_000000\_1\_A320000  
SHEET 1/2

© AIRBUS S.A.S. 2018 . All rights reserved.

N\_AC\_100000\_1\_0300101\_01\_04

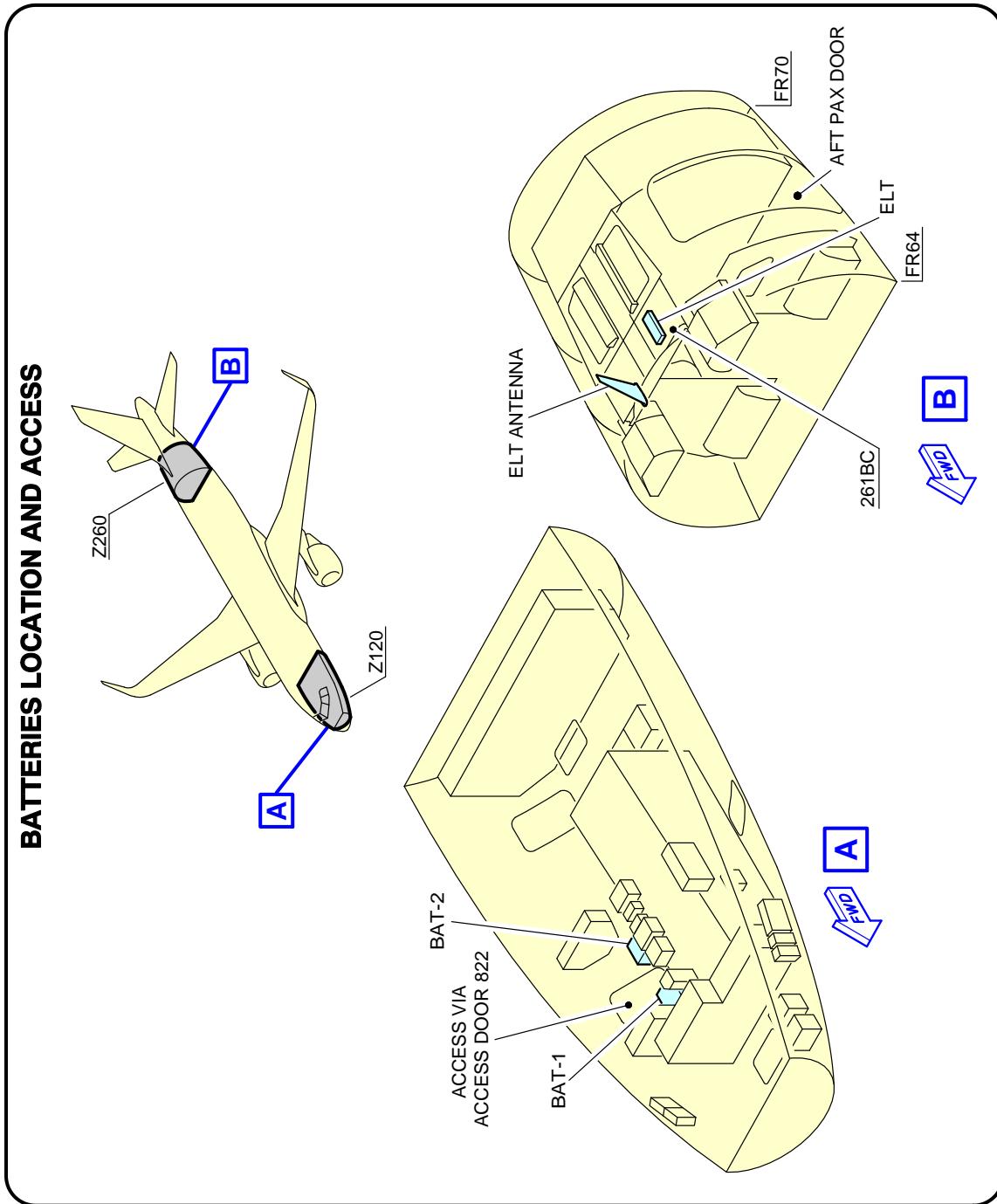
Front Page  
FIGURE-10-0-0-991-030-A01

**\*\*ON A/C A320-200 A320neo**



Highly Flammable and Hazardous Materials and Components  
FIGURE-10-0-0-991-031-A01

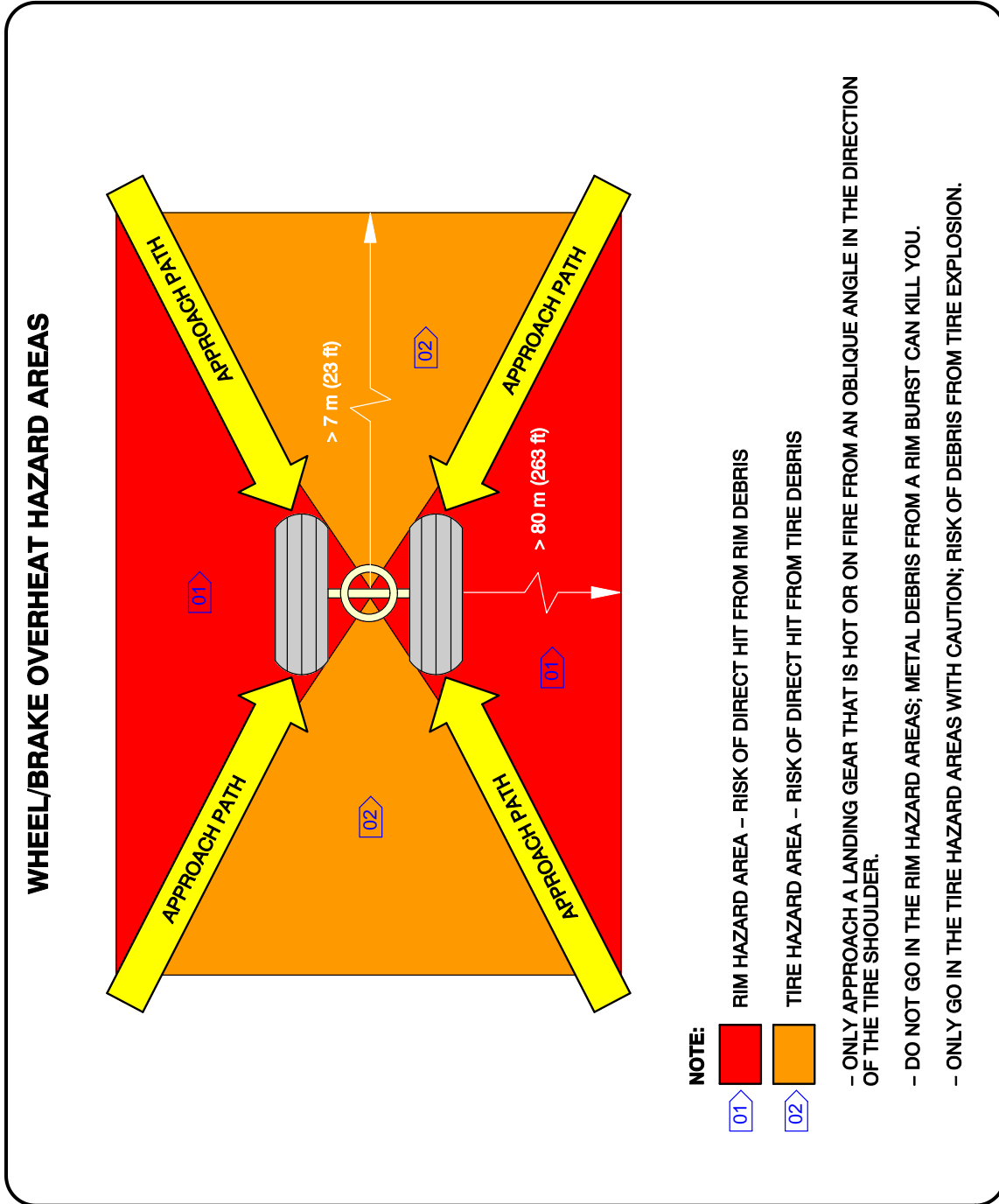
**\*\*ON A/C A320-200 A320neo**



N\_AC\_100000\_1\_0570101\_01\_02

Batteries Location and Access  
FIGURE-10-0-0-991-057-A01

**\*\*ON A/C A320-200 A320neo**



N\_AC\_100000\_1\_0320101\_01\_02

Wheel/Brake Overheat  
 Wheel Safety Area (Sheet 1 of 2)  
 FIGURE-10-0-0-991-032-A01



**\*\*ON A/C A320-200 A320neo**

**BRAKE OVERHEAT AND LANDING GEAR FIRE**

**WARNING:** BE VERY CAREFUL WHEN THERE IS A BRAKE OVERHEAT AND/OR LANDING GEAR FIRE. THERE IS A RISK OF TIRE EXPLOSION AND/OR WHEEL RIM BURST THAT CAN CAUSE DEATH OR INJURY. MAKE SURE THAT YOU OBEY THE SAFETY PRECAUTIONS THAT FOLLOW.

THE PROCEDURES THAT FOLLOW GIVE RECOMMENDATIONS AND SAFETY PRECAUTIONS FOR THE COOLING OF VERY HOT BRAKES AFTER ABNORMAL OPERATIONS SUCH AS A REJECTED TAKE-OFF OR OVERWEIGHT LANDING. FOR THE COOLING OF BRAKES AFTER NORMAL TAXI-IN, REFER TO YOUR COMPANY PROCEDURES.

**BRAKE OVERHEAT:**

1 - GET THE BRAKE TEMPERATURE FROM THE COCKPIT OR USE A REMOTE MEASUREMENT TECHNIQUE. THE REAL TEMPERATURE OF THE BRAKES CAN BE MUCH HIGHER THAN THE TEMPERATURE SHOWN ON THE ECAM.  
**NOTE:** AT HIGH TEMPERATURES (>800°C), THERE IS A RISK OF WARPING OF THE LANDING GEAR STRUTS AND AXLES.

2 - APPROACH THE LANDING GEAR WITH EXTREME CAUTION AND FROM AN OBLIQUE ANGLE IN THE DIRECTION OF THE TIRE SHOULDER. DO NOT GO INTO THE RIM HAZARD AREA AND ONLY GO IN THE TIRE HAZARD AREA WITH CAUTION. (REF FIG. WHEEL/BRAKE OVERHEAT HAZARD AREAS). IF POSSIBLE, STAY IN A VEHICLE.

3 - LOOK AT THE CONDITION OF THE TIRES:  
 IF THE TIRES ARE STILL INFLATED (FUSE PLUGS NOT MELTED), THERE IS A RISK OF TIRE EXPLOSION AND RIM BURST. DO NOT USE COOLING FANS BECAUSE THEY CAN PREVENT OPERATION OF THE FUSE PLUGS.

4 - USE WATER MIST TO DECREASE THE TEMPERATURE OF THE COMPLETE WHEEL AND BRAKE ASSEMBLY. USE A TECHNIQUE THAT PREVENTS SUDDEN COOLING. SUDDEN COOLING CAN CAUSE WHEEL CRACKS OR RIM BURST. DO NOT APPLY WATER, FOAM OR CO2. THESE COOLING AGENTS (AND ESPECIALLY CO2, WHICH HAS A VERY STRONG COOLING EFFECT) CAN CAUSE THERMAL SHOCKS AND BURST OF HOT PARTS.

**LANDING GEAR FIRE:**

**CAUTION:** AIRBUS RECOMMENDS THAT YOU DO NOT USE DRY POWDERS OR DRY CHEMICALS ON HOT BRAKES OR LANDING GEAR FIRES. THESE AGENTS CAN CHANGE INTO SOLID OR ENAMELED DEPOSITS. THEY CAN DECREASE THE SPEED OF HEAT DISSIPATION WITH A POSSIBLE RISK OF PERMANENT STRUCTURAL DAMAGE TO THE BRAKES, WHEELS OR WHEEL AXLES.

1 - IMMEDIATELY STOP THE FIRE:

A) APPROACH THE LANDING GEAR WITH EXTREME CAUTION AND FROM AN OBLIQUE ANGLE IN THE DIRECTION OF THE TIRE SHOULDER. DO NOT GO INTO THE RIM HAZARD AREA AND ONLY GO IN THE TIRE HAZARD AREA WITH CAUTION. IF POSSIBLE, STAY IN A VEHICLE.

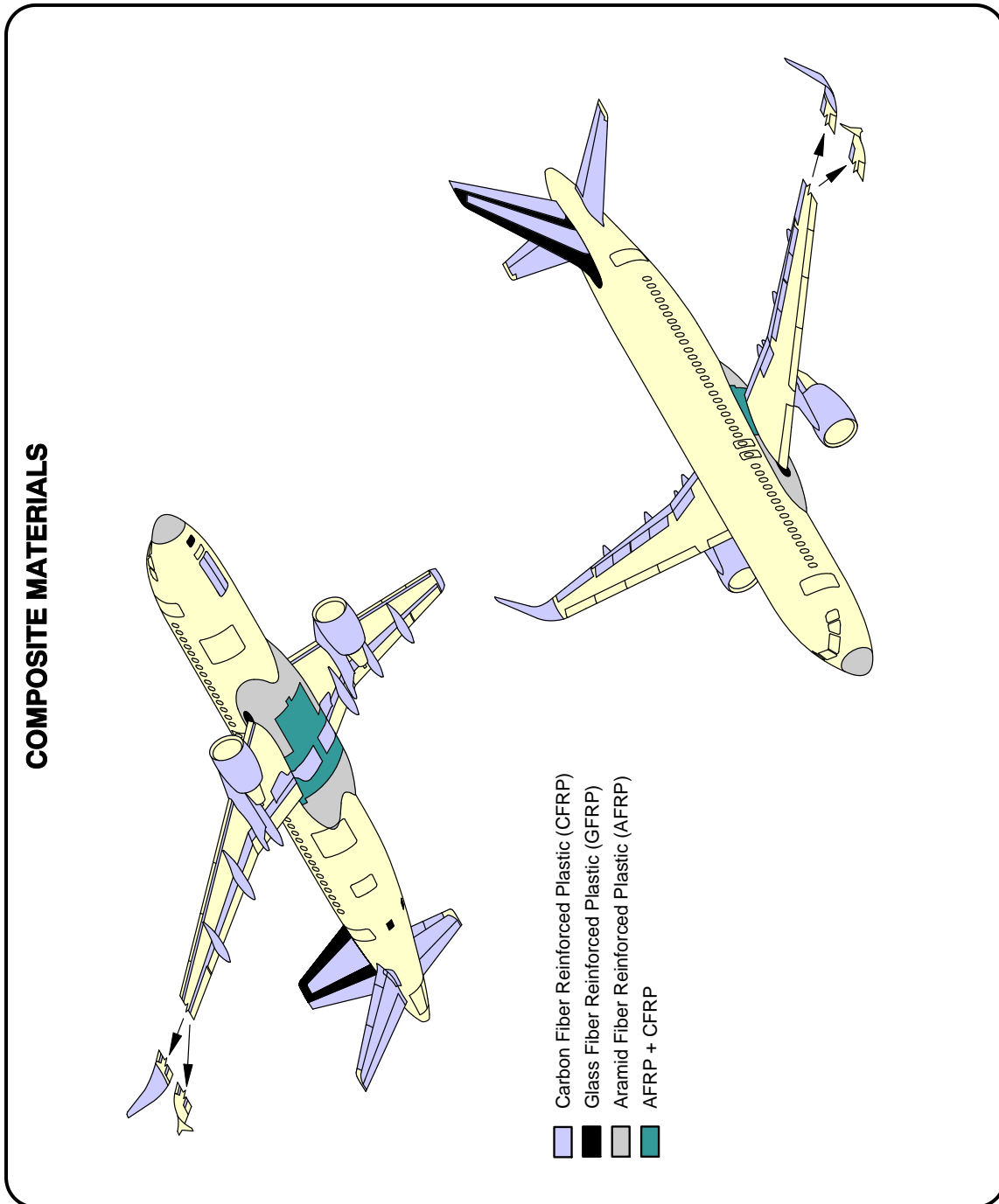
B) USE LARGE AMOUNTS OF WATER. WATER MIST; IF THE FUEL TANKS ARE AT RISK, USE FOAM. USE A TECHNIQUE THAT PREVENTS SUDDEN COOLING. SUDDEN COOLING CAN CAUSE WHEEL CRACKS OR RIM BURST.

C) DO NOT USE FANS OR BLOWERS.

N\_AC\_100000\_1\_0320102\_01\_00

Wheel/Brake Overheat  
 Recommendations (Sheet 2 of 2)  
 FIGURE-10-0-0-991-032-A01

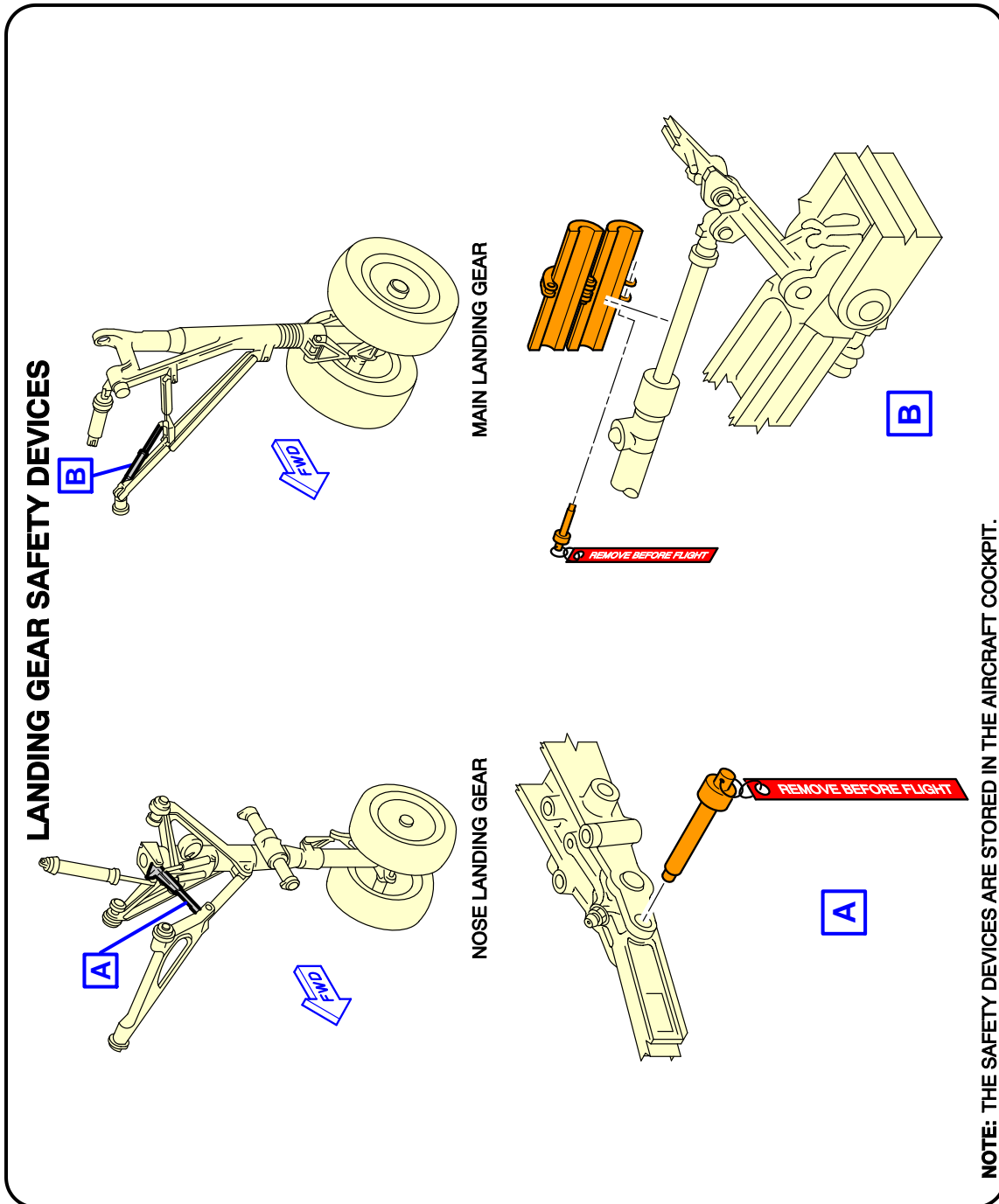
**\*\*ON A/C A320-200 A320neo**



N\_AC\_100000\_1\_0330101\_01\_00

Composite Materials  
FIGURE-10-0-0-991-033-A01

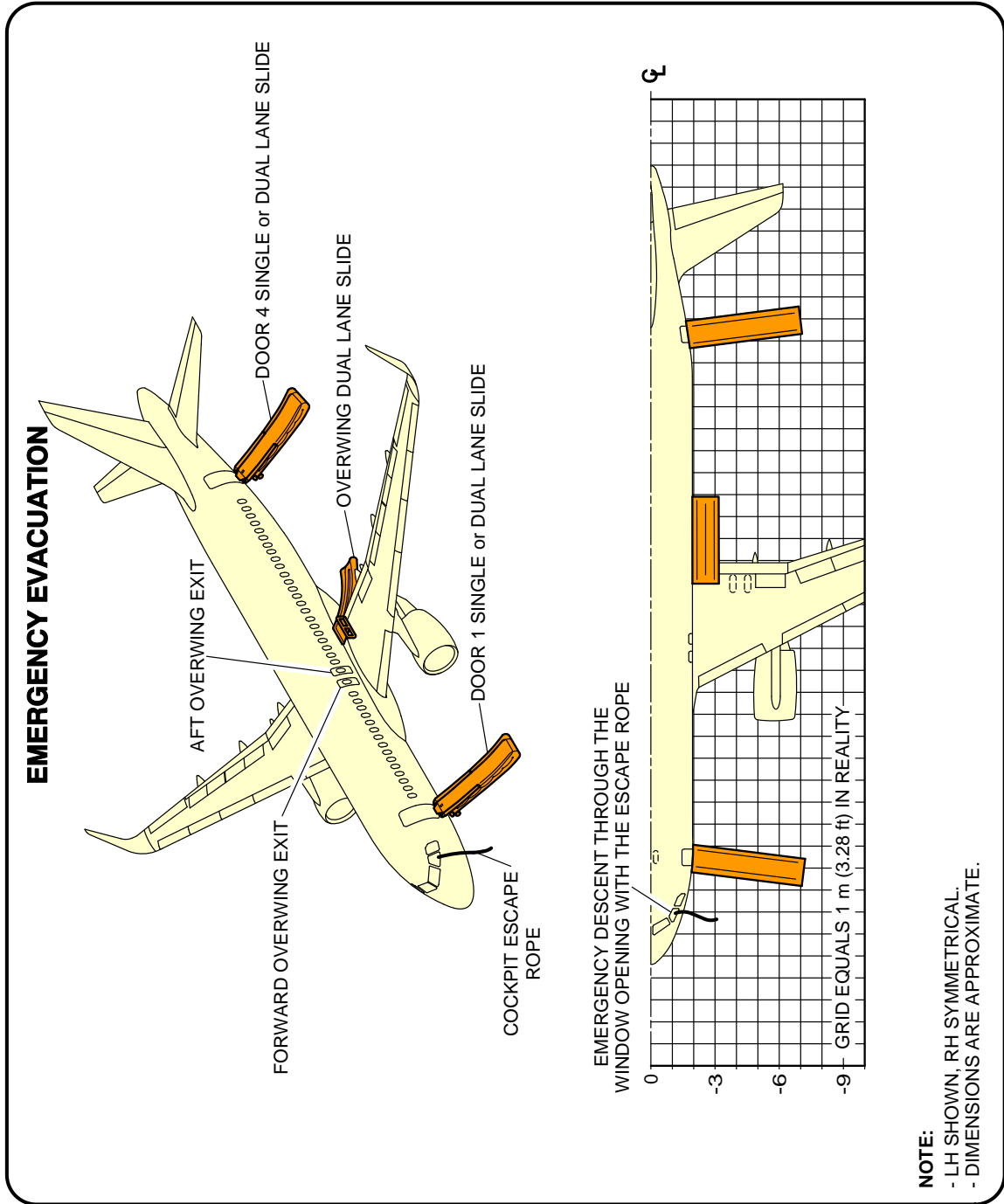
\*\*ON A/C A320-200 A320neo



N\_AC\_100000\_1\_0340101\_01\_01

L/G Ground Lock Safety Devices  
FIGURE-10-0-0-991-034-A01

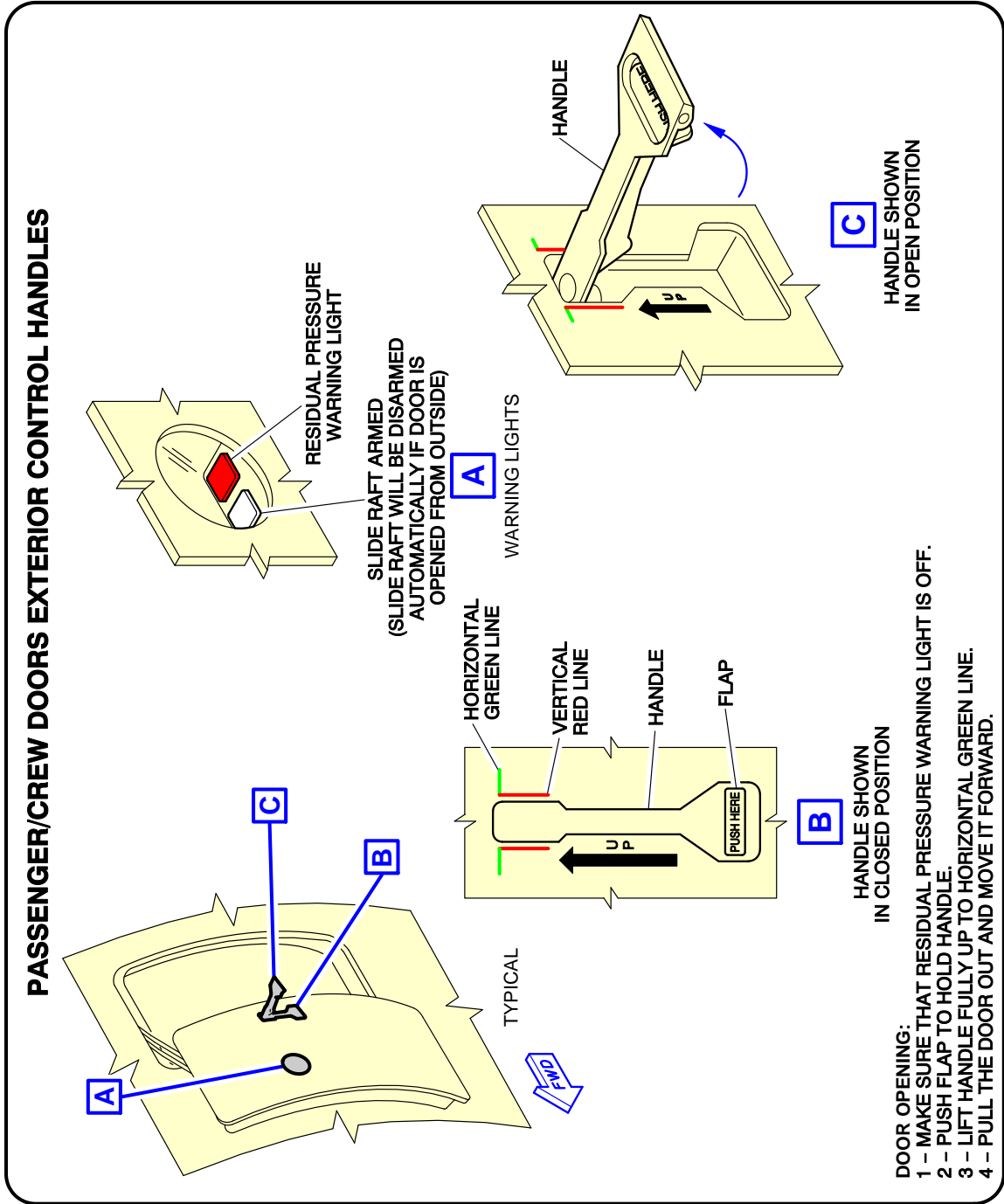
**\*\*ON A/C A320-200 A320neo**



N\_AC\_100000\_1\_0350101\_01\_04

Emergency Evacuation Devices  
 FIGURE-10-0-0-991-035-A01

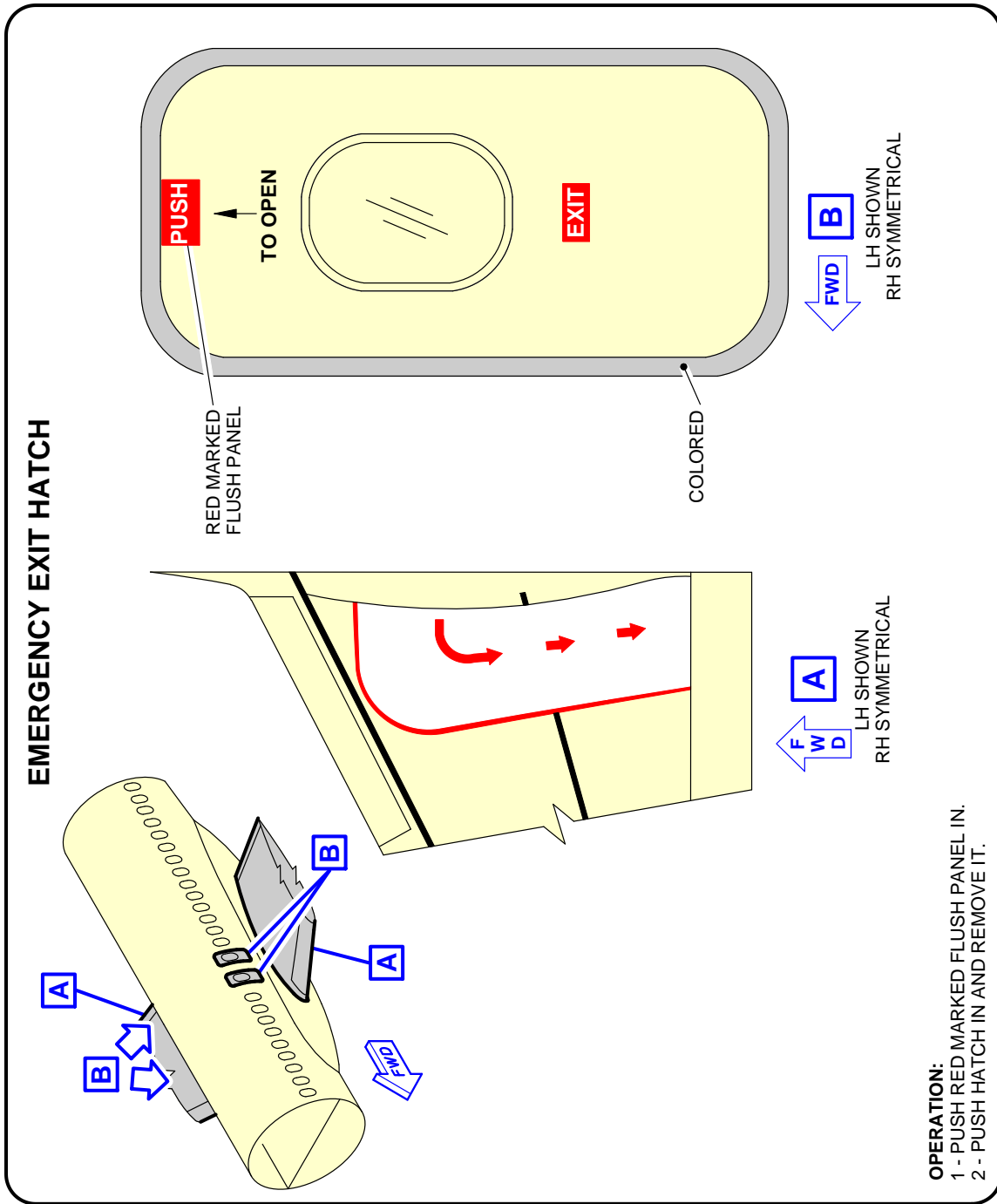
**\*\*ON A/C A320-200 A320neo**



N\_AC\_100000\_1\_0360101\_01\_01

Pax/Crew Doors  
FIGURE-10-0-0-991-036-A01

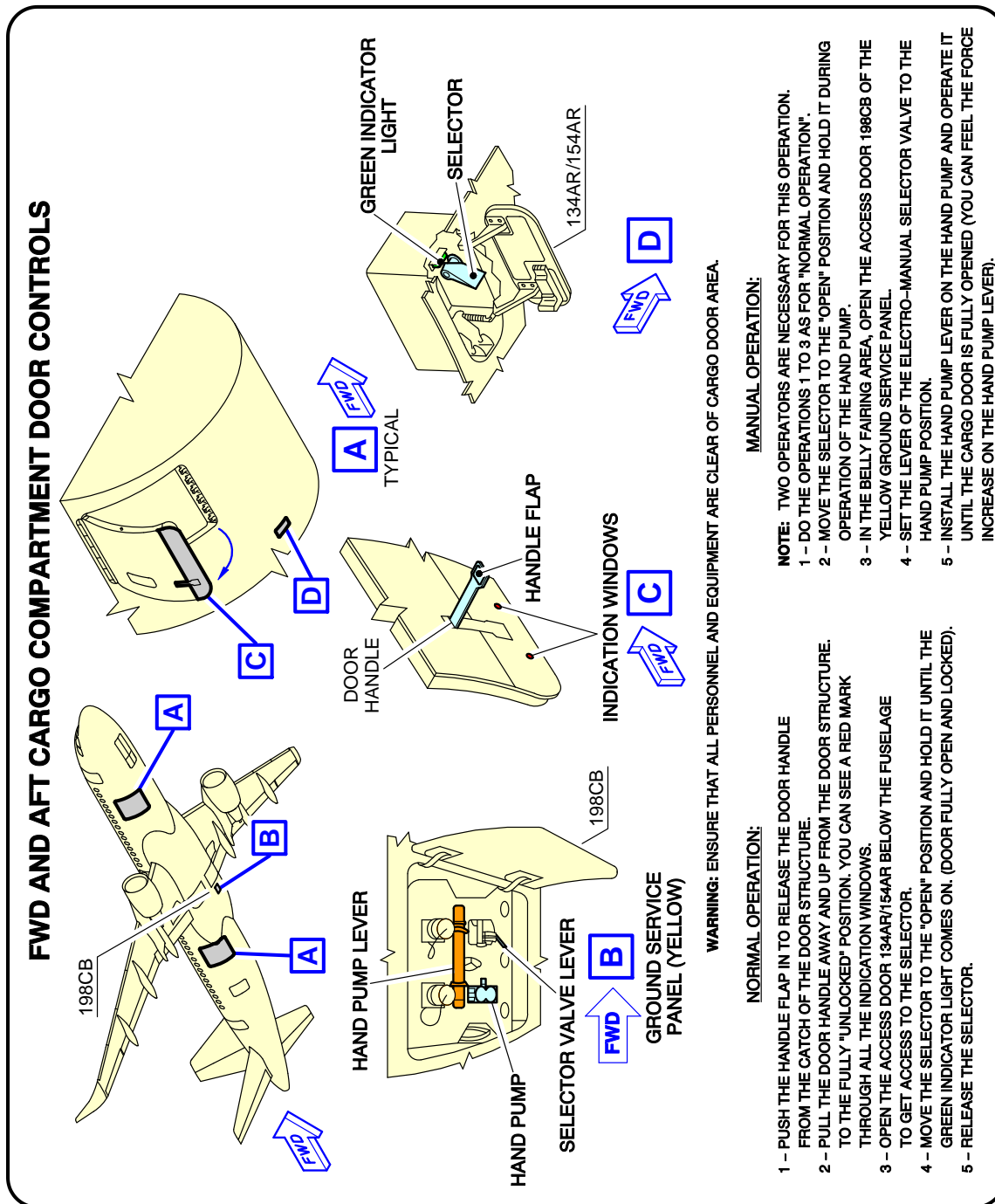
**\*\*ON A/C A320-200 A320neo**



N\_AC\_100000\_1\_0370101\_01\_01

Emergency Exit Hatch  
 FIGURE-10-0-0-991-037-A01

**\*\*ON A/C A320-200 A320neo**



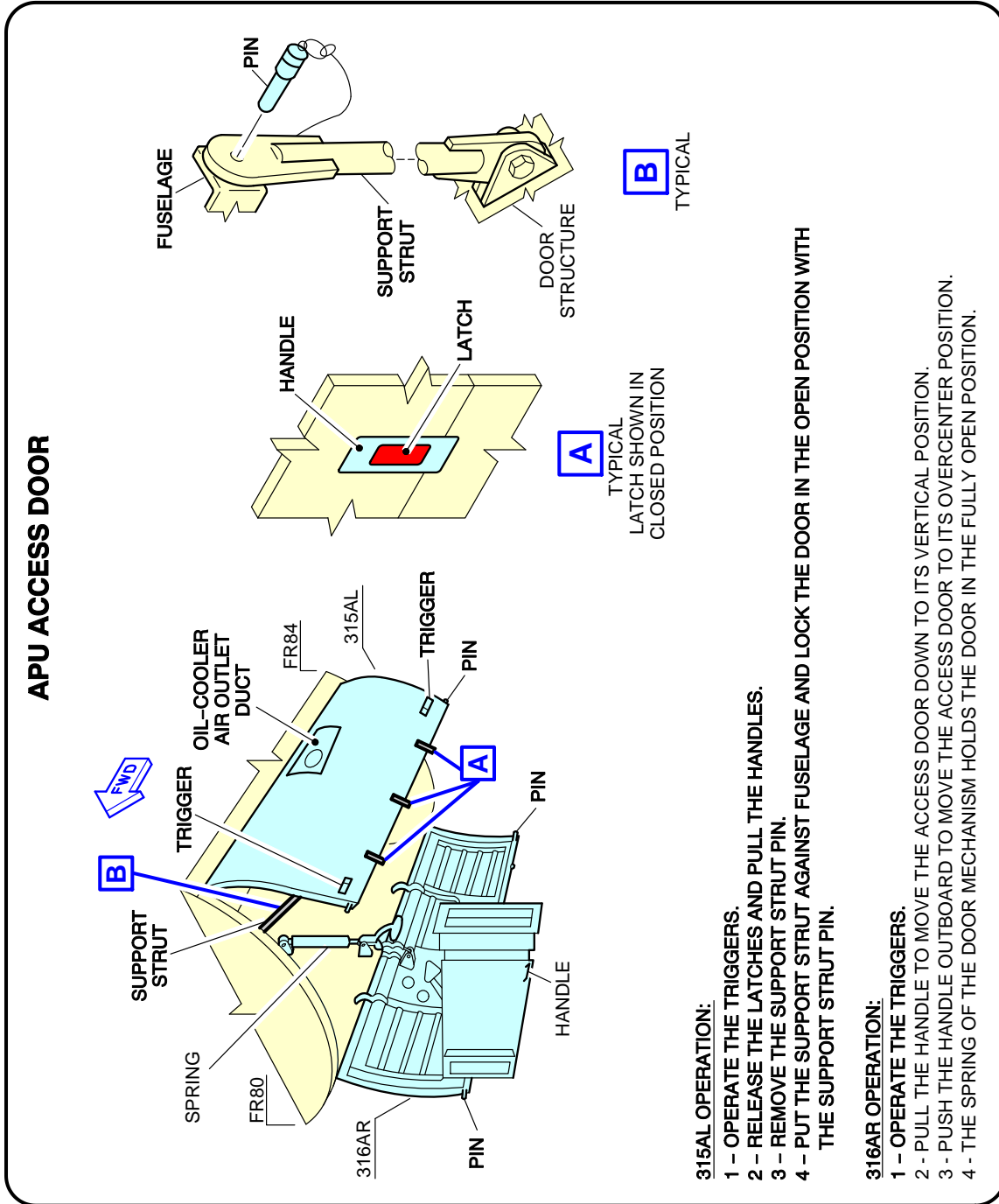
N\_AC\_100000\_1\_0380101\_01\_01

FWD and AFT Lower Deck Cargo Doors  
FIGURE-10-0-0-991-038-A01





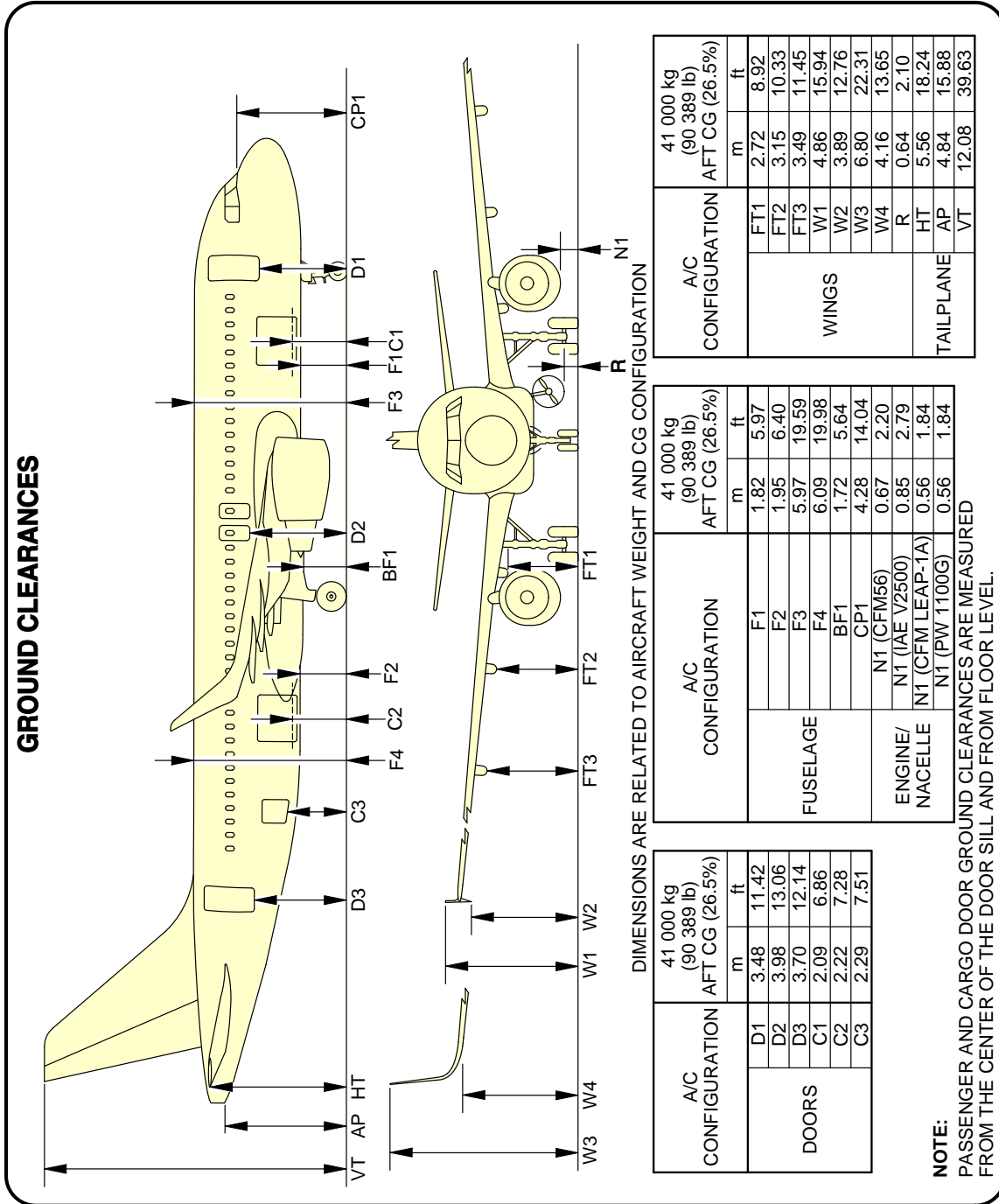
**\*\*ON A/C A320-200 A320neo**



N\_AC\_100000\_1\_0400101\_01\_01

APU Access Door  
FIGURE-10-0-0-991-040-A01

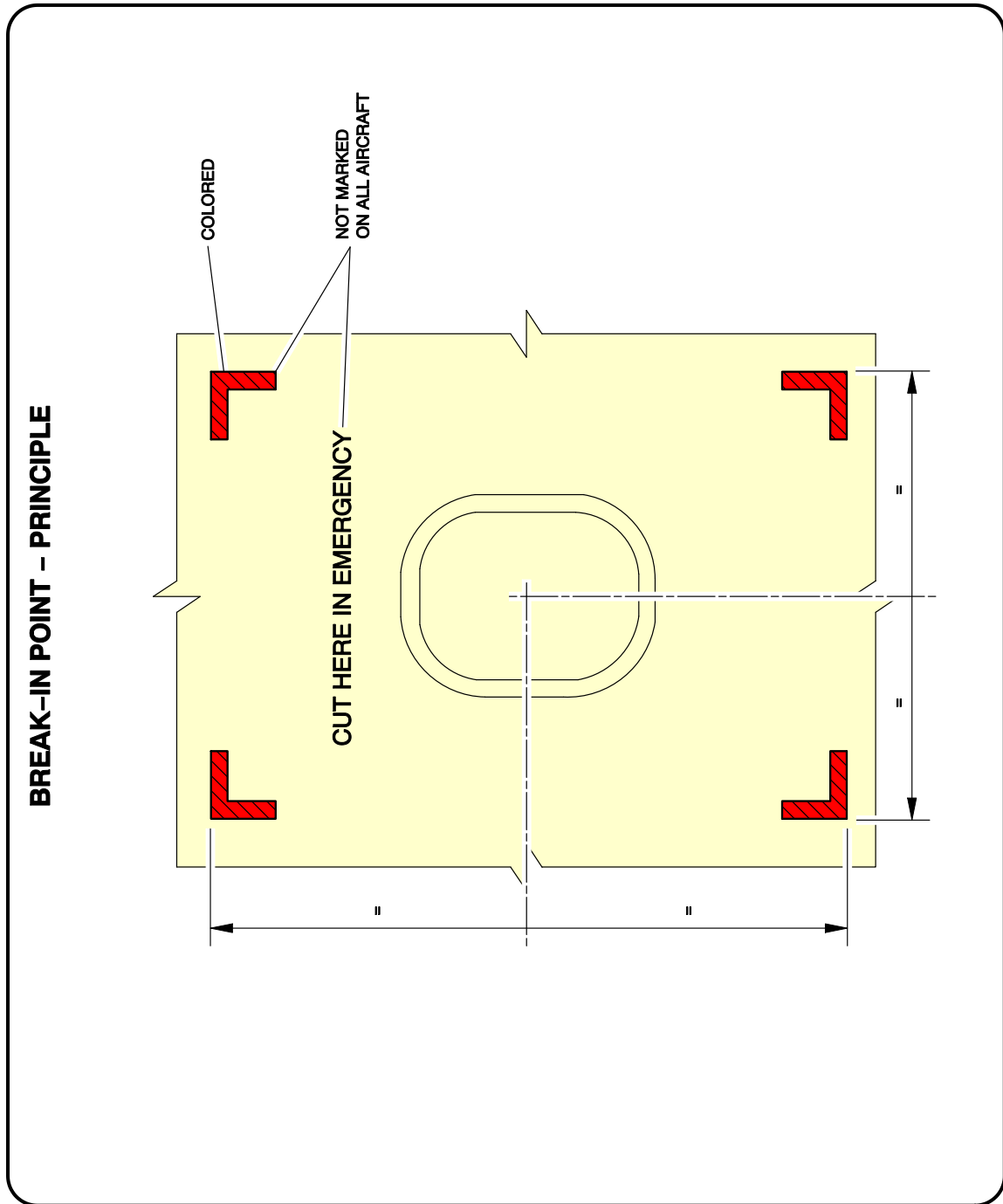
**\*\*ON A/C A320-200 A320neo**



N\_AC\_100000\_1\_0410101\_01\_02

Aircraft Ground Clearances  
FIGURE-10-0-0-991-041-A01

**\*\*ON A/C A320-200 A320neo**



N\_AC\_100000\_1\_0420101\_01\_01

Structural Break-in Points  
FIGURE-10-0-0-991-042-A01